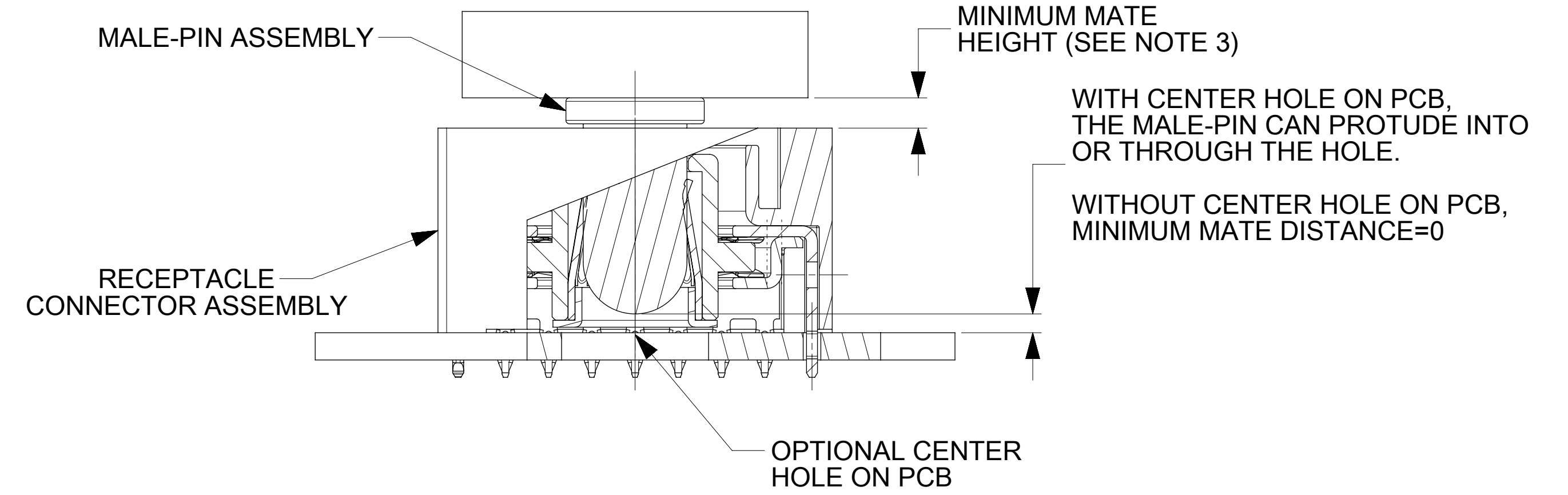
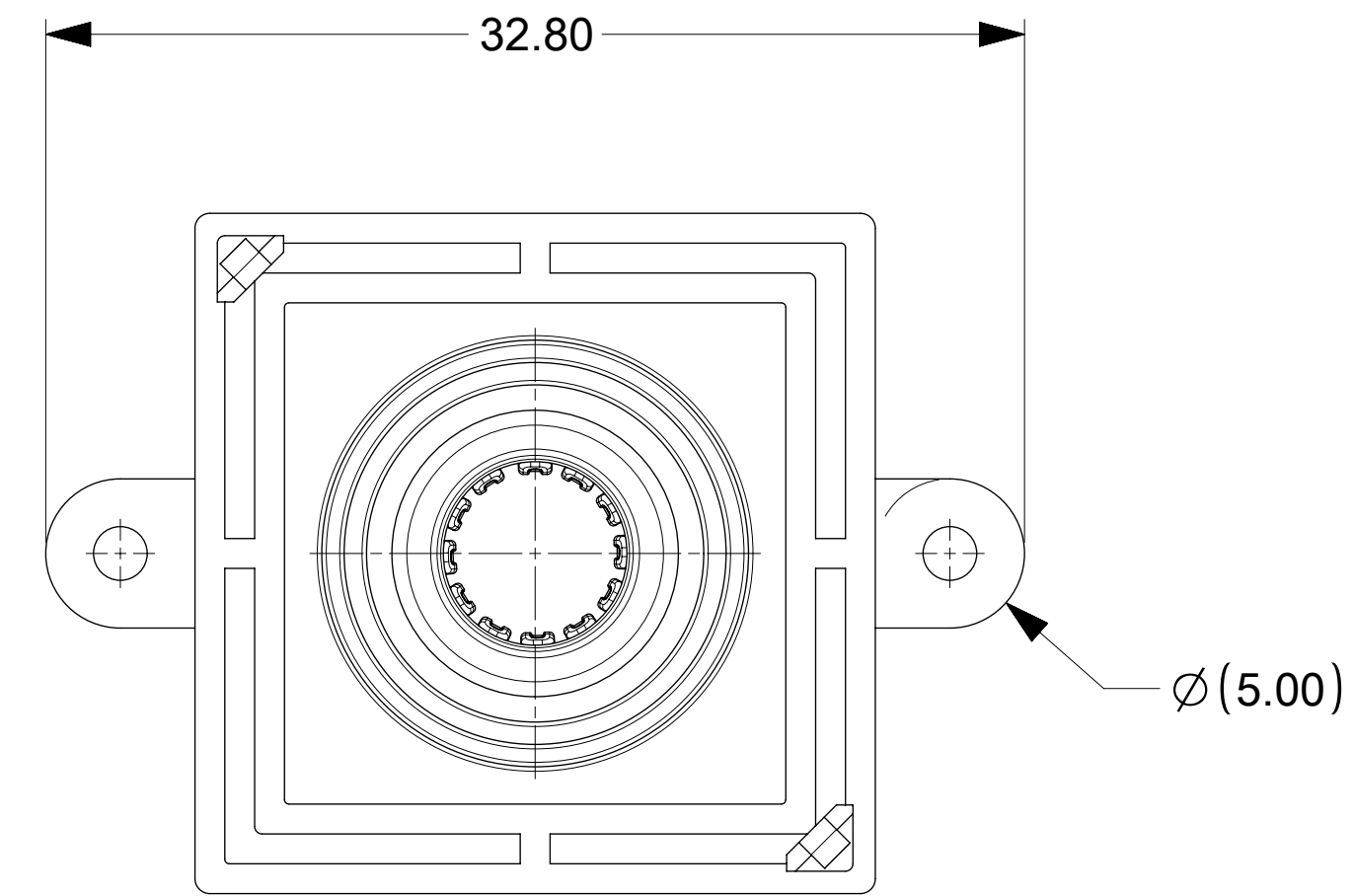
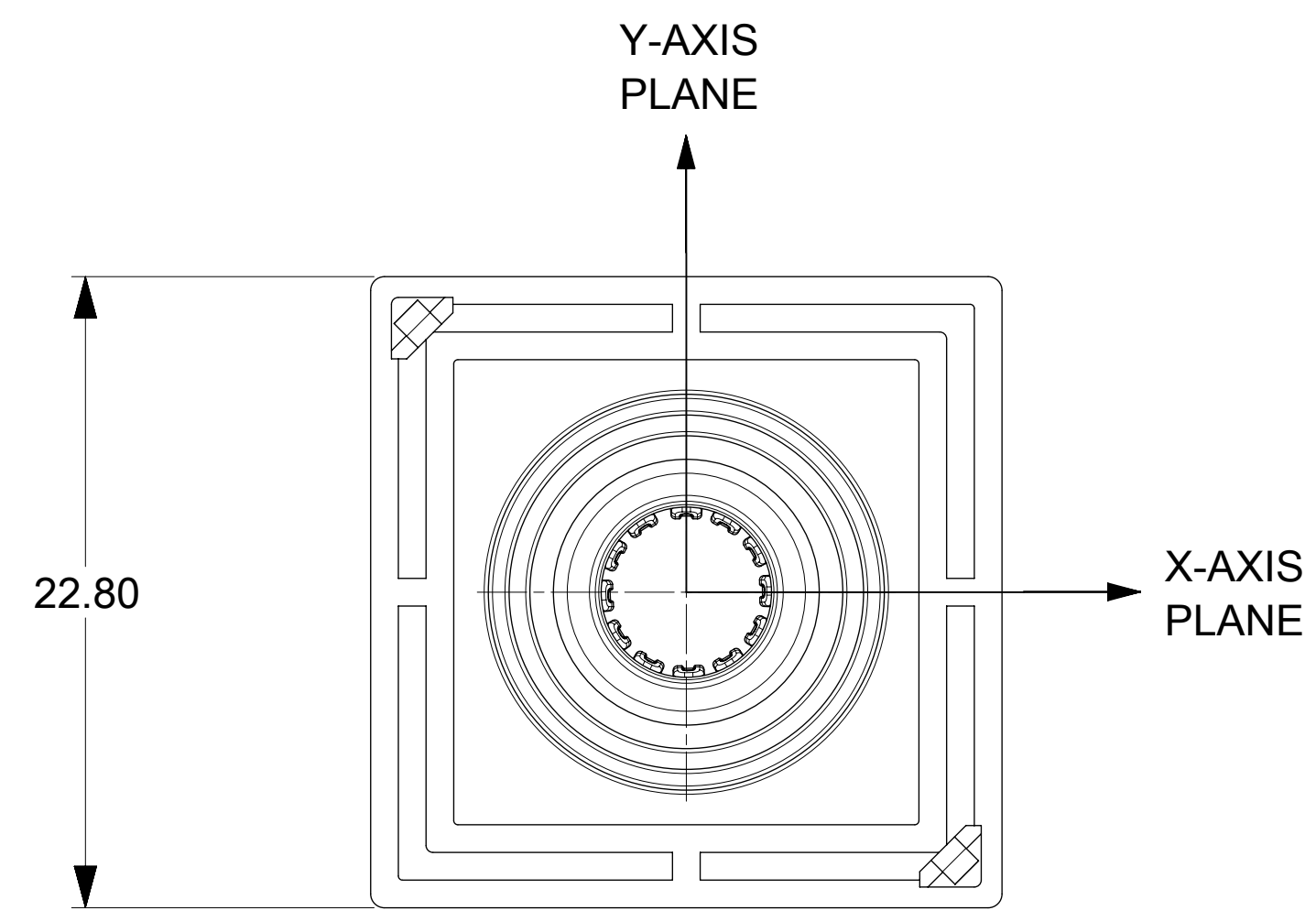


0.05 - 0.30
TO ENSURE COMPLIANT PINS
FULLY INSERTION INTO PCB HOLES
AND TO AVOID THE UNDER OR OVER PRESSING
WHICH MAY AFFECT THE PERFORMANCE



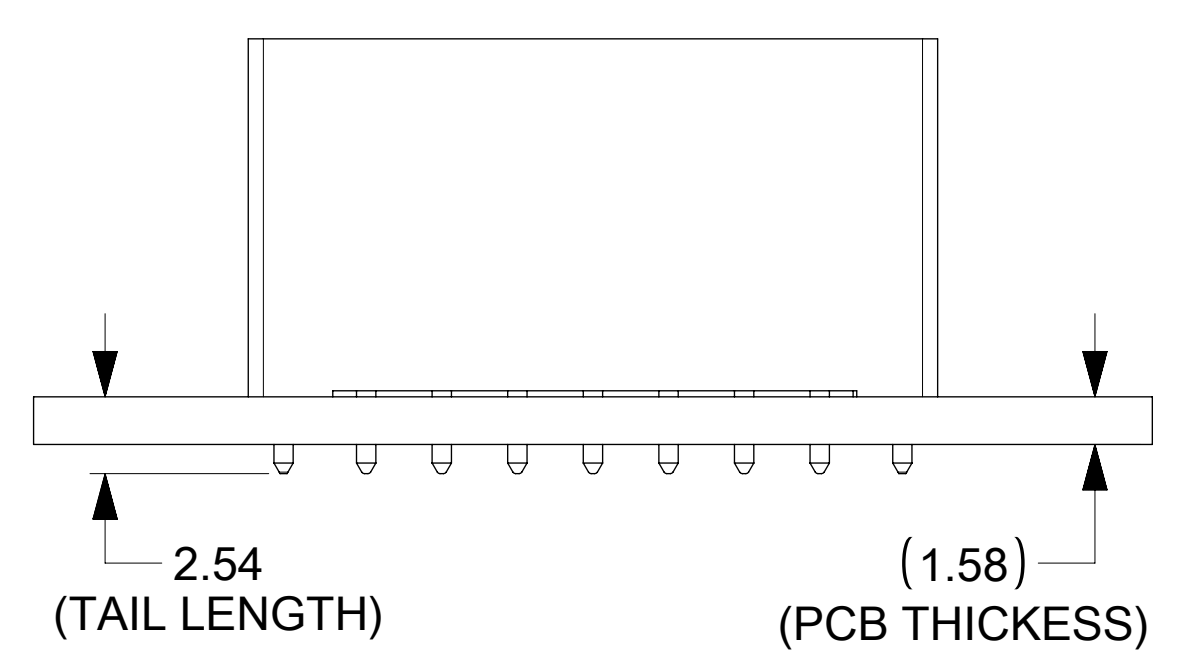
MATED WITH MALE-PIN ASSEMBLY



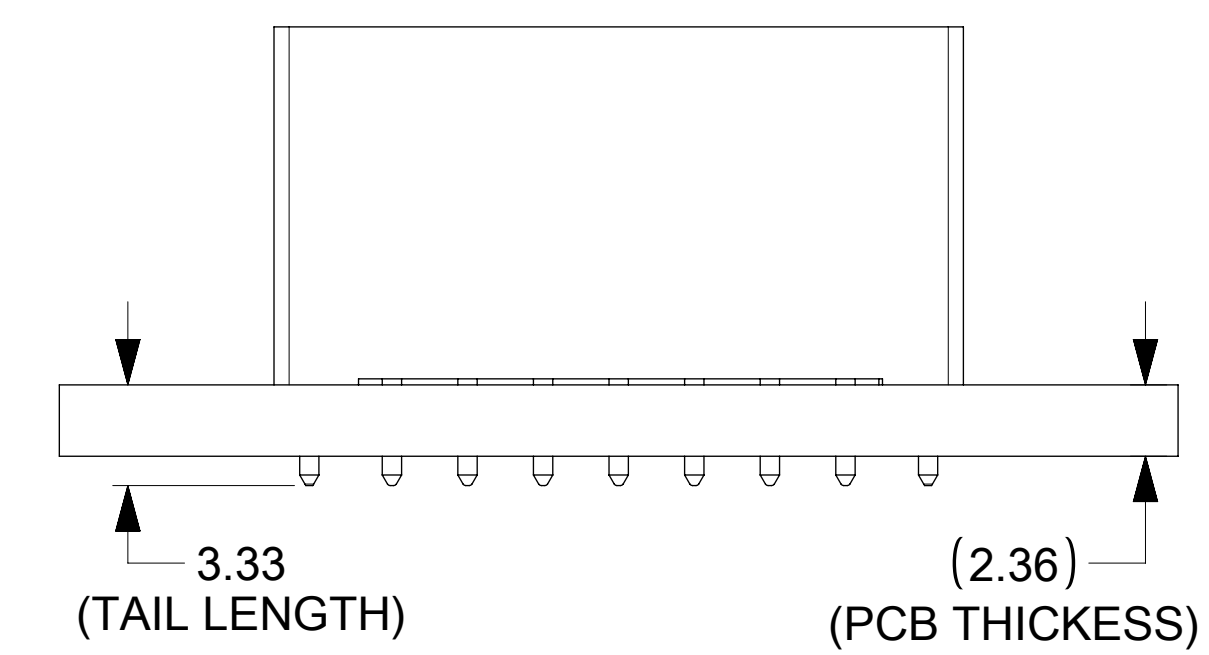
WITH SCREW BOSE
(SEE NOTE 13)

- NOTES:**
- MATERIALS:**
 - TERMINALS & COMPLIANT PINS: COPPER ALLOY
 - POLYMER WITH GLASS FILLED; COLOR:BLACK
 - OTHER COMPONENT: STAINLESS STEEL
 - PLATING:**
 - CONTACT AREA: GOLD.
 - REST AREA: SILVER WITH TARNISH INHIBITOR
 - MATES WITH THE STANDARD PIN DRAWINGS:**
 - 6.0MM SMT DRAWING 2032630136-SD, MIN MATING DISTANCE 3.25MM
 - 6.0MM PRESS FIT DRAWING 2032630006-SD, MIN MATING DISTANCE 2.00MM
 - 6.0MM SCREW MOUNT DRAWING 2032636185-SD, MIN MATING DISTANCE 5.05MM
 - PRODUCT SPECIFICATION:** 2151130000-PS (REFER THIS FOR PLATED THRU HOLE SIZE).
 - APPLICATION SPECIFICATION:** 2151130000-AS
 - PACKAGING SPECIFICATION:** 2151130000-PK
 - SILVER COMPONENTS WILL BE SUPPLIED TARNISH FREE BUT MAY TARNISH OVER TIME.**
 - MAX. OFFSET MATING IS 1.00MM IN ALL DIRECTION WITHIN X-Y PLAN.**
 - RECOMMENDED PCB THICKNESS: REFER TO RESPECTIVE TAIL VIEW / TABLE IN SHEET 2.**
 - MODULE ASSEMBLY IS RoHS COMPLIANT.**
 - MEET COSMETIC SPEC PS-45499-002; CLASS B.**
 - FOR USE WITH '2-32' TYPE AB SELF THREADING SCREWS. MOLEX SCREW P/N 73726-XXXX OF LENGTH X.XXMM. MAX TORQUE IS 4IN-LBS.**
 - ONLY COMPLIANT PIN WITH PLANE HOUSING (PN: 2141320001) IS TOOLED AND ONLY DESIGN EXIST FOR REST ALL PART NUMBERS. REFER TABLE IN SHEET 2 FOR TOOLING STATUS. CONTACT MOLEX FOR MORE INFORMATION.**

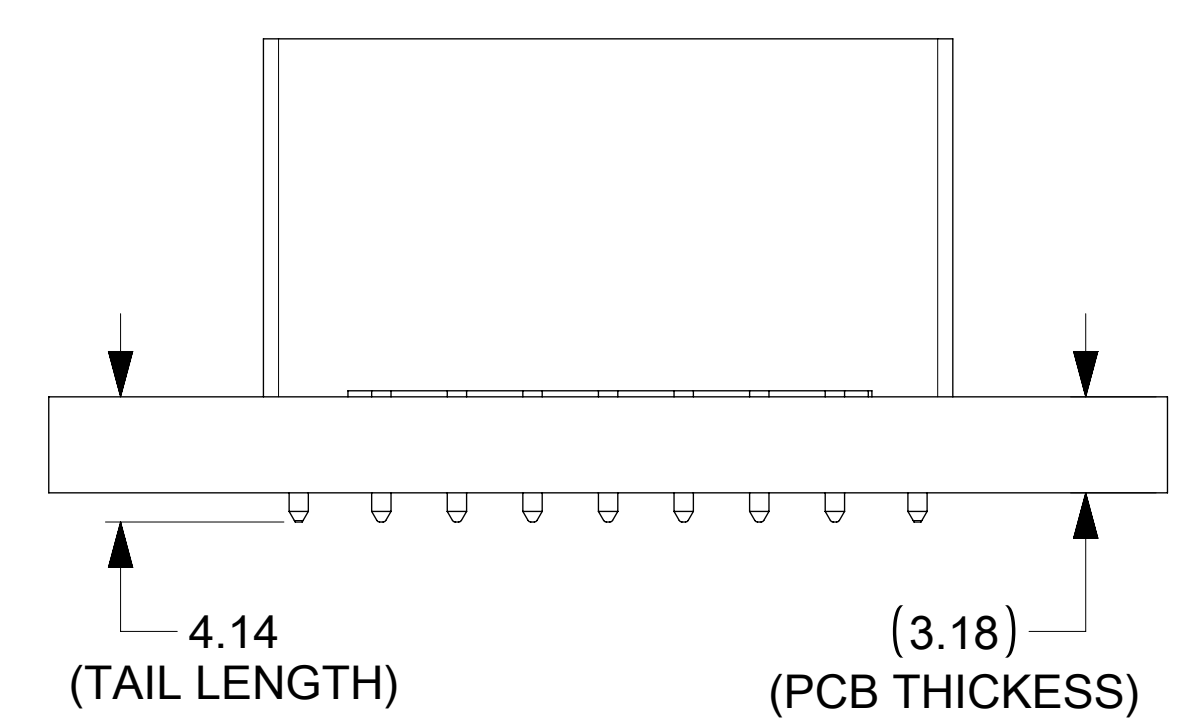
SOLDER-TAIL VERSION (NOT TOOLED) (SEE NOTE 13)



FOR .062" PCB



FOR .093" PCB

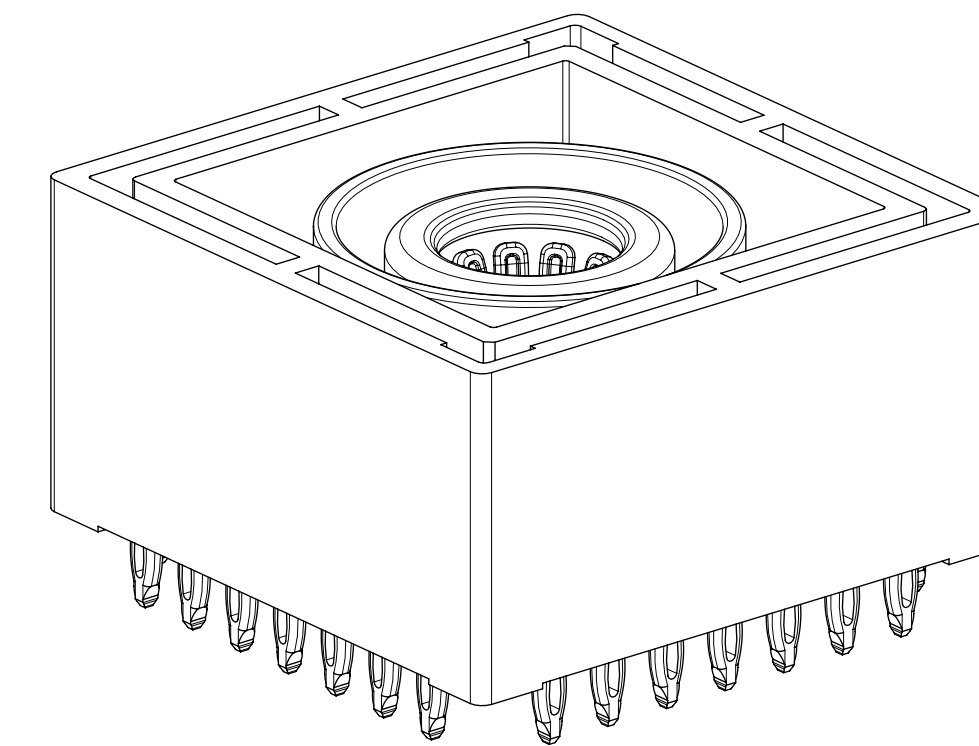
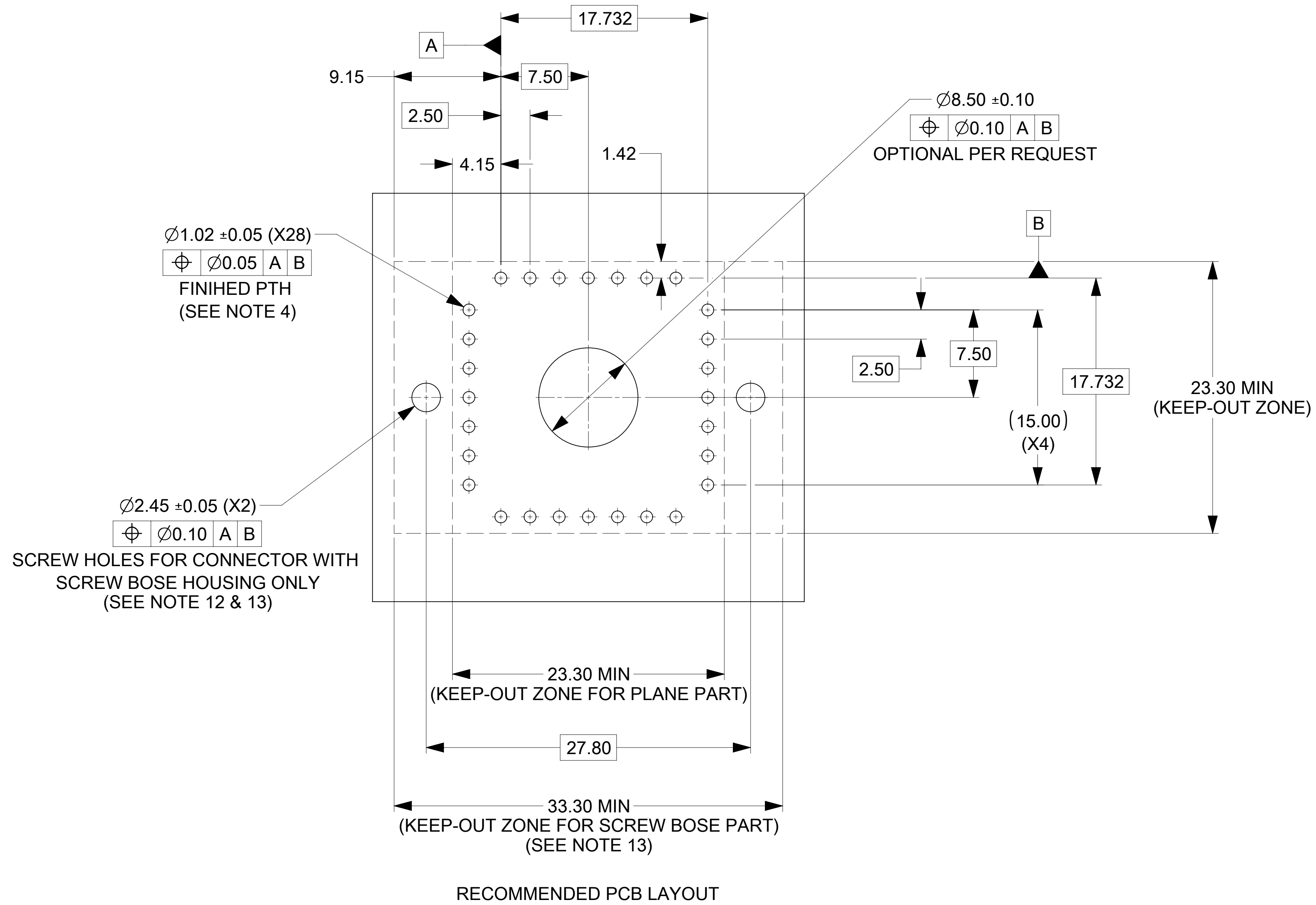


FOR .125" PCB

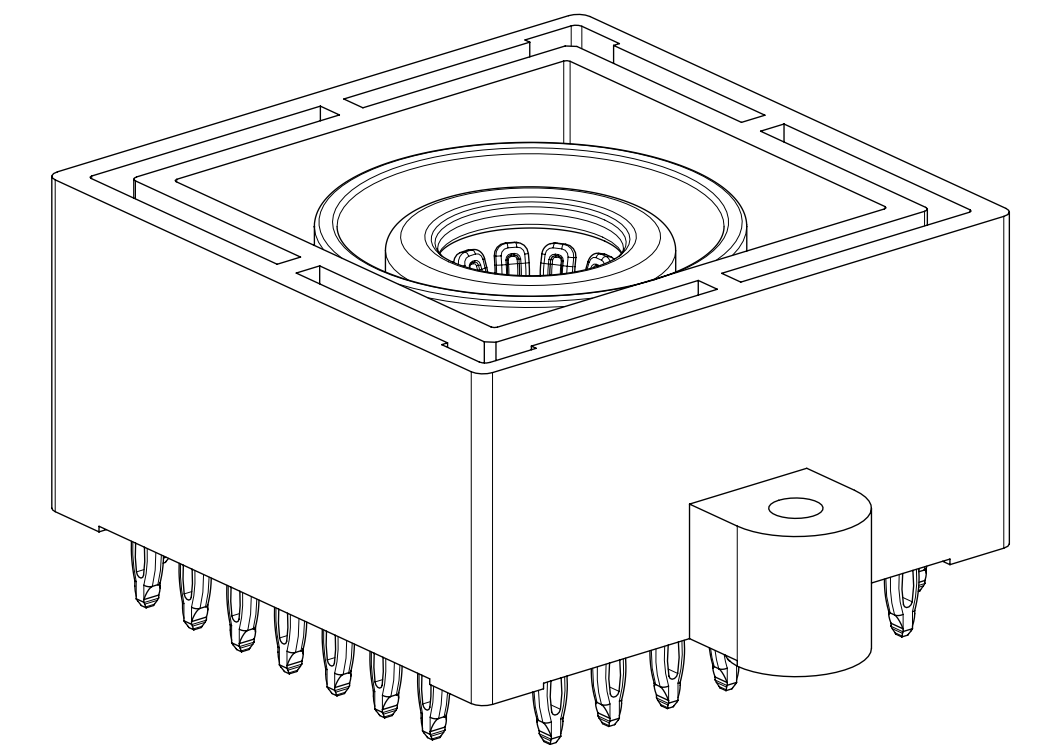
THIS DRAWING CONTAINS INFORMATION THAT IS PROPRIETARY TO MOLEX ELECTRONIC TECHNOLOGIES, LLC AND SHOULD NOT BE USED WITHOUT WRITTEN PERMISSION

DIMENSION UNITS	SCALE	CURRENT REV DESC: UPDATED GENERIC TOLERANCE.		molex			
mm	4:1						
GENERAL TOLERANCES (UNLESS SPECIFIED)		EC NO: 692327		ASSEMBLY, COMPLIANT PIN & SOLDER LEG 6.00MM COEUR CENTRALITY EON, WITH FLOAT			
ANGULAR TOL ± °		DRWN: SCS02 2021/12/16					
4 PLACES ±		CHK'D: JJONIAK 2022/01/20		PRODUCT CUSTOMER DRAWING			
3 PLACES ±		APPR: JJONIAK 2022/01/20					
2 PLACES ± 0.38		INITIAL REVISION:		DOCUMENT NUMBER			
1 PLACE ± 0.25		DRWN: MZHANG162 2020/02/04					2151130000-SD
0 PLACES ±		APPR: BPISZCZOR 2021/05/12		PSD 000 A3			
DRAFT WHERE APPLICABLE MUST REMAIN WITHIN DIMENSIONS		THIRD ANGLE PROJECTION	DRAWING				SERIES
			D-SIZE	215113	SEE TABLE	GENERAL MARKET	1 OF 2

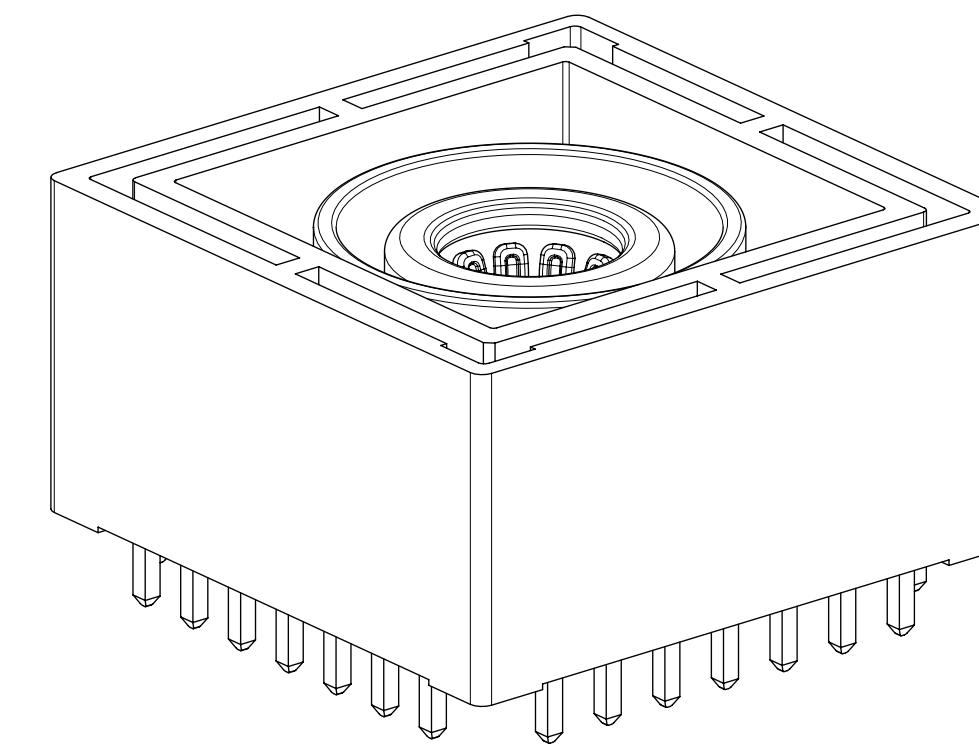
DOCUMENT STATUS	P1	RELEASE DATE	2022/01/20	15:18:12
-----------------	----	--------------	------------	----------



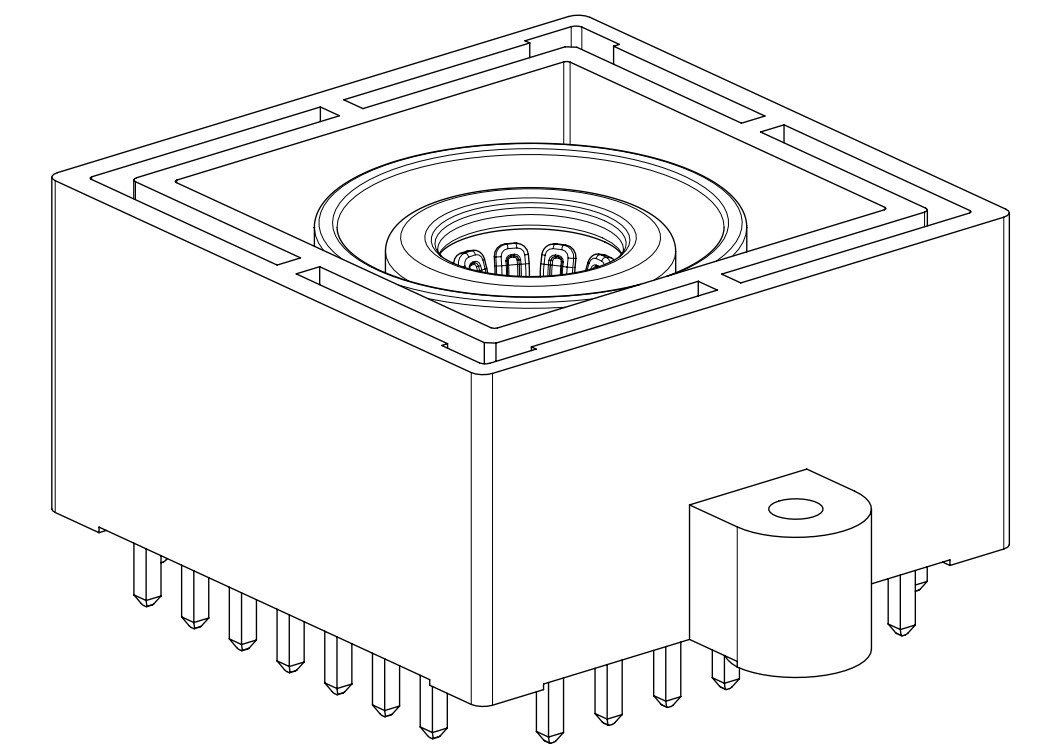
COMPLIANT-PIN ASSEMBLY
WITH PLANE HOUSING
(PN: 215113-0001)



COMPLIANT-PIN ASSEMBLY
WITH SCREW BOSS HOUSING
(PN: 215113-0005)
(SEE NOTE 13)



SOLDER-TAIL ASSEMBLY
WITH PLANE HOUSING
(PN: 215113-0002)
(SEE NOTE 13)



SOLDER-TAIL ASSEMBLY
WITH SCREW BOSS HOUSING
(PN: 215113-0006)
(SEE NOTE 13)

PART NUMBER	TERMINATION STYLE	SCREW BOSS	PCB THICKNESS	TOOLING STATUS
215113-0001	COMPLIANT PIN (FOR .062" MIN PCB)	NO	1.58 MM MIN.	TOOLED
215113-0002	SOLDER TAIL (FOR .062" PCB)		1.58 MM	NOT TOOLED
215113-0003	SOLDER TAIL (FOR .093" PCB)		2.36 MM	
215113-0004	SOLDER TAIL (FOR .125" PCB)		3.18 MM	
215113-0005	COMPLIANT PIN (FOR .062" MIN PCB)	YES	1.58 MM MIN.	
215113-0006	SOLDER TAIL (FOR .062" PCB)		1.58 MM	
215113-0007	SOLDER TAIL (FOR .093" PCB)		2.36 MM	
215113-0008	SOLDER TAIL (FOR .125" PCB)		3.18 MM	

THIS DRAWING CONTAINS INFORMATION THAT IS PROPRIETARY TO MOLEX ELECTRONIC TECHNOLOGIES, LLC AND SHOULD NOT BE USED WITHOUT WRITTEN PERMISSION

DIMENSION UNITS	SCALE	CURRENT REV DESC: UPDATED GENERIC TOLERANCE.		molex		
mm	4:1					
GENERAL TOLERANCES (UNLESS SPECIFIED)		EC NO: 692327		ASSEMBLY, COMPLIANT PIN & SOLDER LEG 6.00MM COEUR CENTRALITY EON, WITH FLOAT		
ANGULAR TOL	± °	DRWN: SCS02 2021/12/16		PRODUCT CUSTOMER DRAWING		
4 PLACES	±	CHK'D: JJONIAK 2022/01/20		DOCUMENT NUMBER		
3 PLACES	±	APPR: JJONIAK 2022/01/20		DOC TYPE		
2 PLACES	± 0.38	INITIAL REVISION:		DOC PART		
1 PLACE	± 0.25	DRWN: MZHANG162 2020/02/04		REVISION		
0 PLACES	±	APPR: BPISZCZOR 2021/05/12		2151130000-SD		
DRAFT WHERE APPLICABLE MUST REMAIN WITHIN DIMENSIONS		THIRD ANGLE PROJECTION	DRAWING	SERIES	MATERIAL NUMBER	CUSTOMER
			D-SIZE	215113	SEE TABLE	GENERAL MARKET
						SHEET NUMBER
						2 OF 2