

UM10766

User manual for the I2C-bus RTC PCF85263A demo board
OM13510

Rev. 3 — 2 May 2016

User manual

Document information

Info	Content
Keywords	PCF85263, OM13510, demo board, how to get started, I ² C-bus, RTC, Real-Time Clock, tuning, time stamp, battery switch, elapsed time counter
Abstract	User manual for the RTC I ² C-bus demo board OM13510 which contains the PCF85263A



Revision history

Rev	Date	Description
v.3	20160502	Fig 4 : Corrected ID mark
v.2	20151103	Revised user manual
v.1	20131115	new user manual, first revision

Contact information

For more information, please visit: <http://www.nxp.com>

For sales office addresses, please send an email to: salesaddresses@nxp.com

1. Introduction

The PCF85263A is part of the PCF85x63 family of CMOS Real-Time Clocks (RTCs optimized for low power consumption). Different features sets are available.

The OM13510 is the ideal evaluation and demo board to be used in the design phase of any project; just power and I²C-bus must be connected.

A separate dedicated demo board and a user manual is available for the I²C-bus RTCs PCF85063ATL and PCF85063TP: OM11059A and UM10698

2. Key features

2.1 Demo board OM13510

The RTC PCF85263ATL with I²C-bus is mounted together with a quartz crystal, a lithium battery plus the blocking capacitor, buffering the supply voltage. A push button allows activating the time stamp. All signals are accessible on a line of pins, overcoming the difficulties to contact the tiny package directly.

2.2 Real time clock PCF85263A

- Very small form factor: leadless package (DFN2626-10 for PCF85263ATL) just 2.6 × 2.6 × 0.5 mm, SO8, TSSOP8 and TSSOP10 packages will be released too.
- Counting: 100th seconds, seconds, minutes, hours, days, week days, month and years
- Three timestamp register sets
- Battery back-up circuit, accepting battery voltage larger or smaller than V_{DD}
- The oscillator is based on a 32.768 kHz quartz crystal
- Stop-watch mode for elapsed time counting. From 0 to 999'999 hours with a resolution of 1/100 second.
- Two independent alarms
- WatchDog timer
- Two independent interrupt generators/outputs
- Generates an interrupt automatically every second or every minute, independent of alarm facility
- Programmable offset register for frequency adjustment to compensate quartz tolerance

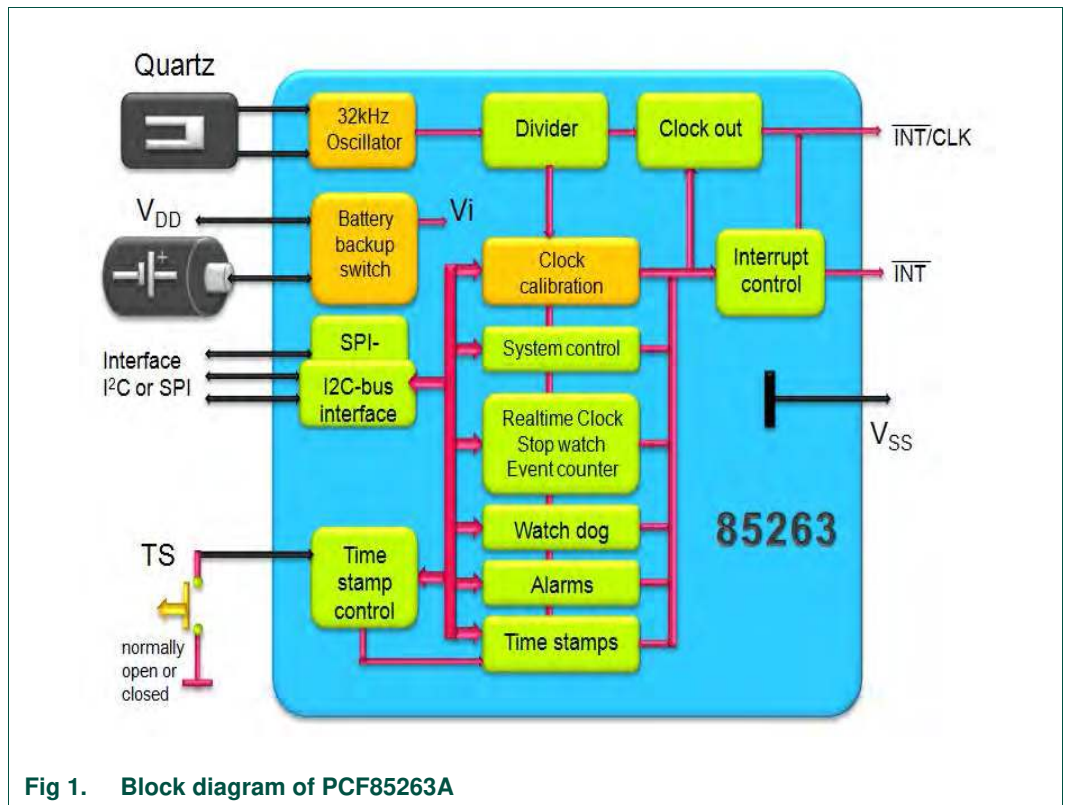


Fig 1. Block diagram of PCF85263A

3. Hardware set-up

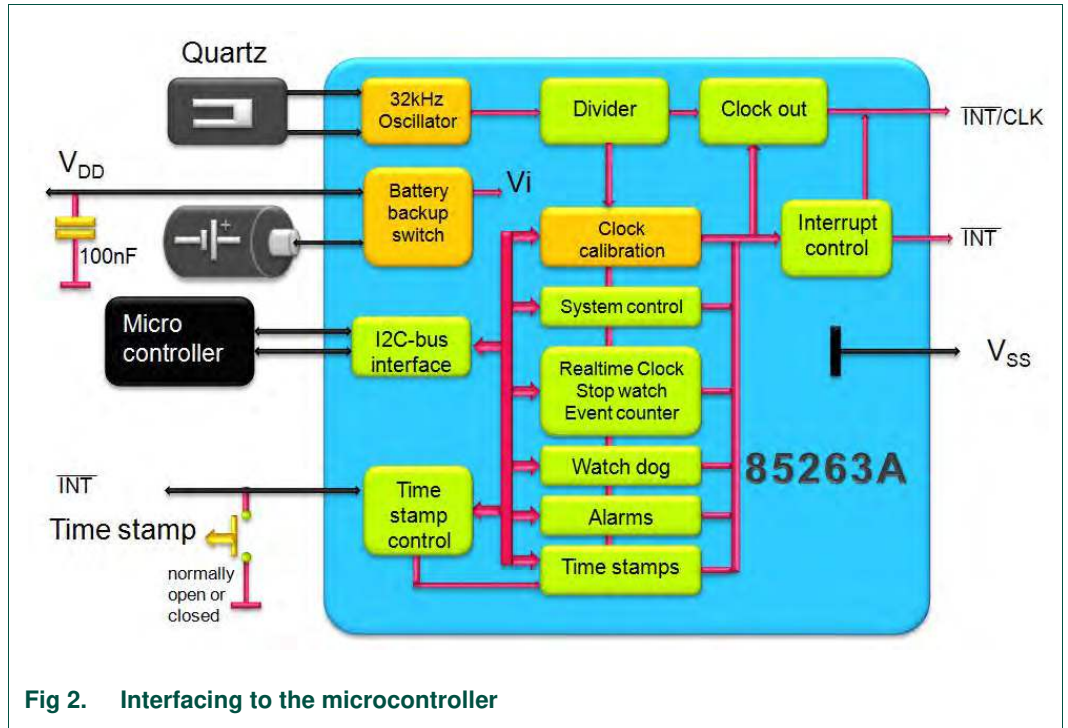
3.1 General requirement for the RTC PCF85263A

The RTC circuit just requires one external part: tuning fork quartz as resonator. The oscillation capacitors are integrated and therefore there is no need for external capacitors. The quartz crystal must be placed close to the RTC circuit, avoiding long lines which may pick up noise. Avoid any tracks with high frequency signals (fast edges) close to the RTC, quartz, or quartz interconnect.

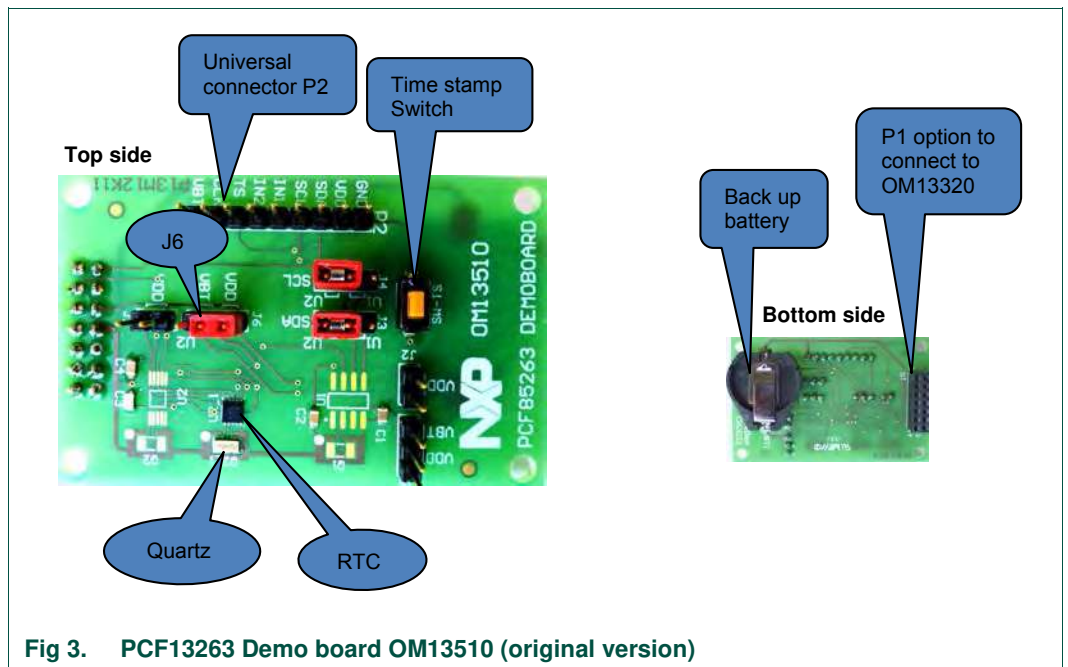
The I²C-bus interface works up to 400 kHz. Supply voltage: 1.8 V to 5.5 V. The RTC, excluding the I²C-bus interface, is however operating down to a lower voltage. It is recommended to have a decoupling capacitor of 100 nF on the V_{DD}-V_{SS} rails close by.

Due to the low power consumption of below 1 μW, no precautions for heat dissipations are required, even in sealed housing environment.

Frequencies of 1 Hz to 32.768 kHz at CLKOUT can be used to measure the frequency for calibration and/or be used for general purpose e.g. as reference for frequency generation with a PLL.



3.2 Demo boards for OM13510



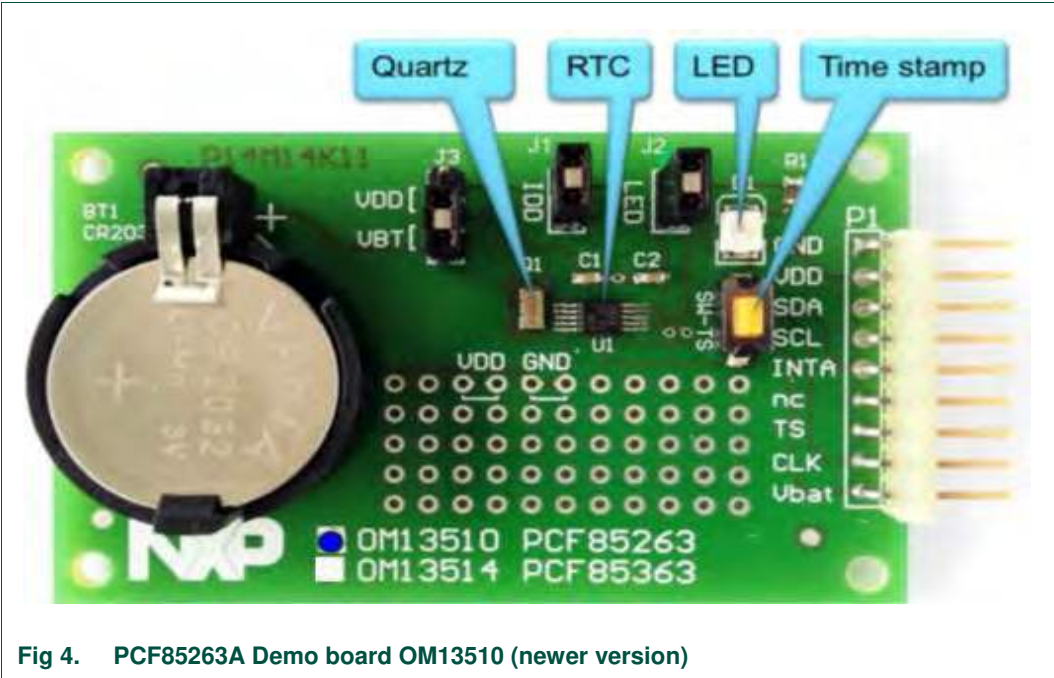


Fig 4. PCF85263A Demo board OM13510 (newer version)

3.3 Out of the box

Connect to:

- Hardware start-up: all pins are accessible on connector P2
 - GND and V_{DD}, 3 V to 5.5 V
 - Connect I²C-bus: SDA, SCL pull ups assumed on I²C master board

Optional

- Activate coin-cell battery by setting Jumper J6 to VBT
- Connect interrupt(s)
- Connect CLK-out. After power up, 32 kHz is the output to calibrate the oscillator or it may be used as reference frequency
- Time stamp
 - With TS push button a time stamp can be initiated
 - The TS input must be configured for a mechanical switch: therefore set the TSIM bit = 1
- Software start-up:
 - I²C-bus address: 1010 001R/W
 - Write oscillator calibration value: register 24h
 - Set parameters: registers 25h to 2Bh
 - Write actual time: registers 00h to 07h

Read current time: registers 00h to 07h

3.4 Demo board features

- Straight forward evaluation of the new tiny RTC PCF85263 with
 - Battery back-up
 - 2 alarm facilities with 2 configurable interrupt outputs
 - Time stamp
 - Tracking time or stopwatch, with 1/100 s resolution
- Easy access to all pins despite of the tiny package:
 - Connector P2 100mil (2.54 mm) pin pitch
 - Access to all pins
- Battery on board for autonomous operation
 - Can be switched off
- Interfacing with the FM+ development board OM13320
 - Connector P1
- Push bottom to trigger time stamp
- Easy measurements of power consumption

- Jumper J2 to open to link in μ A-meter
- Future boards may include alternative packages

4. Circuit diagram

4.1 Demo board circuit diagram

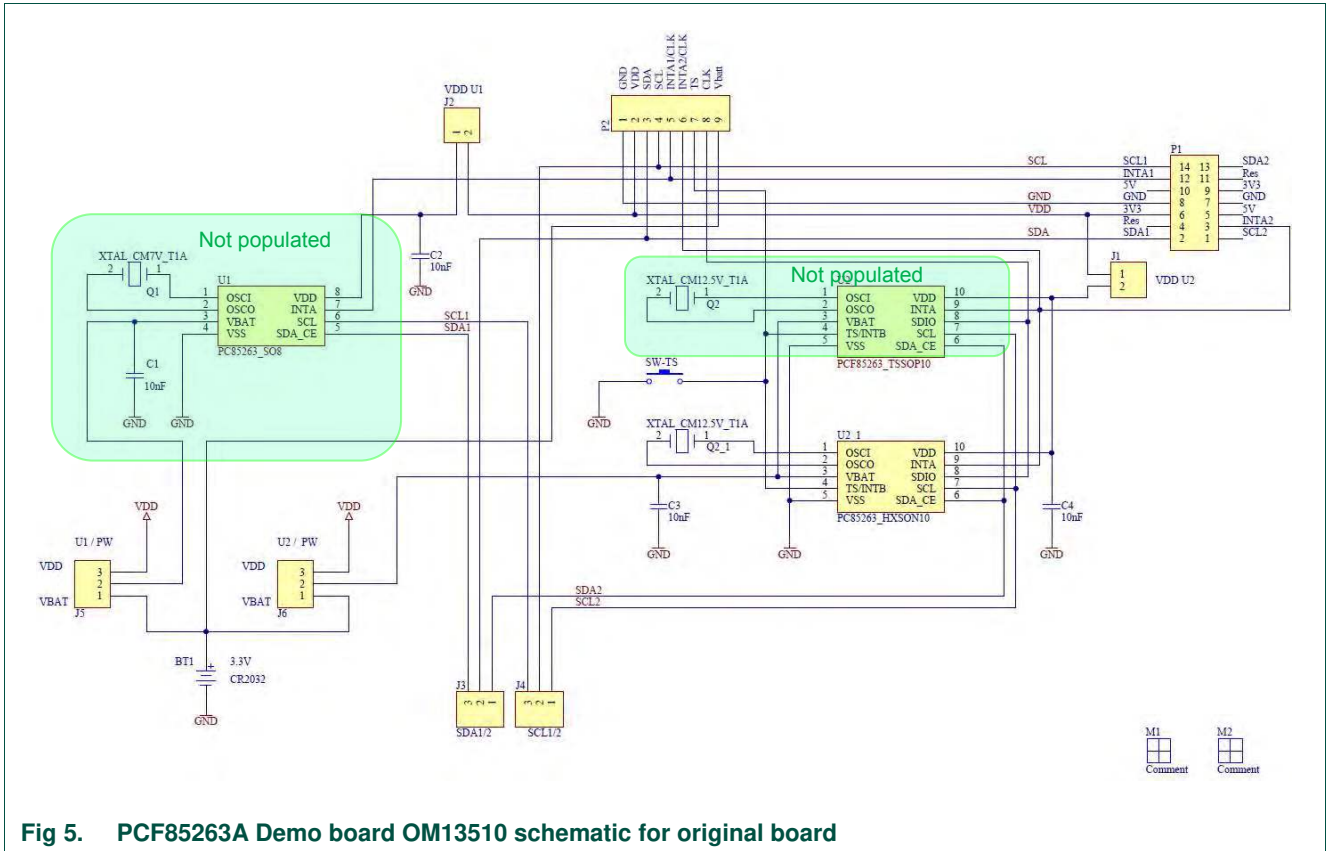


Fig 5. PCF85263A Demo board OM13510 schematic for original board

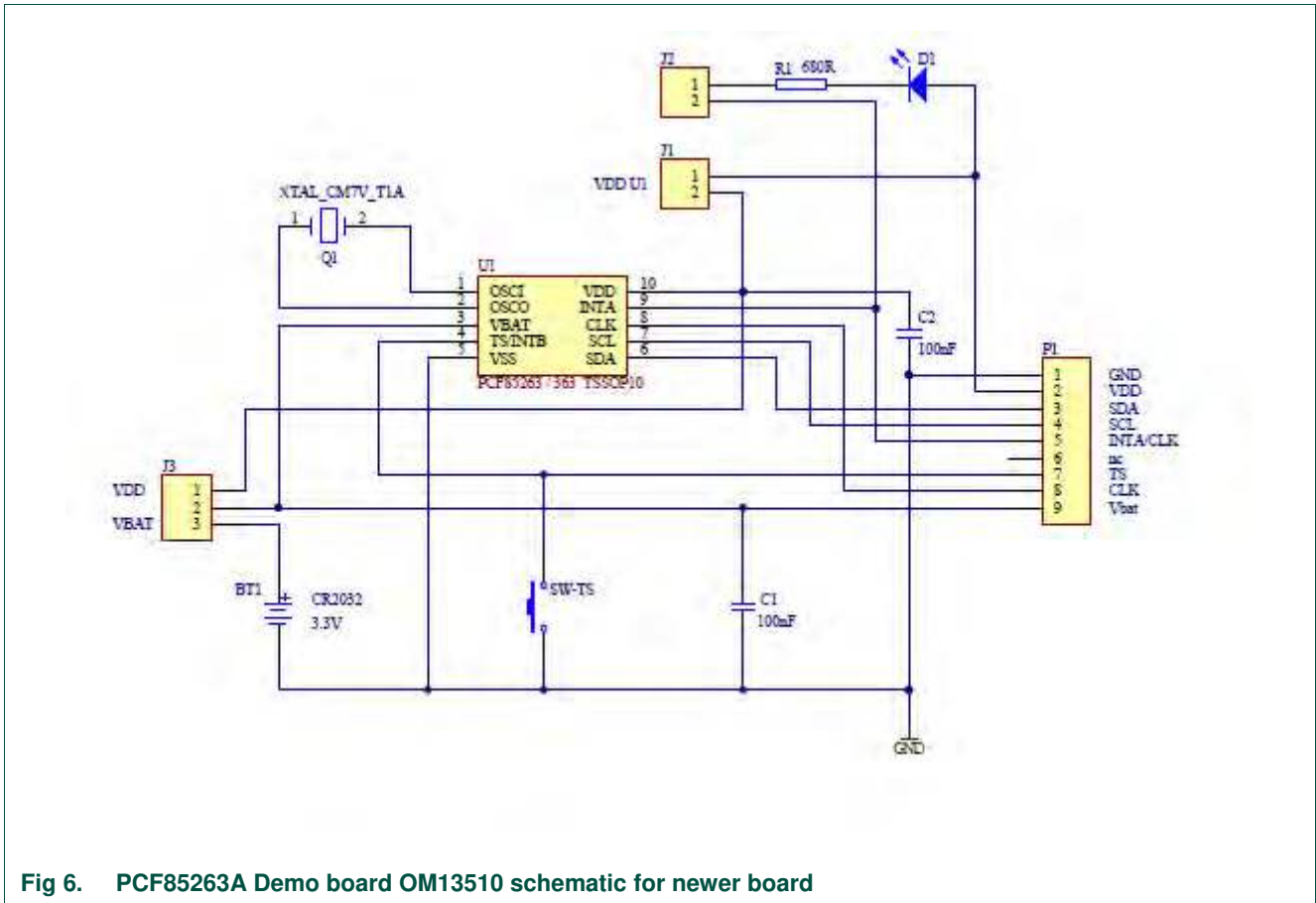


Fig 6. PCF85263A Demo board OM13510 schematic for newer board

4.2 Incorporate it with an application in development

This board can be connected via connector P2 to the application to be developed.

4.3 OM13510 in conjunction with the FM+ demo board OM13320

Connector P2 features the pinning of the universal FM+ demo board. Next generation firmware will feature a GUI to control the RTC.

5. RTC tuning

5.1 Frequency tuning

The 32 kHz quartzes are typically sold with a tolerance at room temperature of either ±20 ppm or ±10 ppm. 11.5 ppm corresponds to 1 s/day.

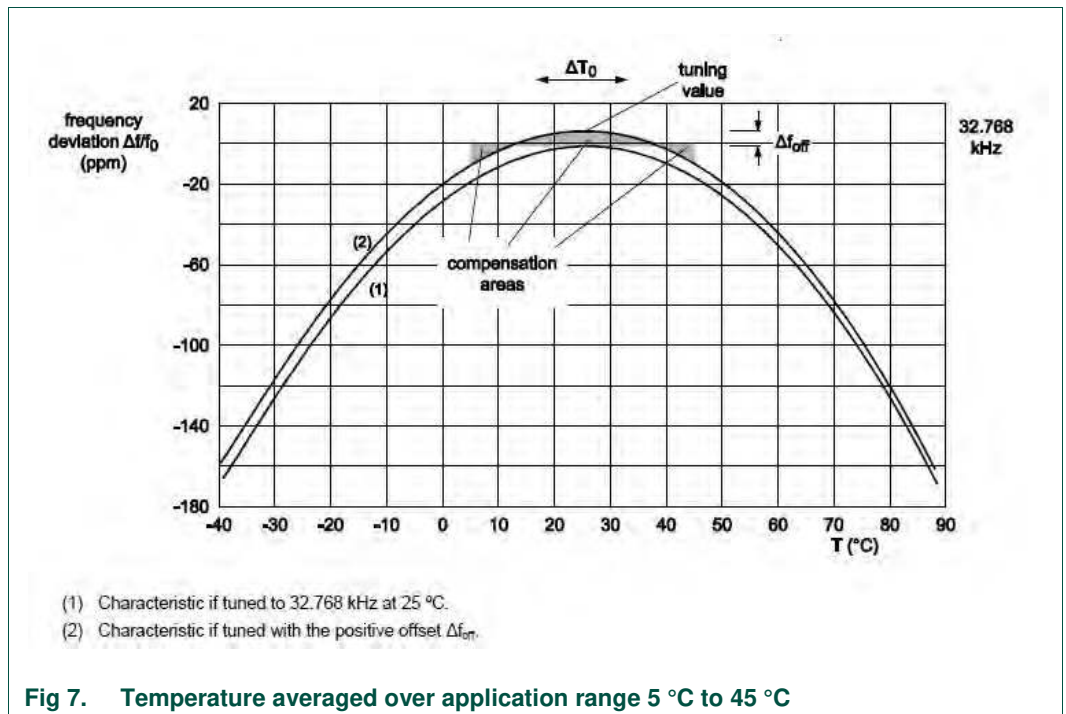
The quartzes feature a characteristic load capacity of either 7 pF or 12.5 pF. Oscillators utilizing 7 pF quartzes feature slightly lower power consumption, where the quartzes of 12.5 pF have largest production quantities. The tracks between quartz and RTC represent also some parasitic capacitances and must be kept short.

The PCF85263 has a tuning facility where tolerances can be compensated. Tuning procedure:

- Measure the 32xxx Hz (f) signal at the CLKOUT pin.
- The offset is calculated in ppm as

$$\Delta f_{[ppm]} = 10^6 \times (f - 32768) / 32768$$
- Consult the offset table in the data sheet. Take the correction value and write it into the register 02h.
- The correction is done by means of inhibition or addition: the oscillator runs at constant speed, then every 2 hours (mode 0) 1 second is corrected by making it shorter or longer. This is not easily visible at the CLKOUT.
- Corrections can also be applied every 4 minutes by using mode 1. This mode will consume slightly more power.

The 32 kHz quartzes are of the type tuning fork and feature a parabolic frequency response over temperature. When the application is dominantly used over a limited temperature range, it is often helpful to tune the frequency to be slightly higher at the turn-over point. The error around 25 °C (clock goes too fast) is then compensated during the time when temperature is lower or higher. For example, for operation between 5 °C and 45 °C, tune the clock 8 ppm faster than the value for 25 °C would be. See Fig 7.



6. References

- [1] AN11247 - Improved timekeeping accuracy with PCF85063, PCF8523 and PCF2123 using an external temperature sensor
- [2] UM10301 - User Manual for NXP Real Time Clocks PCF85x3, PCA8565 and PCF2123, PCA2125

7. Legal information

7.1 Definitions

Draft — The document is a draft version only. The content is still under internal review and subject to formal approval, which may result in modifications or additions. NXP Semiconductors does not give any representations or warranties as to the accuracy or completeness of information included herein and shall have no liability for the consequences of use of such information.

7.2 Disclaimers

Limited warranty and liability — Information in this document is believed to be accurate and reliable. However, NXP Semiconductors does not give any representations or warranties, expressed or implied, as to the accuracy or completeness of such information and shall have no liability for the consequences of use of such information.

In no event shall NXP Semiconductors be liable for any indirect, incidental, punitive, special or consequential damages (including - without limitation - lost profits, lost savings, business interruption, costs related to the removal or replacement of any products or rework charges) whether or not such damages are based on tort (including negligence), warranty, breach of contract or any other legal theory.

Notwithstanding any damages that customer might incur for any reason whatsoever, NXP Semiconductors' aggregate and cumulative liability towards customer for the products described herein shall be limited in accordance with the Terms and conditions of commercial sale of NXP Semiconductors.

Right to make changes — NXP Semiconductors reserves the right to make changes to information published in this document, including without limitation specifications and product descriptions, at any time and without notice. This document supersedes and replaces all information supplied prior to the publication hereof.

Suitability for use — NXP Semiconductors products are not designed, authorized or warranted to be suitable for use in life support, life-critical or safety-critical systems or equipment, nor in applications where failure or malfunction of an NXP Semiconductors product can reasonably be expected to result in personal injury, death or severe property or environmental damage. NXP Semiconductors accepts no liability for inclusion and/or use of NXP Semiconductors products in such equipment or applications and therefore such inclusion and/or use is at the customer's own risk.

Applications — Applications that are described herein for any of these products are for illustrative purposes only. NXP Semiconductors makes no representation or warranty that such applications will be suitable for the specified use without further testing or modification.

Customers are responsible for the design and operation of their applications and products using NXP Semiconductors products, and NXP Semiconductors accepts no liability for any assistance with applications or

customer product design. It is customer's sole responsibility to determine whether the NXP Semiconductors product is suitable and fit for the customer's applications and products planned, as well as for the planned application and use of customer's third party customer(s). Customers should provide appropriate design and operating safeguards to minimize the risks associated with their applications and products.

NXP Semiconductors does not accept any liability related to any default, damage, costs or problem which is based on any weakness or default in the customer's applications or products, or the application or use by customer's third party customer(s). Customer is responsible for doing all necessary testing for the customer's applications and products using NXP Semiconductors products in order to avoid a default of the applications and the products or of the application or use by customer's third party customer(s). NXP does not accept any liability in this respect.

Export control — This document as well as the item(s) described herein may be subject to export control regulations. Export might require a prior authorization from competent authorities.

Evaluation products — This product is provided on an "as is" and "with all faults" basis for evaluation purposes only. NXP Semiconductors, its affiliates and their suppliers expressly disclaim all warranties, whether express, implied or statutory, including but not limited to the implied warranties of non-infringement, merchantability and fitness for a particular purpose. The entire risk as to the quality, or arising out of the use or performance, of this product remains with customer.

In no event shall NXP Semiconductors, its affiliates or their suppliers be liable to customer for any special, indirect, consequential, punitive or incidental damages (including without limitation damages for loss of business, business interruption, loss of use, loss of data or information, and the like) arising out of the use of or inability to use the product, whether or not based on tort (including negligence), strict liability, breach of contract, breach of warranty or any other theory, even if advised of the possibility of such damages.

Notwithstanding any damages that customer might incur for any reason whatsoever (including without limitation, all damages referenced above and all direct or general damages), the entire liability of NXP Semiconductors, its affiliates and their suppliers and customer's exclusive remedy for all of the foregoing shall be limited to actual damages incurred by customer based on reasonable reliance up to the greater of the amount actually paid by customer for the product or five dollars (US\$5.00). The foregoing limitations, exclusions and disclaimers shall apply to the maximum extent permitted by applicable law, even if any remedy fails of its essential purpose.

7.3 Trademarks

Notice: All referenced brands, product names, service names and trademarks are property of their respective owners.

8. List of figures

Fig 1.	Block diagram of PCF85263A.....	4
Fig 2.	Interfacing to the microcontroller.....	5
Fig 3.	PCF13263 Demo board OM13510 (original version)	5
Fig 4.	PCF85263A Demo board OM13510 (newer version)	6
Fig 5.	PCF85263A Demo board OM13510 schematic for original board	8
Fig 6.	PCF85263A Demo board OM13510 schematic for newer board.....	9
Fig 7.	Temperature averaged over application range 5 °C to 45 °C.....	10

9. Contents

1.	Introduction	3
2.	Key features	3
2.1	Demo board OM13510	3
2.2	Real time clock PCF85263A	3
3.	Hardware set-up	4
3.1	General requirement for the RTC PCF85263A ..	4
3.2	Demo boards for OM13510	5
3.3	Out of the box	7
3.4	Demo board features	7
4.	Circuit diagram	8
4.1	Demo board circuit diagram	8
4.2	Incorporate it with an application in development	9
4.3	OM13510 in conjunction with the FM+ demo board OM13320	9
5.	RTC tuning	9
5.1	Frequency tuning	9
6.	References	11
7.	Legal information	12
7.1	Definitions	12
7.2	Disclaimers	12
7.3	Trademarks	12
8.	List of figures	13
9.	Contents	14

Please be aware that important notices concerning this document and the product(s) described herein, have been included in the section 'Legal information'.

© NXP B.V. 2016.

All rights reserved.

For more information, please visit: <http://www.nxp.com>
For sales office addresses, please send an email to: salesaddresses@nxp.com

Date of release: 2 May 2016
Document identifier: UM10766