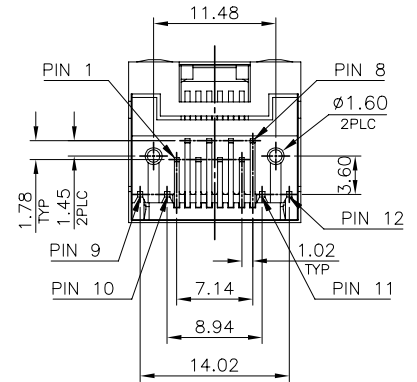


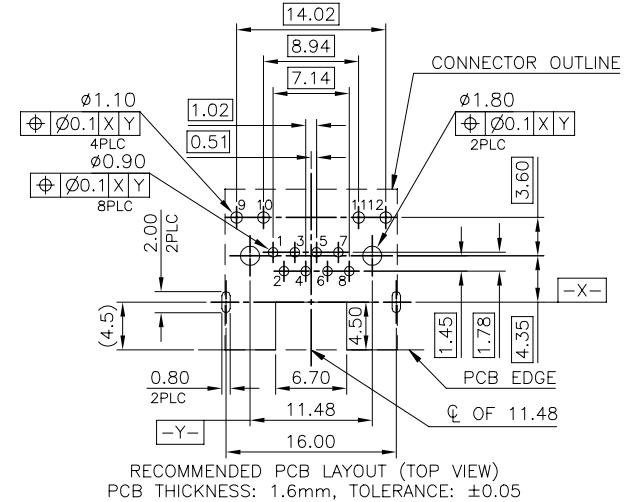
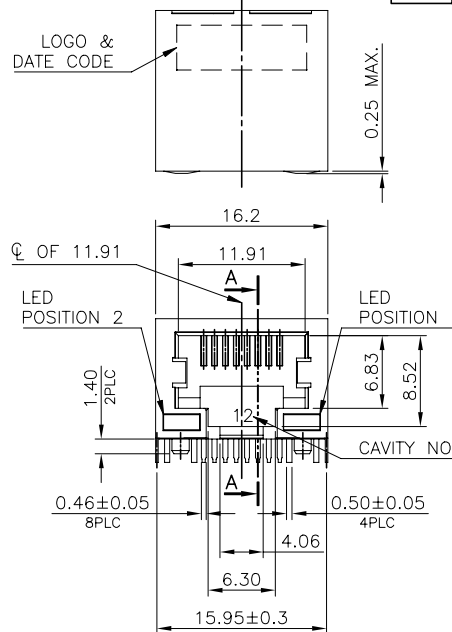
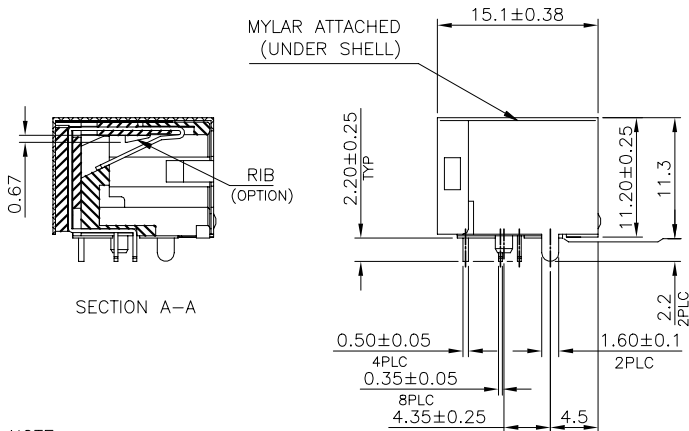
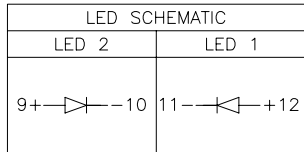
- NOTE:
- MATERIAL:
 - HOUSING: PA46, WITH 30% GF, UL94 V-0, BLACK COLOR.
 - INSERT HOUSING: PA46, WITH 30% GF, UL94 V-0, BLACK COLOR.
 - CONTACTS: PHOSPHOR BRONZE.
 - SHELL: BRASS.
 - LED SOLDER TAIL: STEEL.
 - MYLAR: SILICONE POLYMER.
 - FINISH:
 - CONTACTS: (SEE TABLE) GOLD PLATED ON CONTACT AREA. GOLD FLASH ON SOLDER TAIL. 1.27um [50u"] MIN. NICKEL UNDERPLATED OVERALL.
 - SHELL: 0.508um [20u"] MIN. NICKEL PLATED.
 - LED: 1.02um [40u"] COPPER UNDERPLATED OVERALL. 0.2032um [8u"] NICKEL OVERALL. 0.254um [10u"] SILVER ON BONDING AREA. 0.2032um [80u"] BRIGHT-TIN ON SOLDER AREA.
 - LED MUST BE REFLOW COMPATIBLE TO FOLLOWING TEMPERATURE PROFILE (FOR 1 CYCLE): ABOVE 160°C FOR 120 SECONDS, PEAKING AT 220°C FOR 10 SECONDS.
 - LED DEFECT RATE IS 6000 PPM MAX. AFTER IR REFLOW PROCESS AS NOTE 3.
 - WAVE SOLDER CAPABLE TO 265°C PER TE SPEC 109-202, CONDITION B.
- ⚠️ OBSOLETE PARTS: OBSOLETE CIS STREAMLINING PER D.RENAUD/D.SINISI.



⚠️ OBSOLETE	REEL	2.2	YELLOW	GREEN	1.27um[50u"]	1-1734324-8
					0.762um[30u"]	1-1734324-7
⚠️ OBSOLETE	TRAY	2.2	GREEN	YELLOW	0.381um[15u"]	1-1734324-6
					0.152um[6u"]	1-1734324-5
⚠️ OBSOLETE	TRAY	2.2	YELLOW	GREEN	1.27um[50u"]	1-1734324-4
					0.762um[30u"]	1-1734324-3
⚠️ OBSOLETE	TRAY	2.2	GREEN	YELLOW	0.381um[15u"]	1-1734324-2
					0.152um[6u"]	1-1734324-1
⚠️ OBSOLETE	TRAY	2.2	YELLOW	GREEN	1.27um[50u"]	1-1734324-8
					0.762um[30u"]	1734324-7
⚠️ OBSOLETE	TRAY	2.2	GREEN	YELLOW	0.381um[15u"]	1-1734324-6
					0.152um[6u"]	1734324-5
⚠️ OBSOLETE	TRAY	2.2	GREEN	YELLOW	1.27um[50u"]	1-1734324-4
					0.762um[30u"]	1734324-3
⚠️ OBSOLETE	TRAY	2.2	GREEN	YELLOW	0.381um[15u"]	1-1734324-2
					0.152um[6u"]	1734324-1
	PACKAGE	DIM A	POSITION 2	POSITION 1	MIN. GOLD THICKNESS	PART NUMBER

THIS DRAWING IS A CONTROLLED DOCUMENT.

DWN	A. WU	04MAR2008	
CHK	S. HOU	04MAR2008	
APP'D	W. KODAMA	04MAR2008	
PRODUCT SPEC	108-57535		
APPLICATION SPEC			
NAME	MODULAR JACK CONNECTOR RJ45 WITH LED, 8P8C, SHIELDED TAB DOWN, DIP TYPE, H=11.3mm		
SIZE	A3	CAGE CODE	00779
DRAWING NO	C=1734324		RESTRICTED TO
WEIGHT	4.5 GRAMS		
CUSTOMER DRAWING	SCALE	SHEET	1 OF 7 REV A6



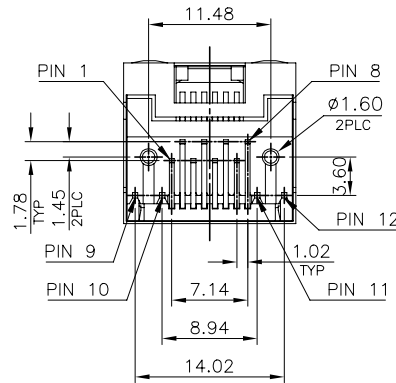
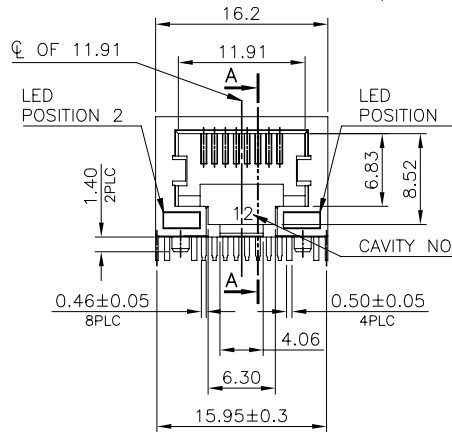
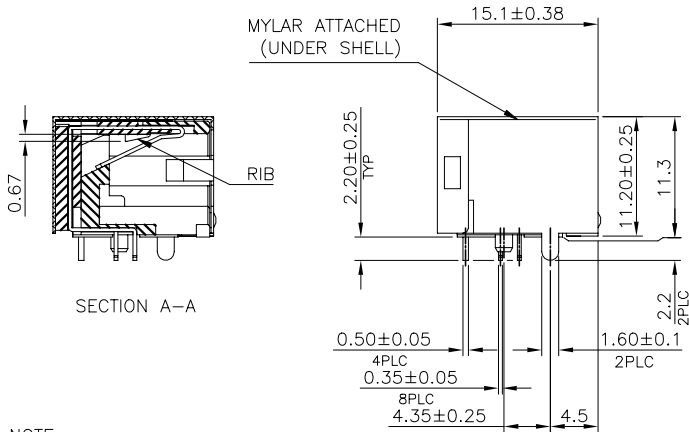
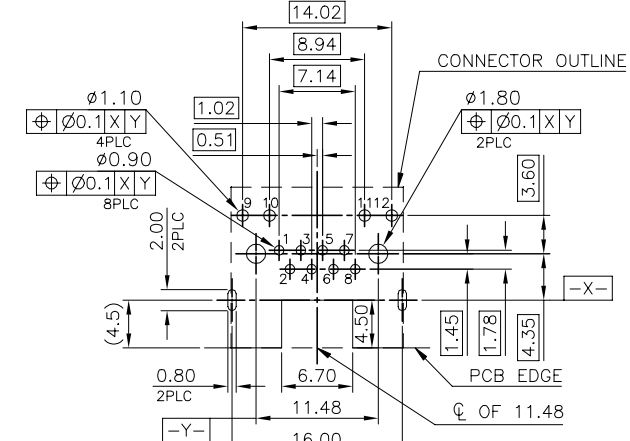
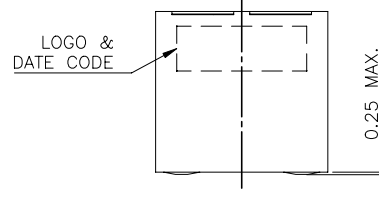
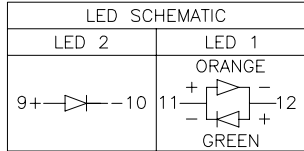
NOTE:

- MATERIAL:
 - HOUSING: PA46, WITH 30% GF, UL94 V-0, BLACK COLOR.
 - INSERT HOUSING: PA46, WITH 30% GF, UL94 V-0, BLACK COLOR.
 - CONTACTS: PHOSPHOR BRONZE.
 - SHELL: BRASS.
 - LED SOLDER TAIL: STEEL.
 - MYLAR: SILICONE POLYMER.
 - FINISH:
 - CONTACTS: (SEE TABLE) GOLD PLATED ON CONTACT AREA. GOLD FLASH ON SOLDER TAIL. 1.27um [50u"] MIN. NICKEL UNDERPLATED OVERALL.
 - SHELL: 0.508um [20u"] MIN. NICKEL PLATED.
 - LED: 1.02um [40u"] COPPER UNDERPLATED OVERALL. 0.2032um [8u"] NICKEL OVERALL. 0.254um [10u"] SILVER ON BONDING AREA. 0.2032um [80u"] BRIGHT-TIN ON SOLDER AREA.
 - LED MUST BE REFLOW COMPATIBLE TO FOLLOWING TEMPERATURE PROFILE (FOR 1 CYCLE): ABOVE 160°C FOR 120 SECONDS, PEAKING AT 220°C FOR 10 SECONDS.
 - LED DEFECT RATE IS 6000 PPM MAX. AFTER IR REFLOW PROCESS AS NOTE 3.
 - WAVE SOLDER CAPABLE TO 265°C PER TE SPEC 109-202, CONDITION B.
- △ OBSOLETE PARTS: OBSOLETE CIS STREAMLINING PER D.RENAUD/D.SINISI.

△	OBSOLETE	W/O TAPE & REEL	YELLOW	GREEN	1.27um[50u"]	3-1734324-6
					0.762um[30u"]	3-1734324-7
△	OBSOLETE	W/O TAPE & REEL	GREEN	YELLOW	0.381um[15u"]	3-1734324-6
					0.152um[6u"]	3-1734324-5
△	OBSOLETE	W/ TRAY	YELLOW	GREEN	1.27um[50u"]	3-1734324-4
					0.762um[30u"]	3-1734324-3
△	OBSOLETE	W/ TRAY	GREEN	YELLOW	0.381um[15u"]	3-1734324-2
					0.152um[6u"]	3-1734324-1
△	OBSOLETE	W/ TRAY	YELLOW	GREEN	1.27um[50u"]	2-1734324-8
					0.762um[30u"]	2-1734324-7
△	OBSOLETE	W/ TRAY	GREEN	YELLOW	0.381um[15u"]	2-1734324-6
					0.152um[6u"]	2-1734324-5
		RIB PACKAGE	POSITION 2	POSITION 1	MIN. GOLD THICKNESS	PART NUMBER

THIS DRAWING IS A CONTROLLED DOCUMENT.

DWN	-	TE TE Connectivity	
CHK	-		
APVD	-	NAME	
PRODUCT SPEC	-	MODULAR JACK CONNECTOR RJ45 WITH LED, 8P8C, SHIELDED TAB DOWN, DIP TYPE, H=11.3mm	
APPLICATION SPEC	-	SIZE	CAGE CODE
WEIGHT	-	A3	00779
CUSTOMER DRAWING	-	DRAWING NO	RESTRICTED TO
	-	G=1734324	-
	-	SCALE	SHEET
	-	-	2 OF 7
	-		REV A6



NOTE:

- MATERIAL:
 - HOUSING: PA46, WITH 30% GF, UL94 V-0, BLACK COLOR.
 - INSERT HOUSING: PA46, WITH 30% GF, UL94 V-0, BLACK COLOR.
 - CONTACTS: PHOSPHOR BRONZE.
 - SHELL: BRASS.
 - LED SOLDER TAIL: STEEL.
 - MYLAR: SILICONE POLYMER.
 - FINISH:
 - CONTACTS: (SEE TABLE) GOLD PLATED ON CONTACT AREA. GOLD FLASH ON SOLDER TAIL. 1.27µm [50u"] MIN. NICKEL UNDERPLATED OVERALL.
 - SHELL: 0.508µm [20u"] MIN. NICKEL PLATED.
 - LED: 1.02µm [40u"] COPPER UNDERPLATED OVERALL. 0.2032µm [8u"] NICKEL OVERALL. 0.254µm [10u"] SILVER ON BONDING AREA. 0.2032µm [8u"] BRIGHT-TIN ON SOLDER AREA.
 - LED MUST BE REFLOW COMPATIBLE TO FOLLOWING TEMPERATURE PROFILE (FOR 1 CYCLE): ABOVE 160°C FOR 120 SECONDS, PEAKING AT 220°C FOR 10 SECONDS.
 - LED DEFECT RATE IS 6000 PPM MAX. AFTER IR REFLOW PROCESS AS NOTE 3.
 - WAVE SOLDER CAPABLE TO 265°C PER TE SPEC 109-202, CONDITION B.
- ⚠️ OBSOLETE PARTS: OBSOLETE CIS STREAMLINING PER D.RENAUD/D.SINISI.

⚠️ OBSOLETE	TRAY	GREEN	ORANGE/ GREEN	1.27µm[50u"]	4-1734324-4	
				0.762µm[30u"]	4-1734324-3	
				0.381µm[15u"]	4-1734324-2	
				0.152µm[6u"]	4-1734324-1	
	PACKAGE		POSITION 2 INDICATOR COLOR	POSITION 1	MIN. GOLD THICKNESS	PART NUMBER

THIS DRAWING IS A CONTROLLED DOCUMENT.

DIMENSIONS: mm	TOLERANCES UNLESS OTHERWISE SPECIFIED:	TE Connectivity			
0 PLC ± - 1 PLC ± 0.3 2 PLC ± 0.2 3 PLC ± 0.15 4 PLC ± - ANGLES ± 3°		NAME: MODULAR JACK CONNECTOR RJ45 WITH LED, 8P8C, SHIELDED TAB DOWN, DIP TYPE, H=11.3mm			
MATERIAL	FINISH	SIZE: A3	CAGE CODE: 00779	DRAWING NO: C=1734324	RESTRICTED TO: -
		CUSTOMER DRAWING	SCALE: -	SHEET: 3 of 7	REV: A6

4

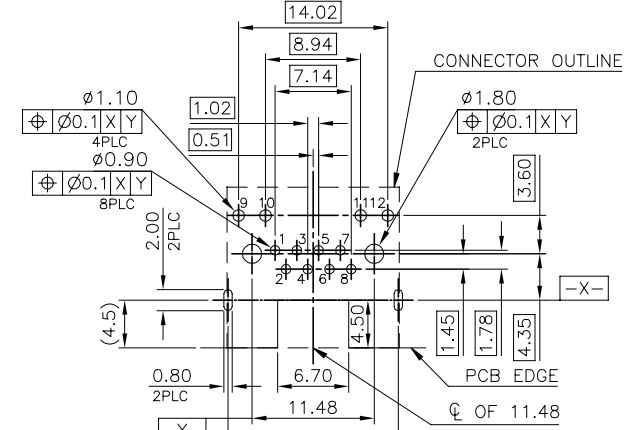
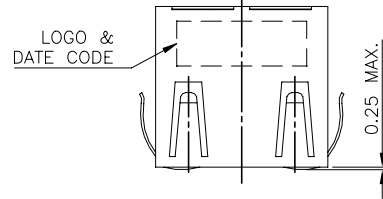
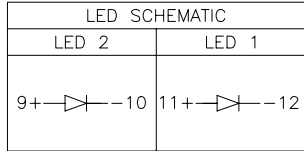
3

2

1

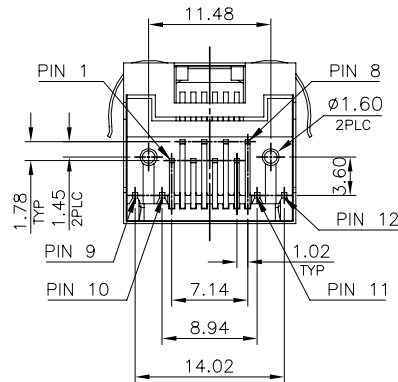
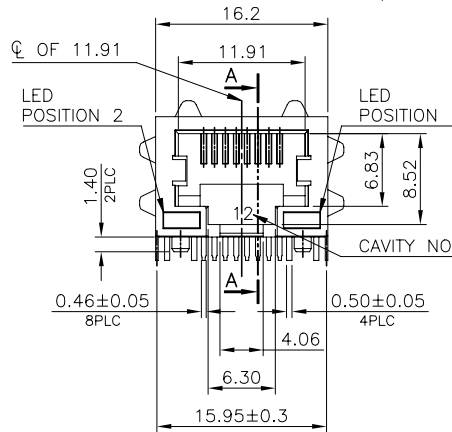
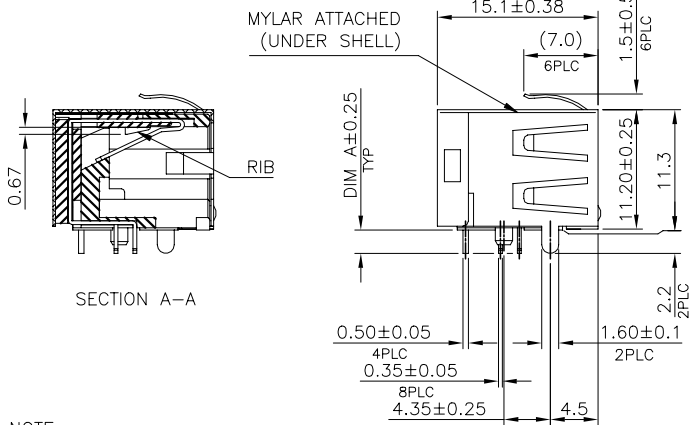
THIS DRAWING IS UNPUBLISHED. RELEASED FOR PUBLICATION
COPYRIGHT 2010 BY TYCO ELECTRONICS CORPORATION. ALL RIGHTS RESERVED.

LOC	DIST	REVISIONS					
DW		P	LTR	DESCRIPTION	DATE	DWN	APVD
				SEE SHEET 1.			



RECOMMENDED PCB LAYOUT (TOP VIEW)
TOLERANCE: ±0.05

RECOMMENDED PCB THICKNESS	DIM A
1.6	2.2
2.0	3.5



NOTE:

1. MATERIAL:

- 1.1 HOUSING: PA46, WITH 30% GF, UL94 V-0, BLACK COLOR.
- 1.2 INSERT HOUSING: PA46, WITH 30% GF, UL94 V-0, BLACK COLOR.
- 1.3 CONTACTS: PHOSPHOR BRONZE.
- 1.4 SHELL: BRASS.
- 1.5 LED SOLDER TAIL: STEEL.
- 1.6 MYLAR: SILICONE POLYMER.

2. FINISH:

- 2.1 CONTACTS: (SEE TABLE) GOLD PLATED ON CONTACT AREA.
GOLD FLASH ON SOLDER TAIL.
1.27µm [50u"] MIN. NICKEL UNDERPLATED OVERALL.
- 2.2 SHELL: 0.508µm [20u"] MIN. NICKEL PLATED.
- 2.3 LED: 1.02µm [40u"] COPPER UNDERPLATED OVERALL.
0.2032µm [8u"] NICKEL OVERALL.
0.254µm [10u"] SILVER ON BONDING AREA.
0.232µm [8u"] BRIGHT-TIN ON SOLDER AREA.

3. LED MUST BE REFLOW COMPATIBLE TO FOLLOWING

TEMPERATURE PROFILE (FOR 1 CYCLE): ABOVE 160°C FOR 120 SECONDS, PEAKING AT 220°C FOR 10 SECONDS.

4. LED DEFECT RATE IS 6000 PPM MAX. AFTER IR REFLOW PROCESS AS NOTE 3.

5. WAVE SOLDER CAPABLE TO 265°C PER TE SPEC 109-202, CONDITION B.

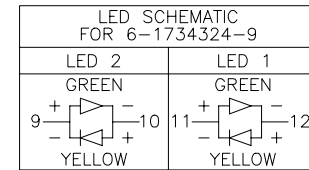
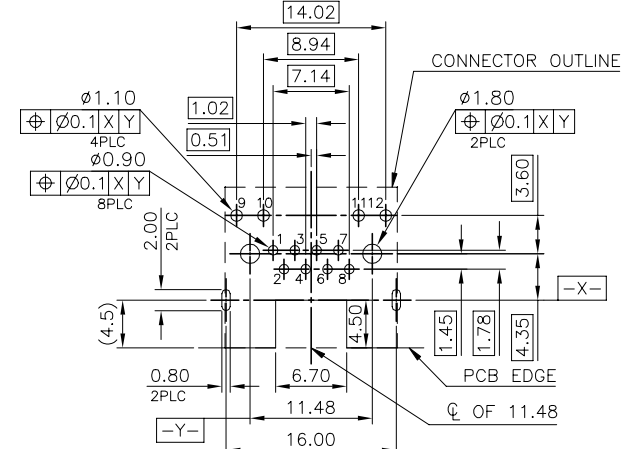
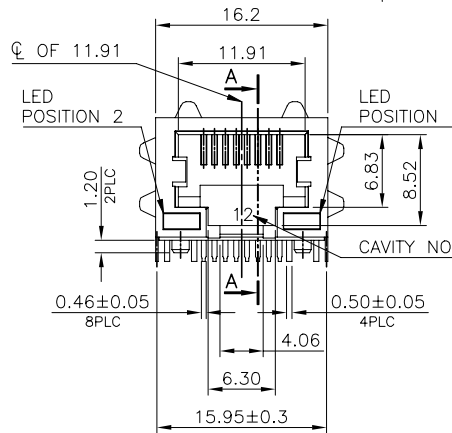
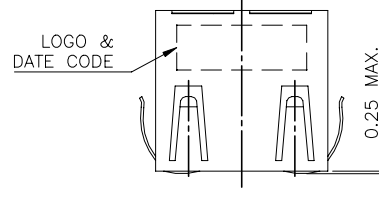
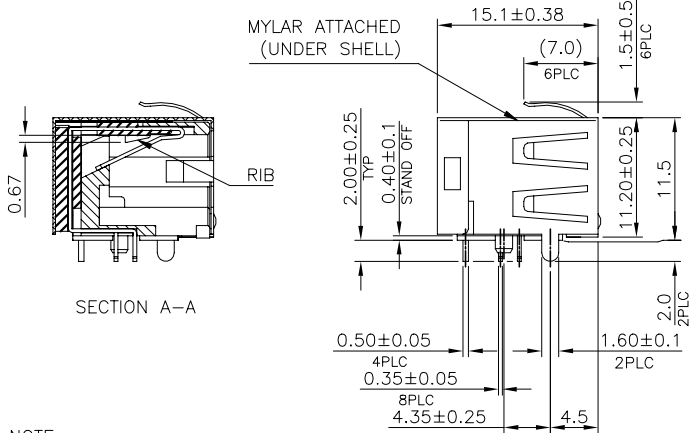
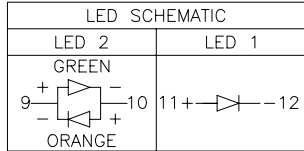
⚠️ OBSOLETE PARTS: OBSOLETE CIS STREAMLINING PER D.RENAUD/D.SINISI.

⚠️ OBSOLETE

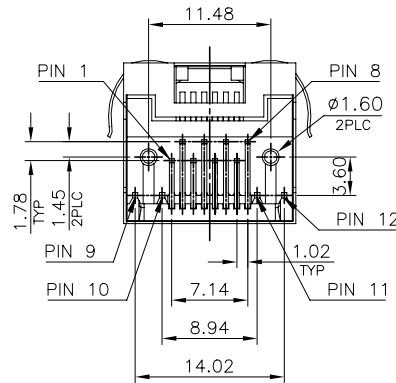
⚠️ OBSOLETE

PACKAGE	DIM A	POSITION 2	POSITION 1	MIN. GOLD THICKNESS	PART NUMBER
TRAY	3.5	GREEN	YELLOW	0.762µm [30u"]	5-1734324-9
				1.27µm [50u"]	5-1734324-8
				0.762µm [30u"]	5-1734324-7
		YELLOW	GREEN	0.381µm [15u"]	5-1734324-6
				0.152µm [6u"]	5-1734324-5
				1.27µm [50u"]	5-1734324-4
GREEN	YELLOW	0.762µm [30u"]	5-1734324-3		
		0.381µm [15u"]	5-1734324-2		
		0.152µm [6u"]	5-1734324-1		

THIS DRAWING IS A CONTROLLED DOCUMENT.		DWN			
DIMENSIONS: mm		CHK			
TOLERANCES UNLESS OTHERWISE SPECIFIED:		APVD		NAME	
0 PLC ± - 1 PLC ± 0.3 2 PLC ± 0.2 3 PLC ± 0.15 4 PLC ± - ANGLES ± 3°		PRODUCT SPEC		MODULAR JACK CONNECTOR	
MATERIAL		APPLICATION SPEC		RJ45 WITH LED, 8P8C, SHIELDED	
FINISH		WEIGHT		TAB DOWN, DIP TYPE, H=11.3mm	
		CUSTOMER DRAWING		RESTRICTED TO	
		SIZE A3	CAGE CODE 00779	DRAWING NO. C=1734324	
		SCALE		SHEET 4 OF 7	
				REV A6	



- NOTE:
- MATERIAL:
 - HOUSING: PA9T, WITH 30% GF, UL94 V-0, BLACK COLOR.
 - INSERT HOUSING: PA46, WITH 30% GF, UL94 V-0, BLACK COLOR.
 - CONTACTS: PHOSPHOR BRONZE.
 - SHELL: BRASS.
 - LED SOLDER TAIL: STEEL.
 - MYLAR: SILICONE POLYMER.
 - FINISH:
 - CONTACTS: (SEE TABLE) GOLD PLATED ON CONTACT AREA. GOLD FLASH ON SOLDER TAIL. 1.27µm [50u"] MIN. NICKEL UNDERPLATED OVERALL.
 - SHELL: 0.508µm [20u"] MIN. NICKEL PLATED.
 - LED: 1.02µm [40u"] COPPER UNDERPLATED OVERALL. 0.2032µm [8u"] NICKEL OVERALL. 0.254µm [10u"] SILVER ON BONDING AREA. 0.2032µm [80u"] BRIGHT-TIN ON SOLDER AREA.
 - LED MUST BE REFLOW COMPATIBLE TO FOLLOWING TEMPERATURE PROFILE (FOR 1 CYCLE): ABOVE 160°C FOR 120 SECONDS, PEAKING AT 220°C FOR 10 SECONDS.
 - LED DEFECT RATE IS 6000 PPM MAX. AFTER IR REFLOW PROCESS AS NOTE 3.
 - WAVE SOLDER CAPABLE TO 265°C PER TE SPEC 109-202, CONDITION B.



TAPE & REEL	GREEN/YELLOW	GREEN/YELLOW	1.27µm[50u"]	6-1734324-9
	TRAY	GREEN/ORANGE	YELLOW	1.27µm[50u"]
0.762µm[30u"]				6-1734324-7
0.381µm[15u"]				6-1734324-6
0.152µm[6u"]				6-1734324-5
1.27µm[50u"]				6-1734324-4
0.762µm[30u"]				6-1734324-3
PACKAGE	POSITION 2	POSITION 1	MIN. GOLD THICKNESS	6-1734324-2
				6-1734324-1
				PART NUMBER

THIS DRAWING IS A CONTROLLED DOCUMENT.

DWN _____

CHK _____

APVD _____

PRODUCT SPEC _____

APPLICATION SPEC _____

WEIGHT _____

CUSTOMER DRAWING _____

TE Connectivity

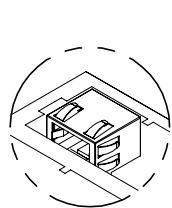
NAME: MODULAR JACK CONNECTOR RJ45 WITH LED, 8P8C, SHIELDED TAB DOWN, DIP TYPE, H=11.3mm

SIZE: A3 CAGE CODE: 00779 DRAWING NO: 1734324 RESTRICTED TO: _____

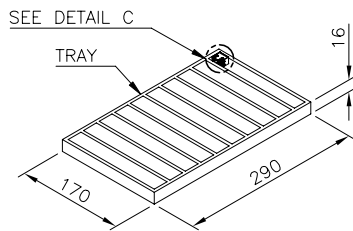
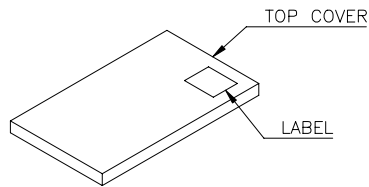
SCALE: _____ SHEET: 5 OF 7 REV: A6

THIS DRAWING IS UNPUBLISHED. RELEASED FOR PUBLICATION
 © COPYRIGHT 2010 BY TYCO ELECTRONICS CORPORATION. ALL RIGHTS RESERVED.

LOC DW	DIST	REVISIONS		
P	LTR	DESCRIPTION	DATE	DWN
		SEE SHEET 1.		APVD

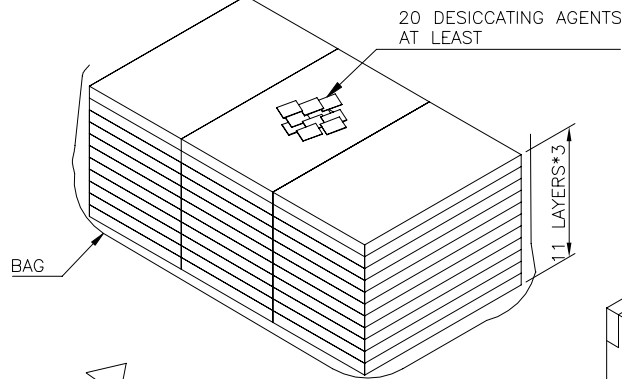


DETAIL C

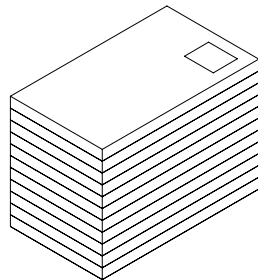
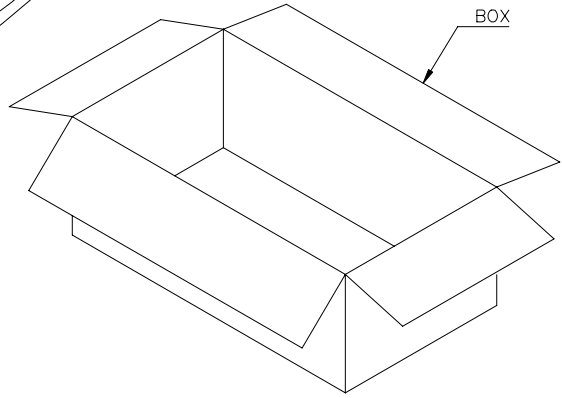
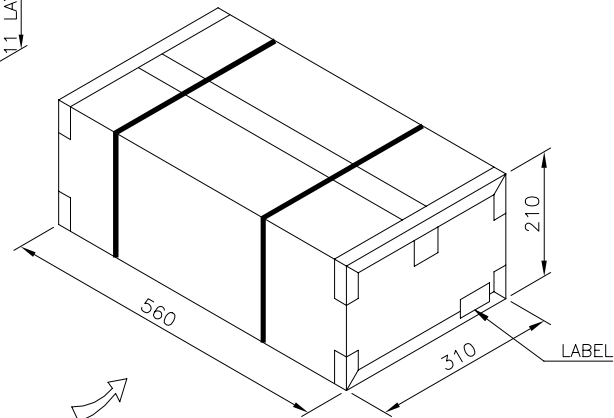


SEE DETAIL C

TRAY



20 DESICCATING AGENTS AT LEAST



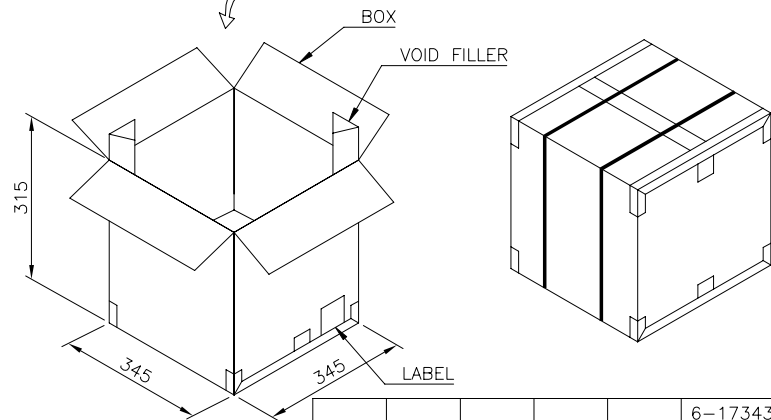
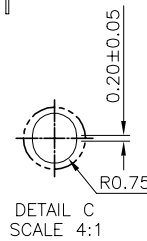
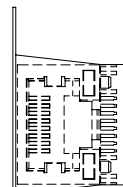
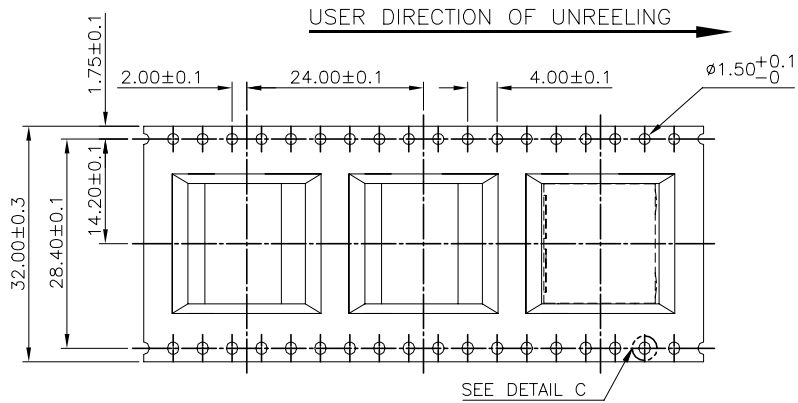
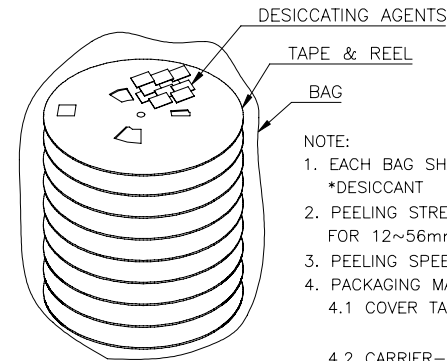
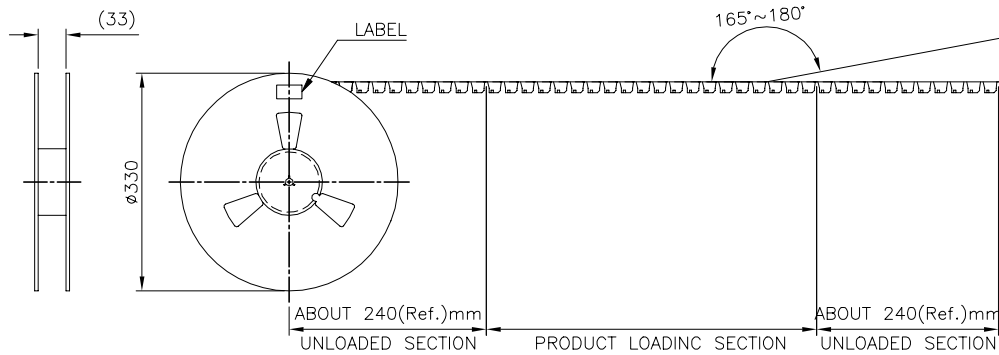
13Kg	11.1Kg	80	33	2640	6-1734324-1~4
14.5Kg	12.5Kg	90	33		7-1734324-X
					4-1734324-X
					2-1734324-X
					1734324-X
GROSS WEIGHT	NET WEIGHT	PCS /TRAY	TRAY /BOX	PCS /BOX	PART NUMBER

- NOTES:
 1. MATERIAL:
 TRAY: PVC.
 BOX: CORRUGATED FIBER.
 2. DIMENSION: SEE DRAWING
 3. QUANTITY: SEE TABLE
 4. WEIGHT: SEE TABLE

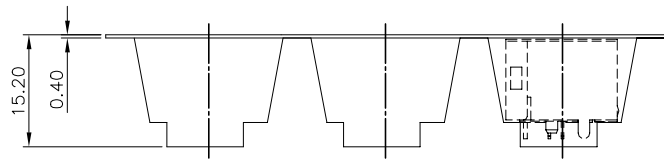
THIS DRAWING IS A CONTROLLED DOCUMENT.		DWN			
DIMENSIONS: mm		CHK			
TOLERANCES UNLESS OTHERWISE SPECIFIED:		APVD		NAME	
0 PLC ± 1 PLC ±0.3 2 PLC ±0.2 3 PLC ±0.15 4 PLC ± ANGLES ±3°		PRODUCT SPEC		MODULAR JACK CONNECTOR RJ45 WITH LED, 8P8C, SHIELDED TAB DOWN, DIP TYPE, H=11.3mm	
MATERIAL		APPLICATION SPEC		SIZE	RESTRICTED TO
FINISH		WEIGHT		A3	
		CUSTOMER DRAWING		CAGE CODE	DRAWING NO
				00779	C=1734324
		SCALE		SHEET	REV
				6 OF 7	A6

THIS DRAWING IS UNPUBLISHED. RELEASED FOR PUBLICATION
 © COPYRIGHT 2010 BY TYCO ELECTRONICS CORPORATION. ALL RIGHTS RESERVED.

LOC	DIST	REVISIONS					
DW		P	LTR	DESCRIPTION	DATE	DWN	APVD
		SEE SHEET 1.					



8.5KG	6.1KG	180	8	1440	6-1734324-5~9
					3-1734324-X
					1-1734324-X
GROSS WEIGHT	NET WEIGHT	PCS /REEL	REEL /BOX	PCS /BOX	PART NUMBER



THIS DRAWING IS A CONTROLLED DOCUMENT.

DIMENSIONS:	TOLERANCES UNLESS OTHERWISE SPECIFIED:	DWN	TE Connectivity			
mm	0 PLC ±	CHK	NAME			
	1 PLC ±0.3	APVD	MODULAR JACK CONNECTOR			
	2 PLC ±0.2	PRODUCT SPEC	RJ45 WITH LED, 8P8C, SHIELDED			
	3 PLC ±0.15	APPLICATION SPEC	TAB DOWN, DIP TYPE, H=11.3mm			
	4 PLC ±	WEIGHT	SIZE	CAGE CODE	DRAWING NO	RESTRICTED TO
MATERIAL	FINISH	CUSTOMER DRAWING	A3	00779	C=1734324	
			SCALE	SHEET	REV	
				7 OF 7	A6	