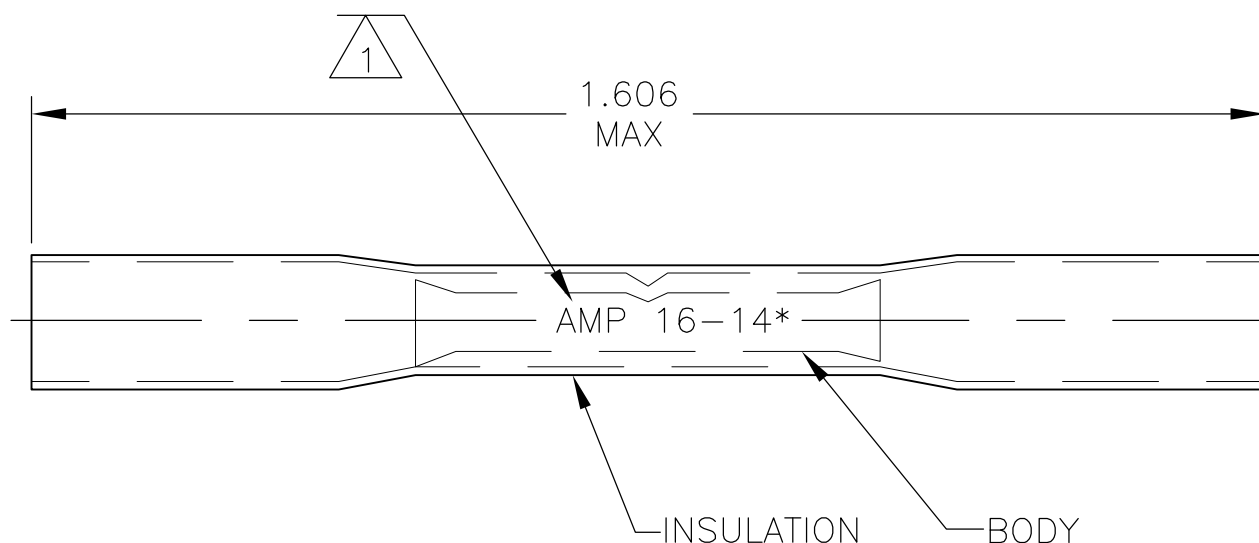


THIS DRAWING IS UNPUBLISHED. RELEASED FOR PUBLICATION
 © COPYRIGHT - By - ALL RIGHTS RESERVED.

LOC	DIST	REVISIONS					
		P	LTR	DESCRIPTION	DATE	DWN	APVD
G	14		H1	REVISED PER ECO-11-005027	12MAR11	RK	HMR

- 1 STAMP AMP 16-14* APPROX AS SHOWN
- 2 WIRE INSULATION .190 MAX DIA.



AMP WIRE RANGE
16-14 AWG STRANDED

2500	ON TAPE, REEL	2-55825-1
50	LOOSE PIECE	8-55825-2
1000	LOOSE PIECE	55825-1
QTY	PACKAGE TYPE	PART NO

AMP INCORPORATED CUSTOMER SERVICE SYSTEMS		MAX RECOMMENDED OPERATING TEMPERATURE: 125° C MAX	THIS DRAWING IS A CONTROLLED DOCUMENT.		DWN S S GOULDEN 6/93	STE TE Connectivity			
FOR ADDITIONAL PRODUCT INFORMATION OR COPIES OF DRAWINGS AND TECHNICAL DOCUMENTS	PRODUCT INFORMATION CENTER 1-800-522-6752	VOLTAGE RATING: 600V MAX (BUILDING WIRING) 1000V MAX (FIXTURES & SIGNS)	DIMENSIONS: INCHES	TOLERANCES UNLESS OTHERWISE SPECIFIED:	CHK R HERSEY 6/93				SPLICE, SEALABLE HEAT SHRINKABLE
FOR APPLICATION TOOLING INFORMATION	TOOLING ASSISTANCE CENTER 1-800-722-1111	CIRCULAR MIL AREA: 1.04-2.62 [2050-5180] STRANDED		0 PLC ± - 1 PLC ± - 2 PLC ± .008 3 PLC ± - 4 PLC ± - ANGLES ± -	APVD B BARE 6/93	NAME - APPLICATION SPEC 408-4022			
FOR ORDER ENTRY	1-800-526-5142	THIS DRAWING IS A CONTROLLED DOCUMENT FOR AMP INCORPORATED. IT IS SUBJECT TO CHANGE AND THE CONTROLLING ENGINEERING ORGANIZATION SHOULD BE CONTACTED FOR THE LATEST REVISION.	MATERIAL BODY: ETP COPPER INSULATION: POLYOLEFIN COLOR: BLUE	FINISH EDP TIN PLATED	PRODUCT SPEC -				SIZE A3
CUSTOMER DRAWING					WEIGHT -	SCALE NTS	SHEET 1 OF 1	REV H1	