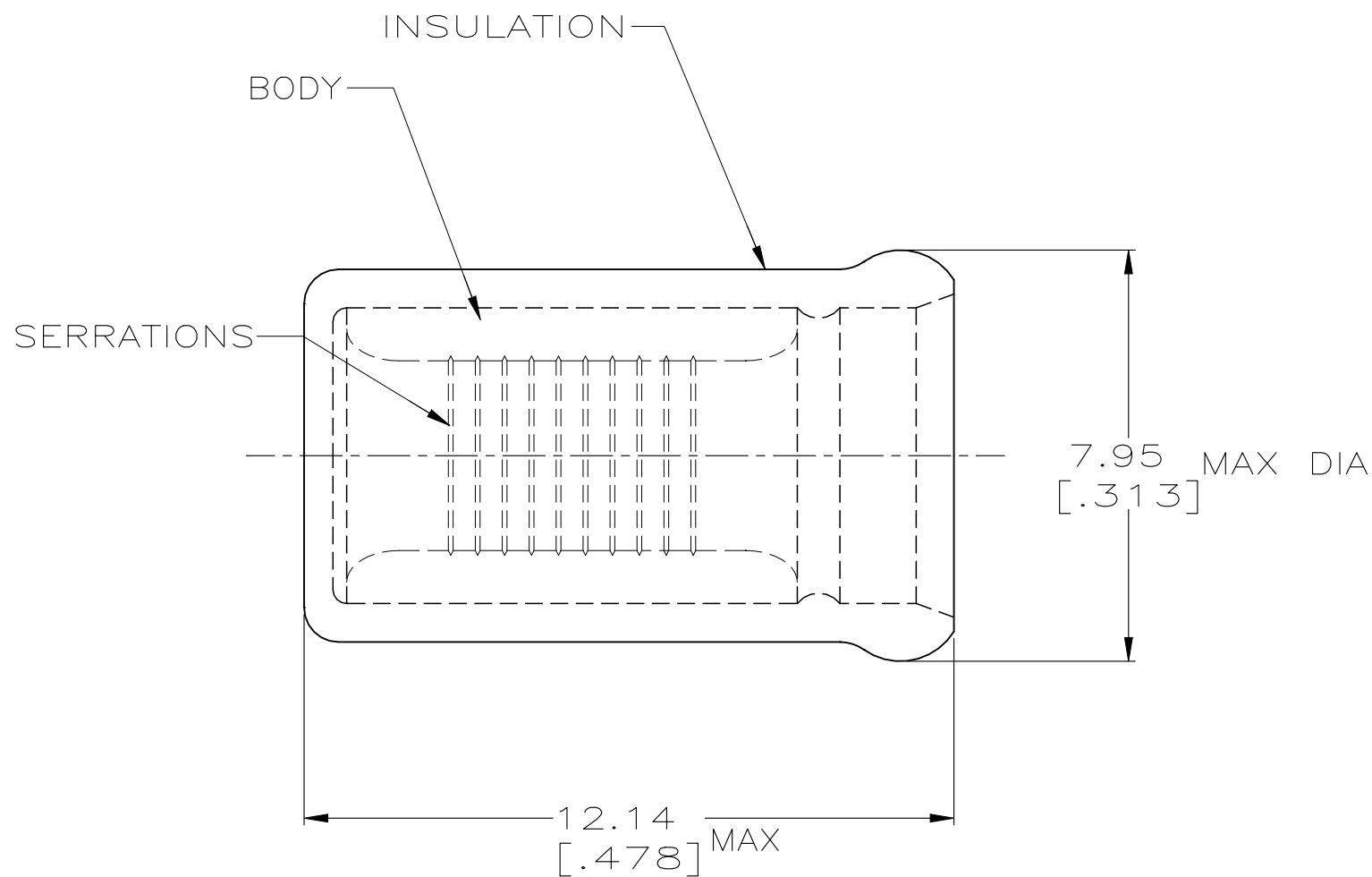


REVISIONS

P	LTR	DESCRIPTION	DATE	DWN	APVD
	F1	ECN-22-156403	03JUN2022	RK	CSD



1. USE FOR STRIPPED (SINGLE) WIRE END ONLY
2. WIRE INSUL DIA, 5.33 [.210] MAX

-	-	-	-
MS25274/4 CLASS 1	1000	LOOSE PIECE	328309
MILITARY P/N & CLASS	QTY	PACKAGE TYPE	PART NO

AMP INCORPORATED CUSTOMER SERVICE SYSTEM	
FOR ADDITIONAL PRODUCT INFORMATION OR COPIES OF DRAWINGS AND TECHNICAL DOCUMENTS	PRODUCT INFORMATION CENTER 1-800-522-6752
FOR APPLICATION TOOLING INFORMATION	TOOLING ASSISTANCE CENTER 1-800-722-1111
FOR ORDER ENTRY	1-800-526-5142

MAX RECOMMENDED OPERATING TEMPERATURE: 105° C [221° F]
VOLTAGE RATING: -
CIRCULAR MIL AREA: 2.62mm ² -6.64mm ² [5,180-13,100]

THIS DRAWING IS A CONTROLLED DOCUMENT.	
DIMENSIONS: mm [INCHES]	TOLERANCES UNLESS OTHERWISE SPECIFIED:
	0 PLC ± - 1 PLC ± - 2 PLC ± 0.20 [.008] 3 PLC ± - 4 PLC ± - ANGLES ± -
MATERIAL BODY, CU PER ASTM B152 INSUL, NYLON, COLOR, YELLOW.	FINISH BODY, TIN PLATE PER MIL-T-10727

DWN L OLMEDA 21MAR96	TE Connectivity	NAME		
CHK M ELLIS 21MAR96		SPARE WIRE CAP, WIRE SIZE, 12-10 AWG		
APVD K FERREK 21MAR96		SIZE	CAGE CODE	DRAWING NO
PRODUCT SPEC		A3	00779	C-328309
APPLICATION SPEC	RESTRICTED TO	-		
WEIGHT -	CUSTOMER DRAWING	SCALE 8:1	SHEET 1 OF 1	REV F1