

THIS DRAWING IS UNPUBLISHED  
VERTRAULICHE UNVERÖFFENTLICHE ZEICHNUNG

RELEASE FOR PUBLIKATION  
FREI FUER VERÖFFENTLICHUNG

MATED WITH:  
PASSEND ZU:

LOC AI  
DIST -

REVISIONS  
ÄNDERUNGEN

© COPYRIGHT 2000

BY AMP INCORPORATED

ALL RIGHTS RESERVED  
ALLE RECHTE VORBEHALTEN

BG5

P LTR

DESCRIPTION  
BESCHREIBUNG

DATE DWN APVD

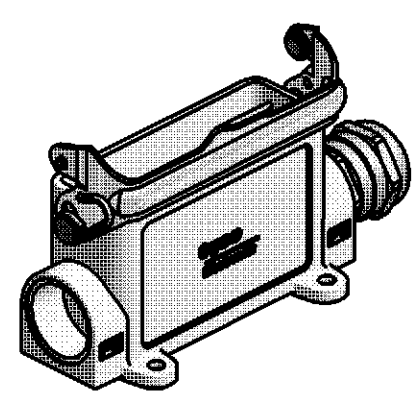
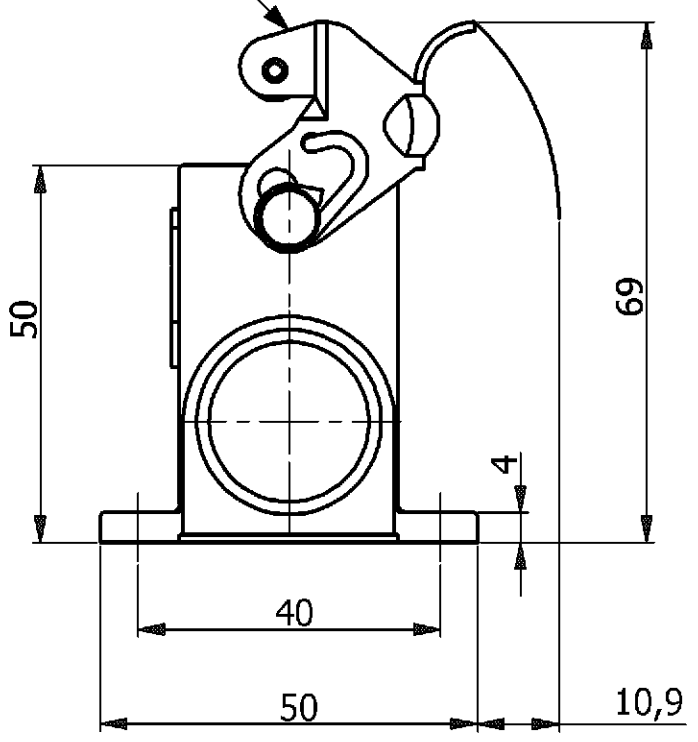
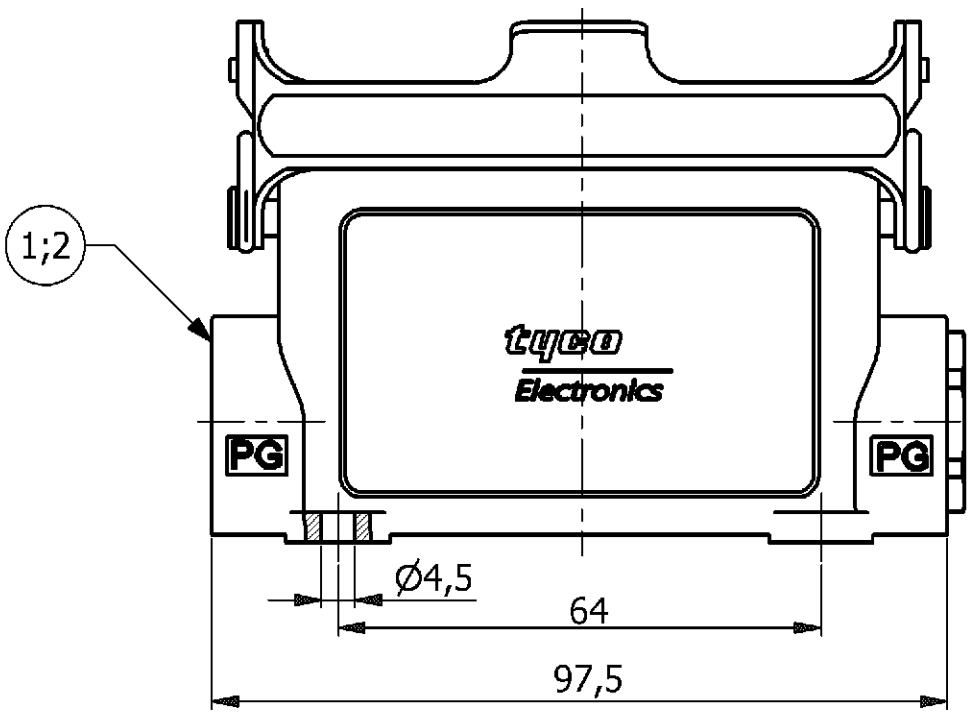
PROJEKT NR.  
EGGMA05416

A1 NEW DRAWN

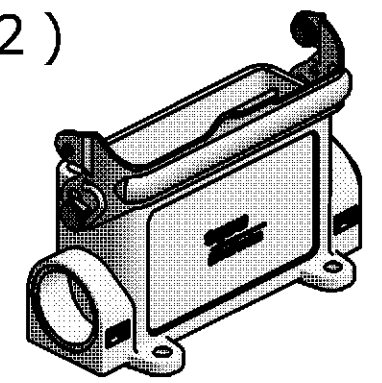
3/10/2006 PB ST

**NOTES**

- 1 PACKAGING QUANTITY: 5 PIECES PER BOX
- 2 MATERIAL: HOUSING: ALUMINIUM DIECASTING ALLOY
- 3 FINISH: POWDER COATED OR CORROSION PROTECTION
- 4 VARNISH ON THE INSIDE NOT NECESSARY



(1:2)



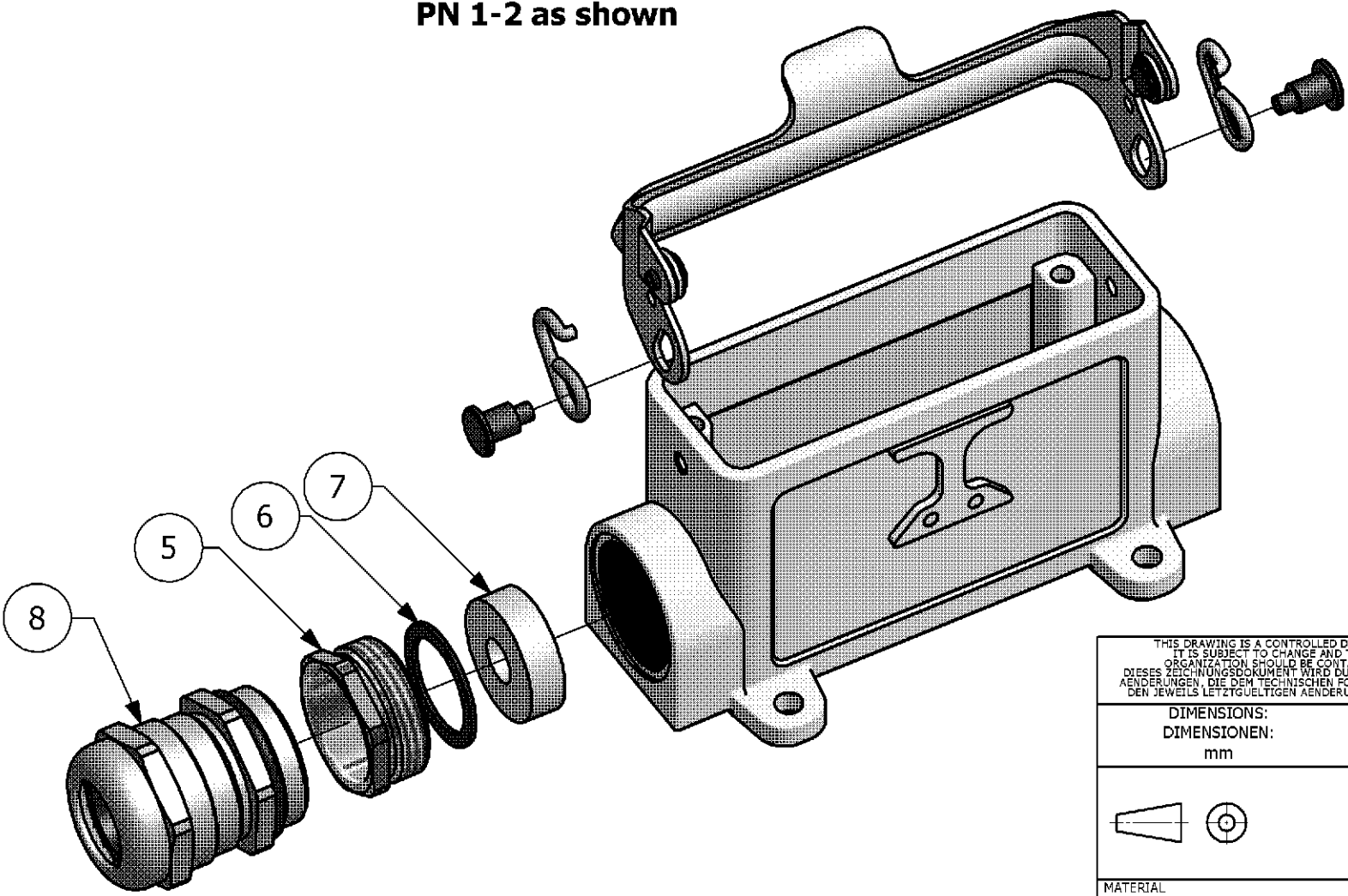
PN 2-2

PN 1-2

Ordering Text  
HA-K.16.SG-LB.2.16

Ordering Text  
HA.16.SG-LB.2.16

PN 1-2 as shown



QTY	DESCRIPTION	MATERIAL	SURFACE	COLOR	ITEM	REMARKS	
1	Cable Fitting	Brass	Nickel Plated	Blue	8	-	
-	1 Pressing Ring	Neoprene	-	Black	7	-	
-	1 Close Ring	Steel	Zinc Plated	Blue	6	-	
-	1 Pressing Screw	Brass	Nickel Plated	Blue	5	-	
1	Side Clip	V2A/ Steel	Zinc Plated	Blue	4	-	
-	1 Side Clip	Steel	-	-	3	-	
1	Surface Mounted Housing HA.16	Aluminium	Aluminium Oxide	Grey	2	-	
-	1 Surface Mounted Housing HA.16	Aluminium	-	Grey	1	-	
2-2	1-2	DESCRIPTION	MATERIAL	SURFACE	COLOR	ITEM	REMARKS

THIS DRAWING IS A CONTROLLED DOCUMENT FOR AMP INCORPORATED. IT IS SUBJECT TO CHANGE AND THE CONTROLLING ENGINEERING ORGANIZATION SHOULD BE CONTACTED FOR THE LATEST REVISION. DIESSES ZEICHNUNGSDOKUMENT WIRD DURCH AMP INCORPORATED KONTROLLIERT. ÄNDERUNGEN, DIE DEM TECHNISCHEN FORTSCHRITT DIENEIN, SIND VORBEHALTEN. DEN JEWELIGS LETZTGÜLTIGEN ÄNDERUNGSSTAND ERFAHREN SIE AUF ANFRAGE.

DIMENSIONS: DIMENSIONEN: mm	TOLERANCES UNLESS OTHERWISE SPECIFIED: ALLGEMEINTOLERANZEN
	n. ISO 8015 - m H-E n. ISO 2768 - 140 n. DIN 16901-
MATERIAL	FINISH / OBERFLÄECHE / FARBE

DWN	P.BENNUR	3/10/2006		Tyco / Electronics AMP GmbH D - 53819 Neunkirchen
CHK	R.SRINIVAS	3/10/2006		
APVD	T.SCHNURPFEIL	3/10/2006	NAME	
PRODUCT SPEC. / PRODUKTSPEZ.			SURFACE MOUNTED HOUSING	
APPLICATION SPEC. / VERARBEITUNGSSPEZ.			HA.16.SG-LB.1.16	
SIZE	CAGE CODE	DRAWING NO. / ZEICHNUNGS-NR.	RESTRICTED TO NUR FUER	
A3	00779	1102142		
CUSTOMER DRAWING / KUNDENZEICHNUNG			SCALE / MASSSTAB	1:1
			SHEET / BLATT	1 OF / VON 1
			REV.	A1

H:\HTS\EGGMA05416\1014\_HA\_16\1014\_HA\_16\_Rev1102142.dwg