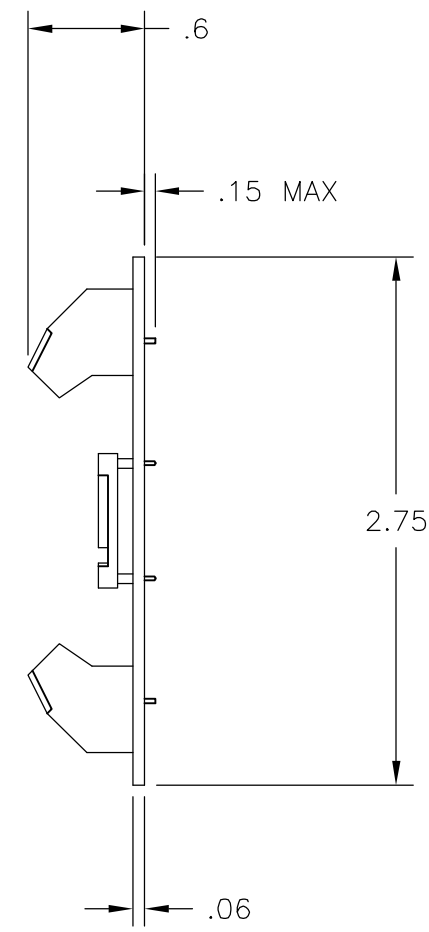
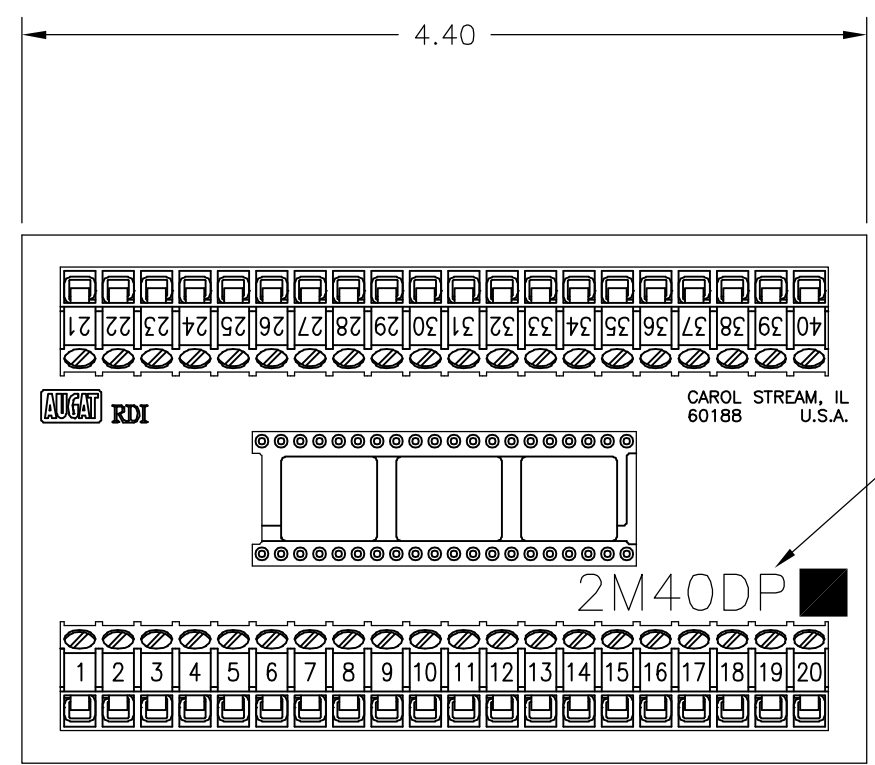


THIS DRAWING IS UNPUBLISHED. RELEASED FOR PUBLICATION
 © COPYRIGHT BY TYCO ELECTRONICS CORPORATION. ALL RIGHTS RESERVED.

LOC	DIST	REVISIONS					
FT	0	P	LTR	DESCRIPTION	DATE	DWN	APVD
			A	REVISED PER ECO-05-10413	9/30/05	SS	SRY



DIP SOCKET:
 MATERIALS:
 HOUSING: THERMOPLASTIC POLYESTER, 94V-0.
 CONTACTS: COPPER ALLOY, GOLD PLATED.

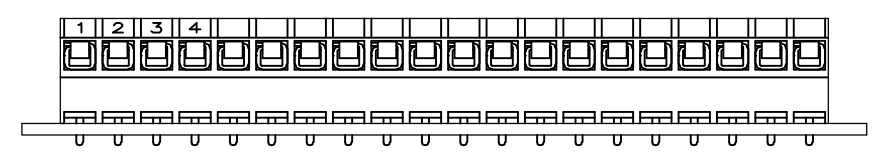
TERMINAL BLOCK:
 MATERIALS:
 HOUSING: THERMOPLASTIC NYLON, BLACK, 94V-0.
 TERMINALS: COPPER ALLOY, TIN PLATED.
 SCREWS: 3M, BRASS, NICKEL PLATED.

ELECTRICAL:
 RATING: 10A, 300V(UL).

MECHANICAL:
 WIRE RANGE: 14-22 AWG.

MOUNTING:
 MATERIALS:
 MOUNTING: 2TK2 AND 2TK2D SERIES SNAPLOCK,
 (SOLD SEPARATELY).

- ① CATALOG NUMBER MARKED HERE.
- ② CONTAINS NO TIN-LEAD PLATING.



②	2M40DPL	1776603-1
	2M40DP	2-1437684-4
	CATALOG NUMBER	PART NUMBER

THIS DRAWING IS A CONTROLLED DOCUMENT.		DWN M.S. FEHER 31MAR2004	Tyco Electronics Corporation Harrisburg, PA 17105-3608	
DIMENSIONS: INCHES		CHK S YODER 31MAR2004		
		APVD S YODER 31MAR2004	NAME 2M40DP ASSEMBLY	
TOLERANCES UNLESS OTHERWISE SPECIFIED:		PRODUCT SPEC	-	
0 PLC ± -		APPLICATION SPEC	-	
1 PLC ± .1		WEIGHT	-	
2 PLC ± .01		CUSTOMER DRAWING	SIZE A3	CAGE CODE 00779
3 PLC ± -		SCALE NTS	DRAWING NO C-2-1437684-4	RESTRICTED TO -
4 PLC ± -		SHEET 1 OF 1	REV A	
ANGLES ± -				
MATERIAL -				
FINISH -				