

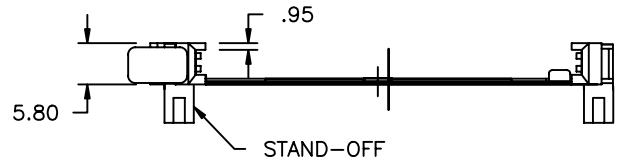
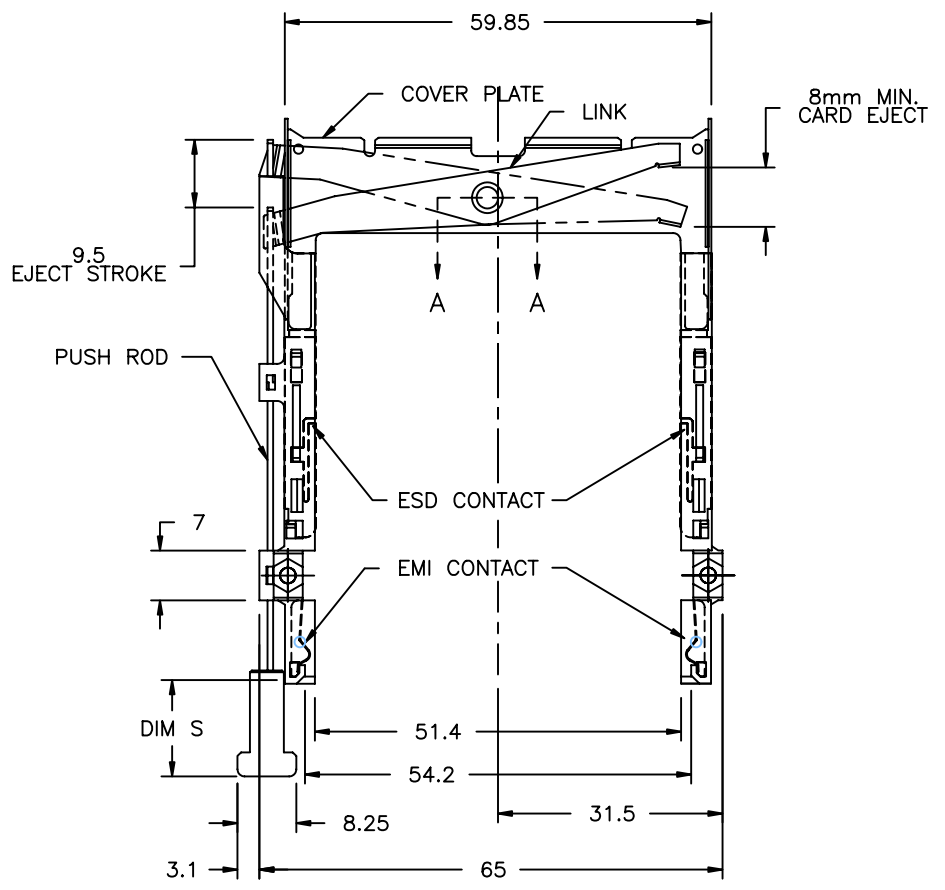
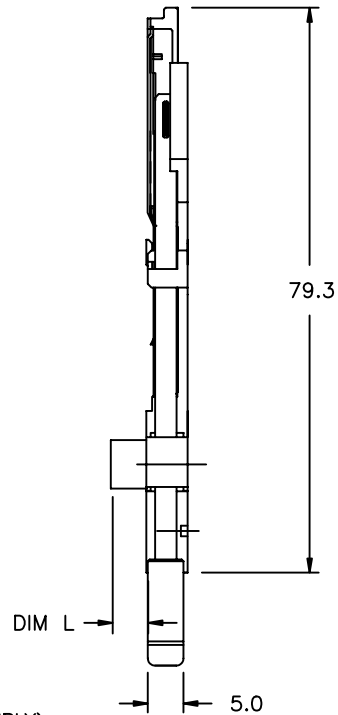
FCI CONFIDENTIAL

FCI

This document is the property of and embodies CONFIDENTIAL and PROPRIETARY information of FCI. No part of the information shown on this document may be used in any way or disclosed to others without the written consent of FCI. Copyright FCI.

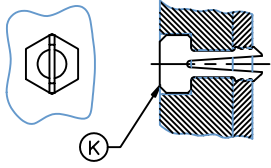
1 | 2 | 3 | 4 | 5 | 6

PRODUCT NO. NOTE ①		DIM L	DIM S
72336-100CA	72336-100CALF	0	13
72336-122CA	72336-122CALF	2.2	
72336-143CA	72336-143CALF	4.3	
72336-150CA	72336-150CALF	5	
72336-100DA	72336-100DALF	0	15.6
72336-122DA	72336-122DALF	2.2	
72336-143DA	72336-143DALF	4.3	
72336-150DA	72336-150DALF	5	
72336-100FA	72336-100FALF	0	21
72336-122FA	72336-122FALF	2.2	
72336-143FA	72336-143FALF	4.3	
72336-150FA	72336-150FALF	5	



NOTES:

① ADD "H" TO PART NUMBER FOR OPTIONAL HOLD DOWN (2 PER ASSEMBLY).



2. LINK TO MOVE ALONG INSIDE WALL OF COVER PLATE SMOOTHLY AFTER ASSEMBLING WITH HEADER.

3. MATERIAL:
 PLASTIC GUIDES: POLYPHTHARAMIDE UL94V-0
 COLOR: BLACK
 COVER PLATE: STAINLESS STEEL
 EMI CONTACT: PHOSPHOR BRONZE

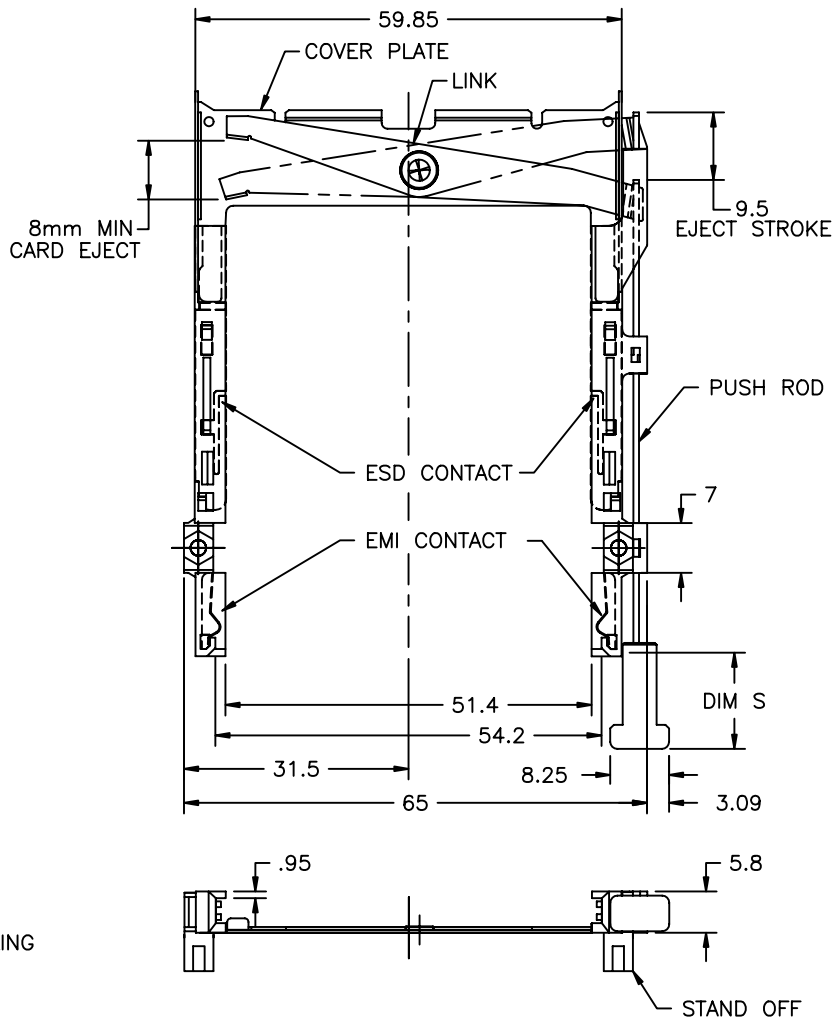
4. FINISH:
 EMI CONTACT: CONTACT AREA: 0.5um Au
 UNDER PLATING: 2.0um Ni

5. RECOMMENDED SCREW TORQUE:
 1.0-1.5 MAX IN-LBS(1.2-1.7 CM-KGS)

mat'l. code		surface	tolerance	projection	product family
		ISO 1302	ISO 406 ISO 1101		PCMCIA
ltr	ecn no	dr	date	tolerances unless otherwise specified	
C	T70090	RHG	4/28/97	angles	linear
D	V12231	TFG	9/19/01		.X±.3
E	N06-0188	MZ	07/12/06		.XX±.13
F	N08-0060	MZ	6/20/08	±2'	.XXX±.051
		dr	Mike Zhou	07/11/06	scale
		enr	Mike Zhou	07/11/06	
		chr	Qin David	07/11/06	
		appd	Jack Wang	07/11/06	
sheet	revision	F	F	F	
index	sheet	1	2	3	
title					NARROW BODY FRONT EJECT CARDBUS MECHANISM ASSEMBLY
dwg no					72336
sheet					1 of 3
type					CUSTOMER Drawing

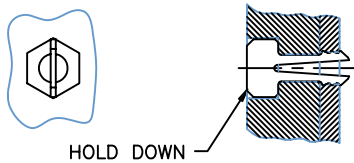


PRODUCT NO. NOTE ①		DIM L	DIM S
72336-000CA	72336-000CALF	0	13
72336-022CA	72336-022CALF	2.2	
72336-043CA	72336-043CALF	4.3	
72336-050CA	72336-050CALF	5	15.6
72336-000DA	72336-000DALF	0	
72336-022DA	72336-022DALF	2.2	
72336-043DA	72336-043DALF	4.3	
72336-050DA	72336-050DALF	5	21
72336-000FA	72336-000FALF	0	
72336-022FA	72336-022FALF	2.2	
72336-043FA	72336-043FALF	4.3	
72336-050FA	72336-050FALF	5	



NOTES:

① ADD "H" TO PART NUMBER FOR OPTIONAL HOLD DOWN (2 PER ASSEMBLY).



2. LINK TO MOVE ALONG INSIDE WALL OF COVER PLATE SMOOTHLY AFTER ASSEMBLING WITH HEADER.

3. MATERIAL:
 PLASTIC GUIDES: POLYPHTHARAMIDE UL94V-0
 COLOR: BLACK
 COVER PLATE: STAINLESS STEEL
 EMI CONTACT: PHOSPHOR BRONZE

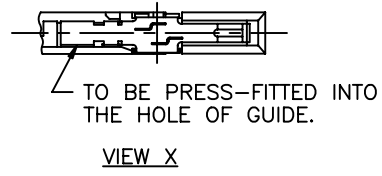
4. FINISH:
 EMI CONTACT: CONTACT AREA: 0.5um Au
 UNDER PLATING: 2.0um Ni

5. RECOMMENDED SCREW TORQUE:
 1.0-1.5 MAX IN-LBS(1.2-1.7 CM-KGS)

mat'l. code		surface	tolerance	projection	product family
		ISO 1302	ISO 406 ISO 1101		PCMCIA
ltr	ecm no	dr	date	tolerances unless otherwise specified	title
F				.X±.3 .XX±.13 .XXX±.051	NARROW BODY FRONT EJECT CARDBUS MECHANISM ASSEMBLY
		angles	linear	MM	dwg no
		±2'		scale	72336
		dr	Mike Zhou	07/11/06	sheet 2of 3 size
		enr	Mike Zhou	07/11/06	A4
		chr	Qin David	07/11/06	
		appd	Jack Wang	07/11/06	type CUSTOMER Drawing
sheet	revision				
index	sheet				

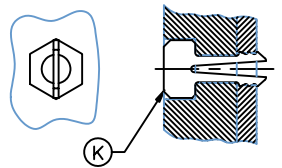
FCI CONFIDENTIAL

NOTE ①	PRODUCT NO.	① STAND-OFF PART NUM.	DIM L	DIM S	④ BUTTON PART NUM.	DIM M
72336-101CA	72336-100CALF	NONE	0	28.0	52211-002	103.05
72336-151CA	72336-150CALF	92706-005	5			



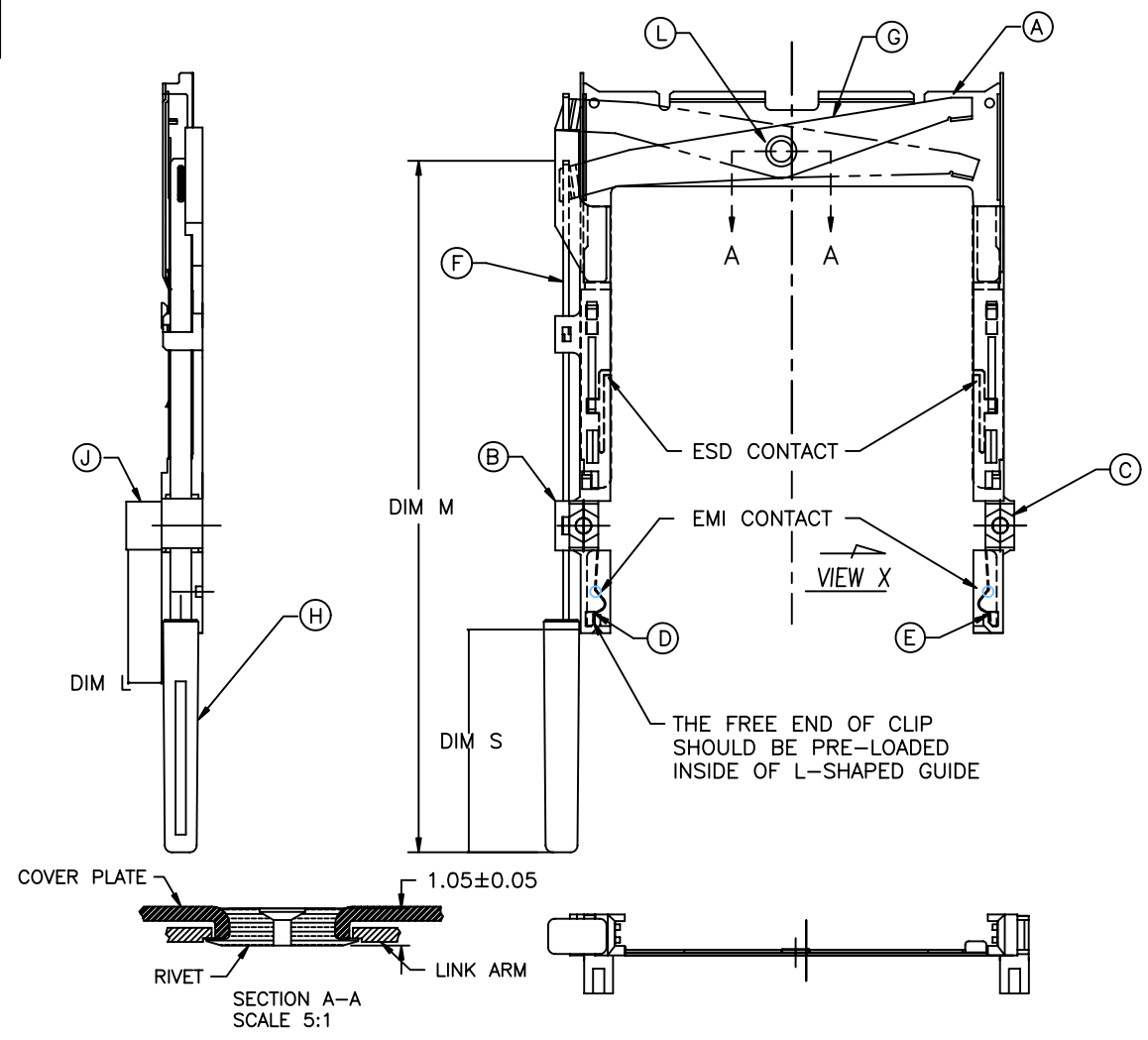
NOTES:

① ADD "H" TO PART NUMBER FOR OPTIONAL HOLD DOWN (2 PER ASSEMBLY).



PART NO.	STAND-OFF
93925-001	0mm
93925-002	2.2mm
93925-003	4.3mm
93925-004	5mm

2. PACKAGING SPECIFICATION: GS-14-382



①	DESCRIPTION	P/N	Q'TY
①	RIVET	61723-002	1
②	HOLD-DOWN	SEE NOTE 1	2
③	STAND-OFF	SEE TABLE ABOVE	2
④	BUTTON	SEE TABLE ABOVE	1
⑤	LINK ARM	72227-001	1
⑥	PUSH ROD	95081-001	1
⑦	CLIP RIGHT	94836-110M	1
⑧	CLIP LEFT	94837-110M	1
⑨	RIGHT GUIDE	71731-002	1
⑩	LEFT GUIDE	71730-001	1
⑪	COVER PLATE	72228-001	1

No. 72336-1XXXX

mat'l. code	surface ISO 1302	tolerance ISO 406 ISO 1101	projection	product family PCMCIA
ltr	ecn no	dr	date	title
F				NARROW BODY FRONT EJECT CARDBUS MECHANISM ASSEMBLY
				dwg no 72336 sheet 3of 3 size A4
				type CUSTOMER Drawing
sheet index	revision sheet			

This document is the property of and embodies CONFIDENTIAL and PROPRIETARY information of FCI. No part of the information shown on this document may be used in any way or disclosed to others without the written consent of FCI. Copyright FCI.

FCIconnect.com