

200 kHz Simple 3A Buck Regulator

Features

- Fixed 200 kHz Operation
- 3.3V, 5V, and Adjustable Output Versions
- Voltage Over Specified Line and Load Conditions:
 - Fixed version: $\pm 3\%$ maximum output voltage
 - Adjustable version: $\pm 2\%$ maximum feedback voltage
- Guaranteed 3A Switch Current
- Wide 4V to 36V Input Voltage Range
- Wide 1.23V to 33V Output Voltage Range
- Requires Minimum External Components
- $< 200 \mu\text{A}$ Typical Shutdown Mode
- 75% Efficiency (Adjustable Version $> 75\%$ Typical)
- Standard Inductors are 25% of Typical LM2576 Inductor Values
- Thermal Shutdown
- Overcurrent Protection
- 100% Electrical Thermal Limit Burn-In

Applications

- Simple High-Efficiency Step-Down (Buck) Regulator
- Efficient Preregulator for Linear Regulators
- On-Card Switching Regulators
- Positive-to-Negative Converter (Inverting Buck-Boost)
- Battery Charger
- Negative Boost Converter
- Step-Down to 3.3V for Intel Pentium™ and Similar Microprocessors

General Description

The MIC4576 is a series of easy-to-use fixed and adjustable BiCMOS step-down (buck) switch-mode voltage regulators. The 200 kHz MIC4576 duplicates the pinout and function of the 52 kHz LM2576. The higher switching frequency may allow up to a 2:1 reduction in output filter inductor size.

The MIC4576 is available in 3.3V, and 5V fixed output versions or a 1.23V to 33V adjustable output version. Both versions are capable of driving a 3A load with excellent line and load regulation.

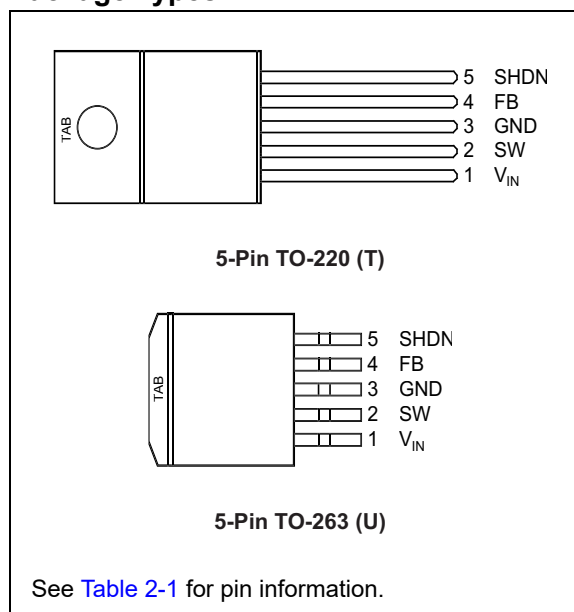
The feedback voltage is guaranteed to $\pm 2\%$ tolerance for adjustable versions, and the output voltage is guaranteed to $\pm 3\%$ for fixed versions, within specified voltages and load conditions. The oscillator frequency is guaranteed to $\pm 10\%$.

In Shutdown mode, the regulator draws less than 200 μA shutdown current. The regulator performs cycle-by-cycle current limiting and thermal shutdown for protection under fault conditions.

This series of simple switch-mode regulators requires a minimum number of external components and can operate using a standard series of inductors. Frequency compensation is provided internally.

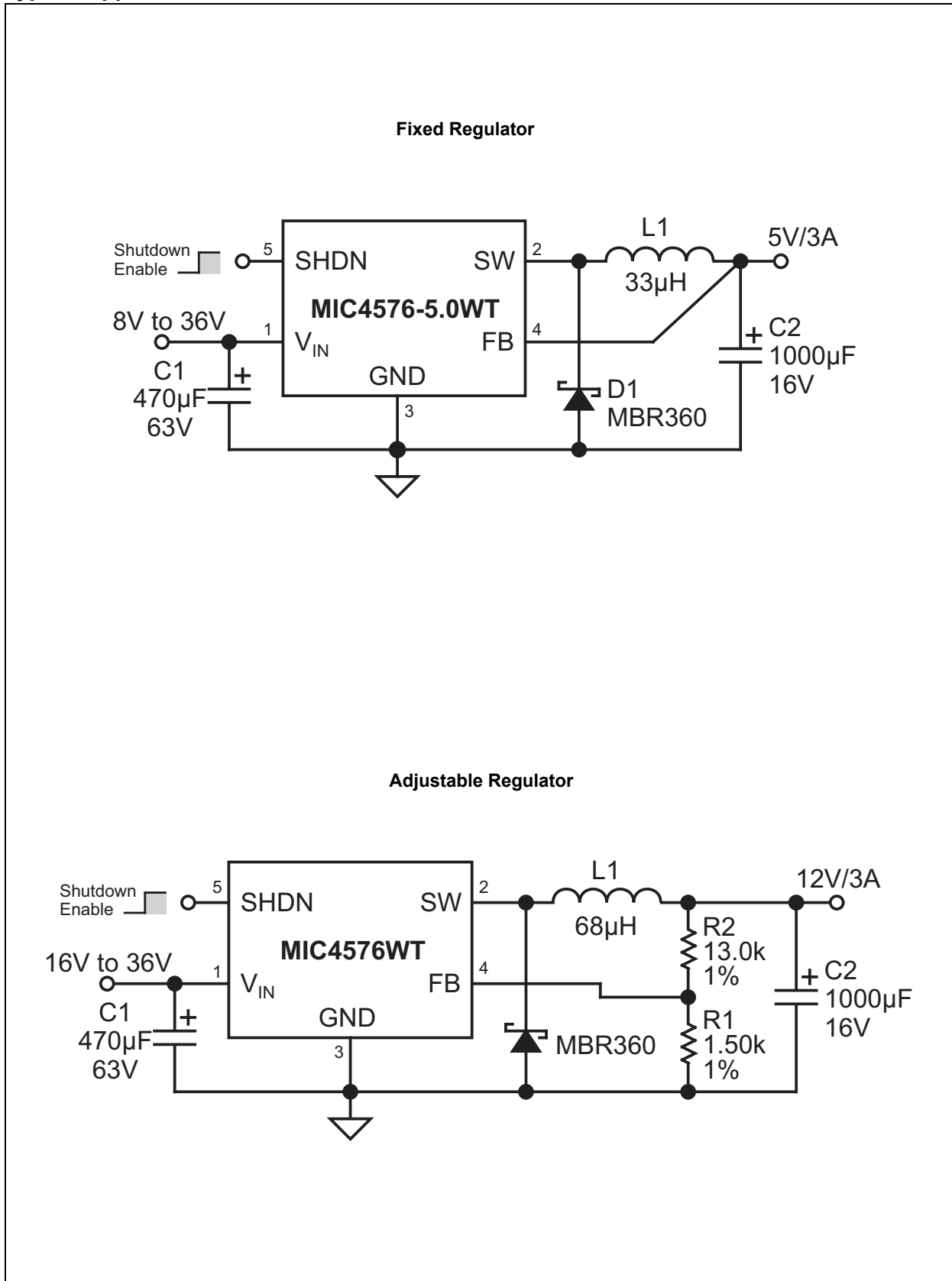
The MIC4576 is available in TO-220 (T) and TO-263 (U) packages for the industrial temperature range.

Package Types

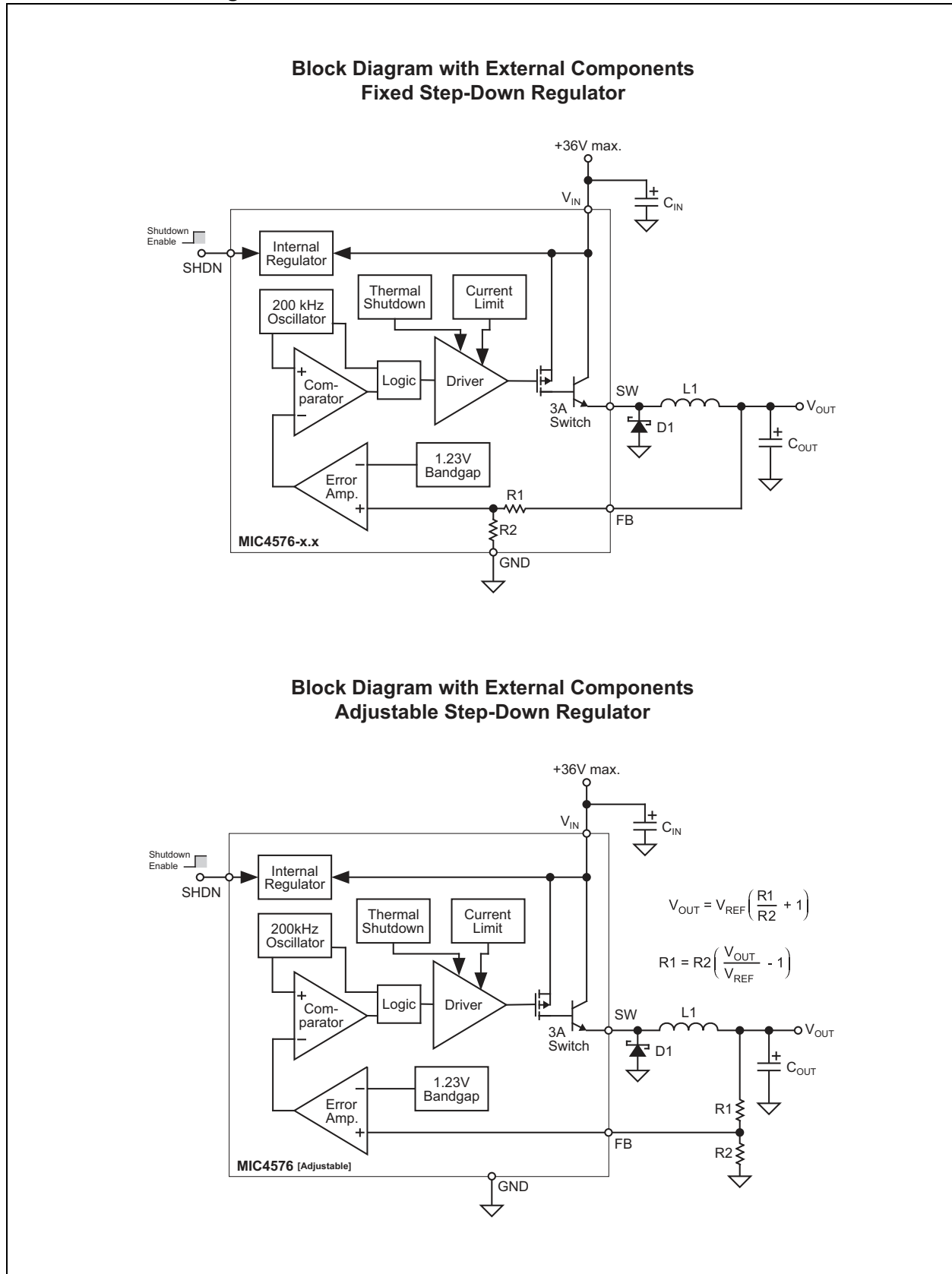


MIC4576

Typical Application Circuit



Functional Block Diagram



MIC4576

1.0 ELECTRICAL CHARACTERISTICS

Absolute Maximum Ratings †

Supply Voltage (V_{IN}).....	+40V
Shutdown Voltage (V_{SHDN}).....	-0.3V to +36V
Output Switch (V_{SW}), Steady State.....	-1V
Feedback Voltage (V_{FB}) [Adjustable].....	+3.8V
Storage Temperature (T_S).....	-65°C to +150°C
Junction Temperature (T_J).....	+150°C

Operating Ratings ††

Supply Voltage (V_{IN}).....	+36V
Junction Temperature (T_J).....	-40°C to +85°C
Package Thermal Resistance	
TO-220, TO-263 (θ_{JA}).....	65°C/W
TO-220, TO-263 (θ_{JC}).....	2°C/W

† Notice: Stresses above those listed under “Absolute Maximum Ratings” may cause permanent damage to the device. This is a stress rating only and functional operation of the device at those or any other conditions above those indicated in the operational sections of this specification is not intended. Exposure to maximum rating conditions for extended periods may affect device reliability.

†† Notice: The device is not guaranteed to function outside its operating ratings.

Note 1: The maximum allowable power dissipation of any T_A (ambient temperature) is $P_{D(MAX)} = (T_{J(MAX)} - T_A)/\theta_{JA}$. Exceeding the maximum allowable power dissipation will result in excessive die temperature, and the regulator will go into thermal shutdown.

2: Devices are ESD sensitive. Handling precautions are recommended. Human body model, 1.5 k Ω in series with 100pF.

ELECTRICAL CHARACTERISTICS

Electrical Characteristics: $V_{IN} = 12V$; $I_{LOAD} = 500\text{ mA}$; $T_J = +25^\circ\text{C}$, **bold** values indicate $-40^\circ\text{C} \leq T_J \leq +85^\circ\text{C}$, unless noted.

Parameter	Sym.	Min.	Typ.	Max.	Units	Conditions
MIC4576 (Adjustable)						
Feedback Voltage	V_{FB}	1.217	1.230	1.243	V	
Feedback Voltage	V_{FB}	1.193	1.230	1.267	V	$8V \leq V_{IN} \leq 36V, 0.5A \leq I_{LOAD} \leq 3A$
		1.180	—	1.280	V	
Efficiency	η	—	77	—	%	$I_{LOAD} = 3A$, Note 1
Maximum Duty Cycle (On)	D_{MAX}	90	95	—	%	$V_{FB} = 1.0V$
SW Leakage Current	I_{SW_LK}	—	0	2	mA	$V_{IN} = 36V, V_{FB} = 1.5V, V_{SW} = 0V$
		—	7.5	35	mA	$V_{IN} = 36V, V_{FB} = 1.5V, V_{SW} = -1V$
Quiescent Current	I_Q	—	5	10	mA	$V_{FB} = 1.5V$
Feedback Bias Current	I_{FB}	—	50	100	nA	
		—	—	500	nA	
MIC4576-3.3						
Output Voltage	V_{OUT}	3.234	3.3	3.366	V	
Output Voltage	V_{OUT}	3.168	3.3	3.432	V	$6V \leq V_{IN} \leq 36V, 0.5A \leq I_{LOAD} \leq 3A$
		3.135	—	3.465	V	
Efficiency	η	—	72	—	%	$I_{LOAD} = 3A$
Maximum Duty Cycle (On)	D_{MAX}	90	95	—	%	$V_{FB} = 2.5V$
SW Leakage Current	I_{SW_LK}	—	0	2	mA	$V_{IN} = 36V, V_{FB} = 4V, V_{SW} = 0V$
		—	7.5	35	mA	$V_{IN} = 36V, V_{FB} = 4V, V_{SW} = -1V$
Quiescent Current	I_Q	—	5	10	mA	$V_{FB} = 4.0V$
MIC4576-5.0						
Output Voltage	V_{OUT}	4.900	5.0	5.100	V	
Output Voltage	V_{OUT}	4.800	5.0	5.200	V	$8V \leq V_{IN} \leq 36V, 0.5A \leq I_{LOAD} \leq 3A$
		4.750	—	5.250	V	
Efficiency	η	—	77	—	%	$I_{LOAD} = 3A$
Maximum Duty Cycle (On)	D_{MAX}	90	95	—	%	$V_{FB} = 4.0V$
SW Leakage Current	I_{SW_LK}	—	0	2	mA	$V_{IN} = 36V, V_{FB} = 6V, V_{SW} = 0V$
		—	7.5	35	mA	$V_{IN} = 36V, V_{FB} = 6V, V_{SW} = -1V$
Quiescent Current	I_Q	—	5	10	mA	$V_{FB} = 6.0V$
MIC4576/-3.3/-5.0						
Oscillator Frequency	f_{SW}	180	200	220	kHz	
Saturation Voltage	V_{SAT}	—	1.7	2.3	V	$I_{OUT} = 3A$
		—	—	2.5	V	
Current Limit	I_{CLIM}	4.2	5.2	7.9	A	Peak current, $t_{ON} \leq 3\text{ }\mu\text{s}$; $V_{FB} = 0V$
		3.5	—	8.5	A	
Shutdown Current	I_{SD}	—	50	200	μA	$V_{SHDN} = 5V$ (regulator off), $V_{FB} = 0V$

Note 1: $V_{OUT} = 5V$.

MIC4576

ELECTRICAL CHARACTERISTICS (CONTINUED)

Electrical Characteristics: $V_{IN} = 12V$; $I_{LOAD} = 500\text{ mA}$; $T_J = +25^\circ\text{C}$, **bold** values indicate $-40^\circ\text{C} \leq T_J \leq +85^\circ\text{C}$, unless noted.

Parameter	Sym.	Min.	Typ.	Max.	Units	Conditions
SHDN Turn-off Threshold	V_{SDTH_OFF}	—	1.4	—	V	Regulator turns off
SHDN Turn-on Threshold	V_{SDTH_ON}	—	1.2	—	V	Regulator turns on
SHDN Input Logic Level	V_{IH}	2.4	—	—	V	$V_{OUT} = 0V$ (regulator off)
	V_{IL}	—	—	0.8	V	$V_{OUT} = 3.3V$ or $5V$ (regulator on)
SHDN Input Current	I_{IH}	—	4	30	μA	$V_{SHDN} = 5V$ (regulator off)
	I_{IL}	-10	0.01	10	μA	$V_{SHDN} = 0V$ (regulator on)

Note 1: $V_{OUT} = 5V$.

TEMPERATURE SPECIFICATIONS

Parameter	Sym.	Min.	Typ.	Max.	Units	Conditions
Temperature Ranges						
Operating Junction Temperature	T_J	-40	—	+85	$^\circ\text{C}$	
Maximum Junction Temperature	$T_{J(ABSMAX)}$	—	—	+150	$^\circ\text{C}$	
Storage Temperature	T_S	-65	—	+150	$^\circ\text{C}$	
Package Thermal Resistances						
Thermal Resistance, TO-220	θ_{JA}	—	65	—	$^\circ\text{C}/\text{W}$	Junction to air
Thermal Resistance, TO-220	θ_{JC}	—	2	—	$^\circ\text{C}/\text{W}$	Junction to case
Thermal Resistance, TO-263	θ_{JA}	—	65	—	$^\circ\text{C}/\text{W}$	Junction to air
Thermal Resistance, TO-263	θ_{JC}	—	2	—	$^\circ\text{C}/\text{W}$	Junction to case

2.0 PIN DESCRIPTION

The description of the pins are listed in [Table 2-1](#).

TABLE 2-1: PIN FUNCTION TABLE

Pin Number	Pin Name	Description
1	VIN	Supply Voltage (Input): Unregulated +4V to +36V supply voltage.
2	SW	Switch (Output): Emitter of NPN output switch. Connect to external storage inductor and Schottky diode.
3, TAB	GND	Ground.
4	FB	Feedback (Input): Output voltage feedback to regulator. Connect to output of regular application circuit for fixed versions. Connect to 1.23V tap of resistive divider for adjustable versions.
5	SHDN	Shutdown (Input): Logic low enables regulator. Logic high (> 2.4V) shuts down regulator.

MIC4576

3.0 FUNCTIONAL DESCRIPTION

The MIC4576 is a variable duty cycle switch-mode regulator with an internal power switch. Refer to the “**Functional Block Diagram**”.

3.1 Supply Voltage

The MIC4576 operates from a +4V to +36V unregulated input. Highest efficiency operation is from a supply voltage around +15V.

3.2 Enable/Shutdown

The shutdown (SHDN) input is TTL compatible. Ground the input if unused. A logic low enables the regulator. A logic high shuts down the regulator which reduces the device current consumption to typically 50 μ A.

3.3 Feedback

Fixed versions of the regulator have an internal resistive divider from the feedback (FB) pin. Connect the FB pin directly to the output line.

Adjustable versions require an external resistive voltage divider from the output voltage to ground, connected from the 1.23V tap to the FB pin.

3.4 Duty Cycle Control

A fixed-gain error amplifier compares the feedback signal with a 1.23V bandgap voltage reference. The resulting error amplifier output voltage is compared to a 200 kHz sawtooth waveform to produce a voltage controlled variable duty cycle output.

A higher feedback voltage increases the error amplifier output voltage. A higher error amplifier voltage (comparator inverting input) causes the comparator to detect only the peaks of the sawtooth, reducing the duty cycle of the comparator output. A lower feedback voltage increases the duty cycle.

3.5 Output Switching

When the internal switch is on, an increasing current flows from the supply V_{IN} , through external storage inductor L1, to output capacitor C_{OUT} and the load. Energy is stored in the inductor as the current increases with time.

When the internal switch is turned off, the collapse of the magnetic field in L1 forces current to flow through fast recovery diode D1, charging C_{OUT} .

3.6 Output Capacitor

External output capacitor C_{OUT} provides stabilization and reduces ripple.

3.7 Return Paths

During the on portion of the cycle, the output capacitor and load currents return to the supply ground. During the off portion of the cycle, current is being supplied to the output capacitor and load by storage inductor L1, which means that D1 is part of the high-current return path.

4.0 APPLICATION INFORMATION

The applications circuit that follow have been constructed and tested. For additional information, refer to the MIC4576 product webpage from the Microchip website at www.microchip.com for the following Application Notes:

- For information on efficiency graphs, addresses and telephone numbers of the manufacturer for most circuits, refer to the “*Practical Switching Regulator Circuits*” (AN15).
- For a mathematical approach to component selection and circuit design, refer to the “*200kHz MIC4574/5/6 Family Design Guide*” (AN14).

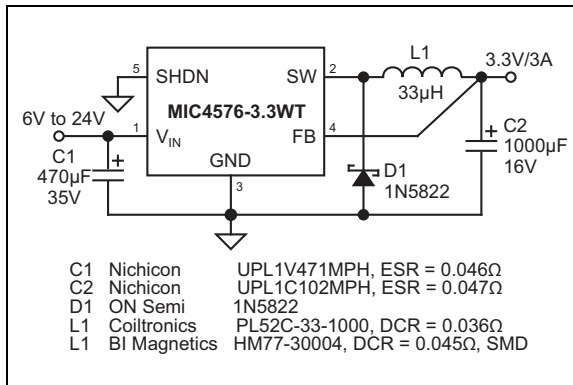


FIGURE 4-1: 6V-24V to 3.3V/3A Buck Converter Through Hole.

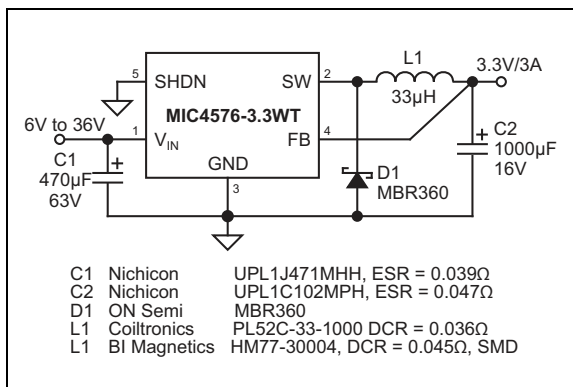


FIGURE 4-2: 6V-36V to 3.3V/3A Buck Converter Through Hole.

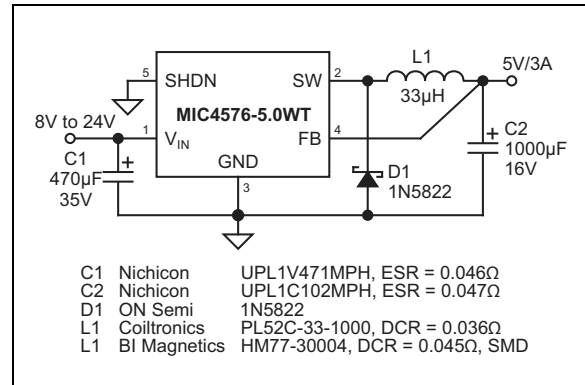


FIGURE 4-3: 8V-24V to 5V/3A Buck Converter Through Hole.

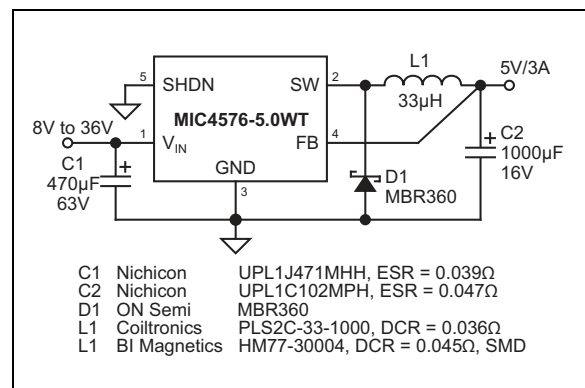


FIGURE 4-4: 8V-36V to 5V/3A Buck Converter Through Hole.

MIC4576

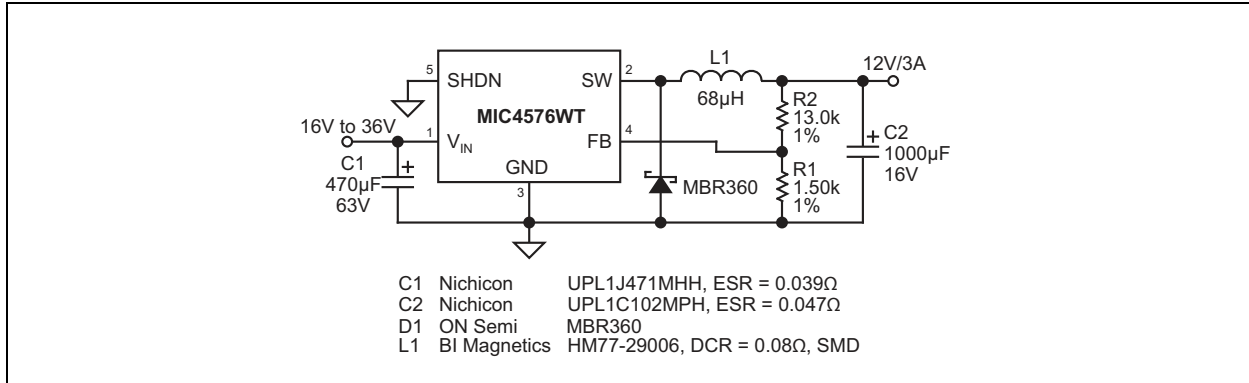


FIGURE 4-5: 16V-36V to 12V/3A Buck Converter Through Hole.

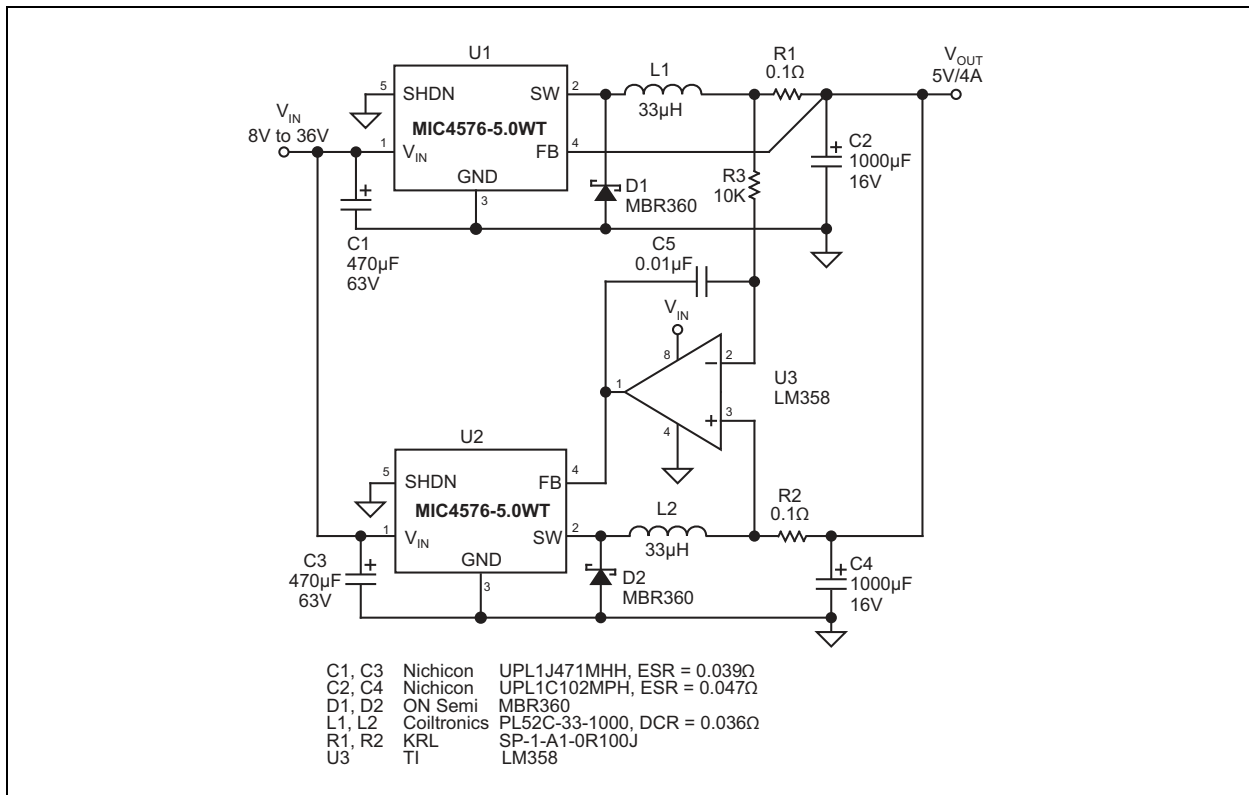


FIGURE 4-6: Parallel Switching Regulators.

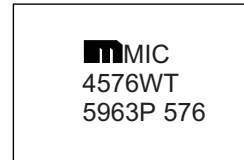
5.0 PACKAGING INFORMATION

5.1 Package Marking Information

5-Lead TO-220
Adjustable Output



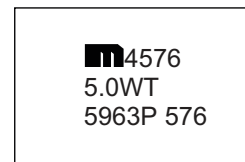
Example



5-Lead TO-220
Fixed Output



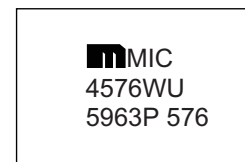
Example



5-Lead TO-263
Adjustable Output



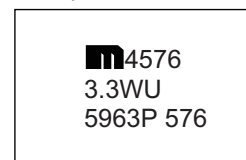
Example



5-Lead TO-263
Fixed Output



Example



Legend:	XX...X	Product code or customer-specific information
	Y	Year code (last digit of calendar year)
	YY	Year code (last 2 digits of calendar year)
	WW	Week code (week of January 1 is week '01')
	NNN	Alphanumeric traceability code
	(e3)	Pb-free JEDEC® designator for Matte Tin (Sn)
	*	This package is Pb-free. The Pb-free JEDEC designator (e3) can be found on the outer packaging for this package.
	•, ▲, ▼	Pin one index is identified by a dot, delta up, or delta down (triangle mark).

Note: In the event the full Microchip part number cannot be marked on one line, it will be carried over to the next line, thus limiting the number of available characters for customer-specific information. Package may or may not include the corporate logo.

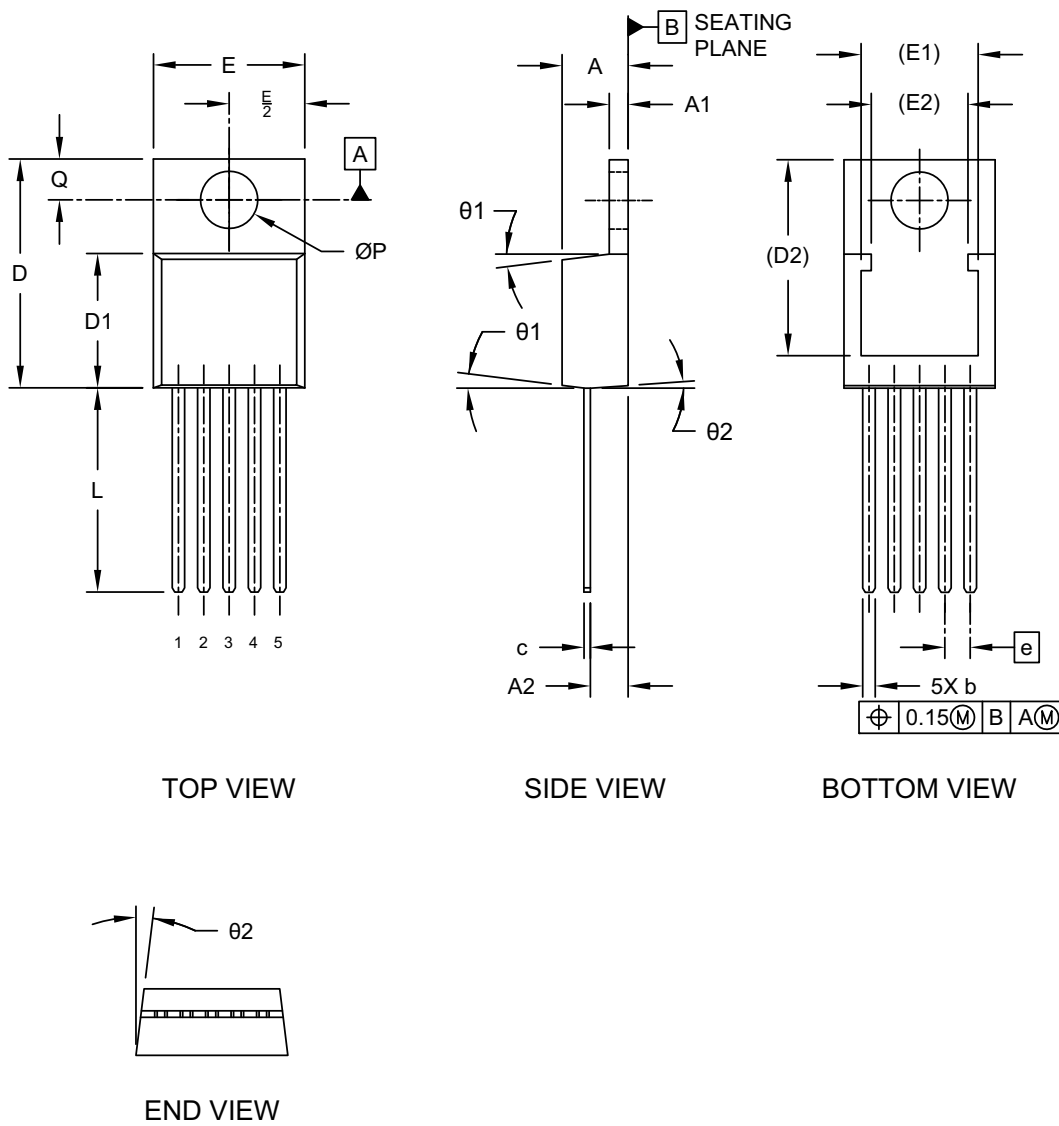
Underbar (_) and/or Overbar (¯) symbol may not be to scale.

MIC4576

5.2 Package Outline Drawing

5-Lead Transistor Outline Type LB03 (B8X) - [TO-220] Micrel Legacy Package TO220-LB03-5LD-PL-1

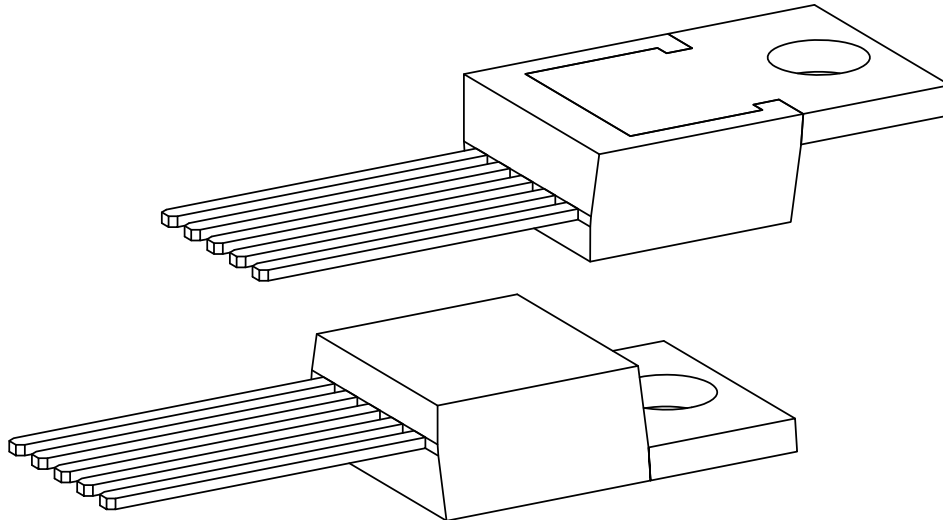
Note: For the most current package drawings, please see the Microchip Packaging Specification located at <http://www.microchip.com/packaging>



Microchip Technology Drawing C04-036 Rev D Sheet 1 of 2

5-Lead Transistor Outline Type LB03 (B8X) - [TO-220] Micrel Legacy Package TO220-LB03-5LD-PL-1

Note: For the most current package drawings, please see the Microchip Packaging Specification located at <http://www.microchip.com/packaging>



Dimension Limits		INCHES		
		Min	Nom	Max
Number of Leads	N	5		
Pitch	e	.067 BSC		
Overall Height	A	.160	.175	.190
Tab Height	A1	.045	.050	.055
Seating Plane to Lead	A2	.080	.098	.115
Lead Width	b	.025	.033	.040
Lead Thickness	c	.012	.016	.020
Lead Length	L	.500	.540	.580
Total Body Length Including Tab	D	.542	.580	.619
Molded Body Length	D1	.348	.354	.360
Total Width	E	.380	.400	.420
Pad Width	E1	0.256 REF		
Pad Length	D2	0.486 REF		
Hole Diameter	ØP	.146	.151	.156
Hole Center to Tab Edge	Q	.103	.108	.113
Molded Body Draft Angle	θ1	3	7	10
Molded Body Draft Angle	θ2	1	4	7

Notes:

- Pin 1 visual index feature may vary, but must be located within the hatched area.
- Dimensioning and tolerancing per ASME Y14.5M
BSC: Basic Dimension. Theoretically exact value shown without tolerances.
REF: Reference Dimension, usually without tolerance, for information purposes only.

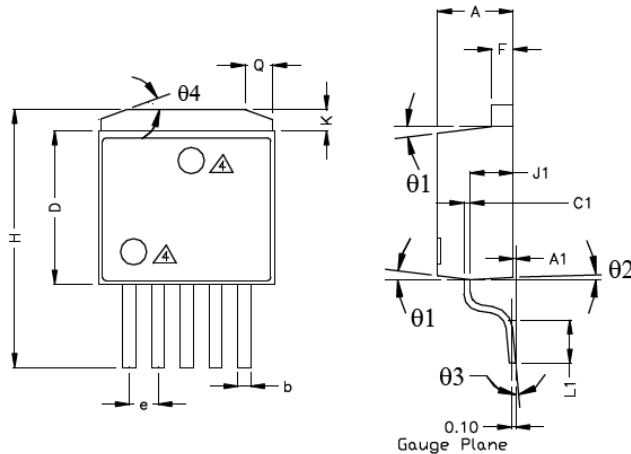
Microchip Technology Drawing C04-036 Rev D Sheet 2 of 2

MIC4576

TITLE

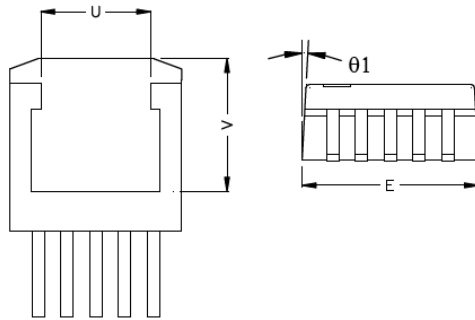
5 LEAD T0263 PACKAGE OUTLINE & RECOMMENDED LAND PATTERN

DRAWING #	T0263-5LD-PL-1	UNIT	INCH/MM
------------------	----------------	-------------	---------



TOP VIEW

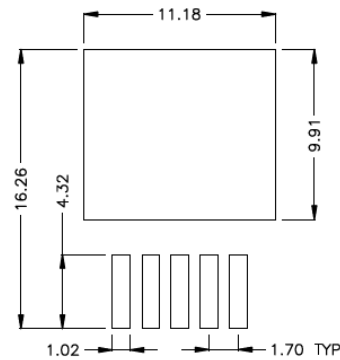
SIDE VIEW 1



BOTTOM VIEW

SIDE VIEW 2

POS	INCH		MM	
	MIN	MAX	MIN	MAX
A	0.170	0.181	4.318	4.597
A1	0.000	0.012	0.000	0.305
b	0.026	0.036	0.660	0.914
C1	0.012	0.023	0.305	0.584
D	0.330	0.361	8.392	9.169
E	0.396	0.420	10.058	10.668
e	0.062	0.072	1.575	1.829
F	0.045	0.055	1.143	1.397
H	0.575	0.625	14.605	15.875
J1	0.080	0.120	2.032	3.048
K	0.045	0.066	1.143	1.676
L1	0.090	0.110	2.286	2.794
theta 1	3°	10°	3°	10°
theta 2	1°	7°	1°	7°
theta 3	0°	8°	0°	8°
theta 4	18°	22°	18°	22°
Q	0.055	0.075	1.397	1.905
U	0.256	Ref.	6.502	Ref.
V	0.305	Ref.	7.747	Ref.



RECOMMENDED LAND PATTERN
(UNIT : mm)

- NOTE:
1. PACKAGE OUTLINE EXCLUSIVE OF MOLD FLASH & METAL BURR.
 2. PACKAGE OUTLINE INCLUSIVE OF PLATING THICKNESS.
 3. FOOT LENGTH USING GAUGE PLANE METHOD MEASUREMENT 0.010"
 4. PACKAGE TOP MARK MAY BE IN TOP CENTER OR LOWER LEFT CORNER
 5. ALL DIMENSIONS ARE IN INCHES/MILLIMETERS.

Note: For the most current package drawings, please see the Microchip Packaging Specification located at <http://www.microchip.com/packaging>.

APPENDIX A: REVISION HISTORY

Revision A (December 2019)

- Converted Micrel document MIC4576 to Microchip data sheet DS20006158A.
- Changed the package marking format.
- Made minor text changes throughout the document.

MIC4576

NOTES:

PRODUCT IDENTIFICATION SYSTEM

To order or obtain information, e.g., on pricing or delivery, contact your local Microchip representative or sales office.

Device	-	<u>X.X</u>	<u>X</u>	<u>X</u>	-	<u>XX</u>
Part No.		Output Voltage	Temperature Range	Package		Media Type
Device:		MIC4576:	200 kHz 3A Step-Down Regulator			
Output Voltage:		3.3	=	3.3V Fixed		
		5.0	=	5.0V Fixed		
		<blank>	=	Adjustable		
Temperature Range:		W	=	-40°C to +85°C, Industrial, RoHS-Compliant		
Package:		T	=	5-Lead TO-220*		
		U	=	5-Lead TO-263 (DDPAK)		
Media Type:		<blank>	=	50/Tube (T, TO-220 & U, DDPAK)		
		TR	=	750/Reel (U, DDPAK)		
Note:	Tube ship media type is available for TO-220, DDPAK packages					
	* Contact MCHP Sales for bent or staggered lead options.					
Examples:						
a) MIC4576WT:	200 kHz 3A Step-Down Regulator, Adjustable Output Voltage, -40°C to +85°C Temperature Range, 5-Lead TO-220 Package, 50/Tube					
b) MIC4576-3.3WU:	200 kHz 3A Step-Down Regulator, 3.3V Fixed Output Voltage, -40°C to +85°C Temperature Range, 5-Lead DDPAK Package, 50/Tube					
c) MIC4576-3.3WU-TR:	200 kHz 3A Step-Down Regulator, 3.3V Fixed Output Voltage, -40°C to +85°C Temperature Range, 5-Lead DDPAK Package, 750/Reel					
d) MIC4576-5.0WT:	200 kHz 3A Step-Down Regulator, 5.0V Fixed Output Voltage, -40°C to +85°C Temperature Range, 5-Lead TO-220 Package, 50/Tube					
e) MIC4576WU-TR:	200 kHz 3A Step-Down Regulator, Adjustable Output Voltage, -40°C to +85°C Temperature Range, 5-Lead DDPAK Package, 750/Reel					
Note 1:	Tape and Reel identifier only appears in the catalog part number description. This identifier is used for ordering purposes and is not printed on the device package. Check with your Microchip Sales Office for package availability with the Tape and Reel option.					

MIC4576

NOTES:

Note the following details of the code protection feature on Microchip devices:

- Microchip products meet the specification contained in their particular Microchip Data Sheet.
- Microchip believes that its family of products is one of the most secure families of its kind on the market today, when used in the intended manner and under normal conditions.
- There are dishonest and possibly illegal methods used to breach the code protection feature. All of these methods, to our knowledge, require using the Microchip products in a manner outside the operating specifications contained in Microchip's Data Sheets. Most likely, the person doing so is engaged in theft of intellectual property.
- Microchip is willing to work with the customer who is concerned about the integrity of their code.
- Neither Microchip nor any other semiconductor manufacturer can guarantee the security of their code. Code protection does not mean that we are guaranteeing the product as “unbreakable.”

Code protection is constantly evolving. We at Microchip are committed to continuously improving the code protection features of our products. Attempts to break Microchip's code protection feature may be a violation of the Digital Millennium Copyright Act. If such acts allow unauthorized access to your software or other copyrighted work, you may have a right to sue for relief under that Act.

Information contained in this publication regarding device applications and the like is provided only for your convenience and may be superseded by updates. It is your responsibility to ensure that your application meets with your specifications. MICROCHIP MAKES NO REPRESENTATIONS OR WARRANTIES OF ANY KIND WHETHER EXPRESS OR IMPLIED, WRITTEN OR ORAL, STATUTORY OR OTHERWISE, RELATED TO THE INFORMATION, INCLUDING BUT NOT LIMITED TO ITS CONDITION, QUALITY, PERFORMANCE, MERCHANTABILITY OR FITNESS FOR PURPOSE. Microchip disclaims all liability arising from this information and its use. Use of Microchip devices in life support and/or safety applications is entirely at the buyer's risk, and the buyer agrees to defend, indemnify and hold harmless Microchip from any and all damages, claims, suits, or expenses resulting from such use. No licenses are conveyed, implicitly or otherwise, under any Microchip intellectual property rights unless otherwise stated.

Trademarks

The Microchip name and logo, the Microchip logo, Adaptec, AnyRate, AVR, AVR logo, AVR Freaks, BesTime, BitCloud, chipKIT, chipKIT logo, CryptoMemory, CryptoRF, dsPIC, FlashFlex, flexPWR, HELDO, IGLoo, JukeBlox, KeeLoq, Klear, LANCheck, LinkMD, maXStylus, maXTouch, MediaLB, megaAVR, Microsemi, Microsemi logo, MOST, MOST logo, MPLAB, OptoLyzer, PackeTime, PIC, picoPower, PICSTART, PIC32 logo, PolarFire, Prochip Designer, QTouch, SAM-BA, SenGenuity, SpyNIC, SST, SST Logo, SuperFlash, Symmetricom, SyncServer, Tachyon, TempTrackr, TimeSource, tinyAVR, UNI/O, Vectron, and XMEGA are registered trademarks of Microchip Technology Incorporated in the U.S.A. and other countries.

APT, ClockWorks, The Embedded Control Solutions Company, EtherSynch, FlashTec, Hyper Speed Control, HyperLight Load, IntelliMOS, Libero, motorBench, mTouch, Powermite 3, Precision Edge, ProASIC, ProASIC Plus, ProASIC Plus logo, Quiet-Wire, SmartFusion, SyncWorld, Temux, TimeCesium, TimeHub, TimePictra, TimeProvider, Vite, WinPath, and ZL are registered trademarks of Microchip Technology Incorporated in the U.S.A.

Adjacent Key Suppression, AKS, Analog-for-the-Digital Age, Any Capacitor, AnyIn, AnyOut, BlueSky, BodyCom, CodeGuard, CryptoAuthentication, CryptoAutomotive, CryptoCompanion, CryptoController, dsPICDEM, dsPICDEM.net, Dynamic Average Matching, DAM, ECAN, EtherGREEN, In-Circuit Serial Programming, ICSP, INICnet, Inter-Chip Connectivity, JitterBlocker, KlearNet, KlearNet logo, memBrain, Mindi, MiWi, MPASM, MPF, MPLAB Certified logo, MPLIB, MPLINK, MultiTRAK, NetDetach, Omniscient Code Generation, PICDEM, PICDEM.net, PICKit, PICtail, PowerSmart, PureSilicon, QMatrix, REAL ICE, Ripple Blocker, SAM-ICE, Serial Quad I/O, SMART-I.S., SQI, SuperSwitcher, SuperSwitcher II, Total Endurance, TSHARC, USBCheck, VariSense, ViewSpan, WiperLock, Wireless DNA, and ZENA are trademarks of Microchip Technology Incorporated in the U.S.A. and other countries.

SQTP is a service mark of Microchip Technology Incorporated in the U.S.A.

The Adaptec logo, Frequency on Demand, Silicon Storage Technology, and Symmcom are registered trademarks of Microchip Technology Inc. in other countries.

GestIC is a registered trademark of Microchip Technology Germany II GmbH & Co. KG, a subsidiary of Microchip Technology Inc., in other countries.

All other trademarks mentioned herein are property of their respective companies.

© 2019, Microchip Technology Incorporated, All Rights Reserved.

ISBN: 978-1-5224-5395-6

For information regarding Microchip's Quality Management Systems, please visit www.microchip.com/quality.



MICROCHIP

Worldwide Sales and Service

AMERICAS

Corporate Office
2355 West Chandler Blvd.
Chandler, AZ 85224-6199
Tel: 480-792-7200
Fax: 480-792-7277
Technical Support:
<http://www.microchip.com/support>
Web Address:
www.microchip.com

Atlanta

Duluth, GA
Tel: 678-957-9614
Fax: 678-957-1455

Austin, TX

Tel: 512-257-3370

Boston

Westborough, MA
Tel: 774-760-0087
Fax: 774-760-0088

Chicago

Itasca, IL
Tel: 630-285-0071
Fax: 630-285-0075

Dallas

Addison, TX
Tel: 972-818-7423
Fax: 972-818-2924

Detroit

Novi, MI
Tel: 248-848-4000

Houston, TX

Tel: 281-894-5983

Indianapolis

Noblesville, IN
Tel: 317-773-8323
Fax: 317-773-5453
Tel: 317-536-2380

Los Angeles

Mission Viejo, CA
Tel: 949-462-9523
Fax: 949-462-9608
Tel: 951-273-7800

Raleigh, NC

Tel: 919-844-7510

New York, NY

Tel: 631-435-6000

San Jose, CA

Tel: 408-735-9110
Tel: 408-436-4270

Canada - Toronto

Tel: 905-695-1980
Fax: 905-695-2078

ASIA/PACIFIC

Australia - Sydney
Tel: 61-2-9868-6733

China - Beijing
Tel: 86-10-8569-7000

China - Chengdu
Tel: 86-28-8665-5511

China - Chongqing
Tel: 86-23-8980-9588

China - Dongguan
Tel: 86-769-8702-9880

China - Guangzhou
Tel: 86-20-8755-8029

China - Hangzhou
Tel: 86-571-8792-8115

China - Hong Kong SAR
Tel: 852-2943-5100

China - Nanjing
Tel: 86-25-8473-2460

China - Qingdao
Tel: 86-532-8502-7355

China - Shanghai
Tel: 86-21-3326-8000

China - Shenyang
Tel: 86-24-2334-2829

China - Shenzhen
Tel: 86-755-8864-2200

China - Suzhou
Tel: 86-186-6233-1526

China - Wuhan
Tel: 86-27-5980-5300

China - Xian
Tel: 86-29-8833-7252

China - Xiamen
Tel: 86-592-2388138

China - Zhuhai
Tel: 86-756-3210040

ASIA/PACIFIC

India - Bangalore
Tel: 91-80-3090-4444

India - New Delhi
Tel: 91-11-4160-8631

India - Pune
Tel: 91-20-4121-0141

Japan - Osaka
Tel: 81-6-6152-7160

Japan - Tokyo
Tel: 81-3-6880-3770

Korea - Daegu
Tel: 82-53-744-4301

Korea - Seoul
Tel: 82-2-554-7200

Malaysia - Kuala Lumpur
Tel: 60-3-7651-7906

Malaysia - Penang
Tel: 60-4-227-8870

Philippines - Manila
Tel: 63-2-634-9065

Singapore
Tel: 65-6334-8870

Taiwan - Hsin Chu
Tel: 886-3-577-8366

Taiwan - Kaohsiung
Tel: 886-7-213-7830

Taiwan - Taipei
Tel: 886-2-2508-8600

Thailand - Bangkok
Tel: 66-2-694-1351

Vietnam - Ho Chi Minh
Tel: 84-28-5448-2100

EUROPE

Austria - Wels
Tel: 43-7242-2244-39
Fax: 43-7242-2244-393

Denmark - Copenhagen
Tel: 45-4450-2828
Fax: 45-4485-2829

Finland - Espoo
Tel: 358-9-4520-820

France - Paris
Tel: 33-1-69-53-63-20
Fax: 33-1-69-30-90-79

Germany - Garching
Tel: 49-8931-9700

Germany - Haan
Tel: 49-2129-3766400

Germany - Heilbronn
Tel: 49-7131-72400

Germany - Karlsruhe
Tel: 49-721-625370

Germany - Munich
Tel: 49-89-627-144-0
Fax: 49-89-627-144-44

Germany - Rosenheim
Tel: 49-8031-354-560

Israel - Ra'anana
Tel: 972-9-744-7705

Italy - Milan
Tel: 39-0331-742611
Fax: 39-0331-466781

Italy - Padova
Tel: 39-049-7625286

Netherlands - Drunen
Tel: 31-416-690399
Fax: 31-416-690340

Norway - Trondheim
Tel: 47-7288-4388

Poland - Warsaw
Tel: 48-22-3325737

Romania - Bucharest
Tel: 40-21-407-87-50

Spain - Madrid
Tel: 34-91-708-08-90
Fax: 34-91-708-08-91

Sweden - Gothenberg
Tel: 46-31-704-60-40

Sweden - Stockholm
Tel: 46-8-5090-4654

UK - Wokingham
Tel: 44-118-921-5800
Fax: 44-118-921-5820