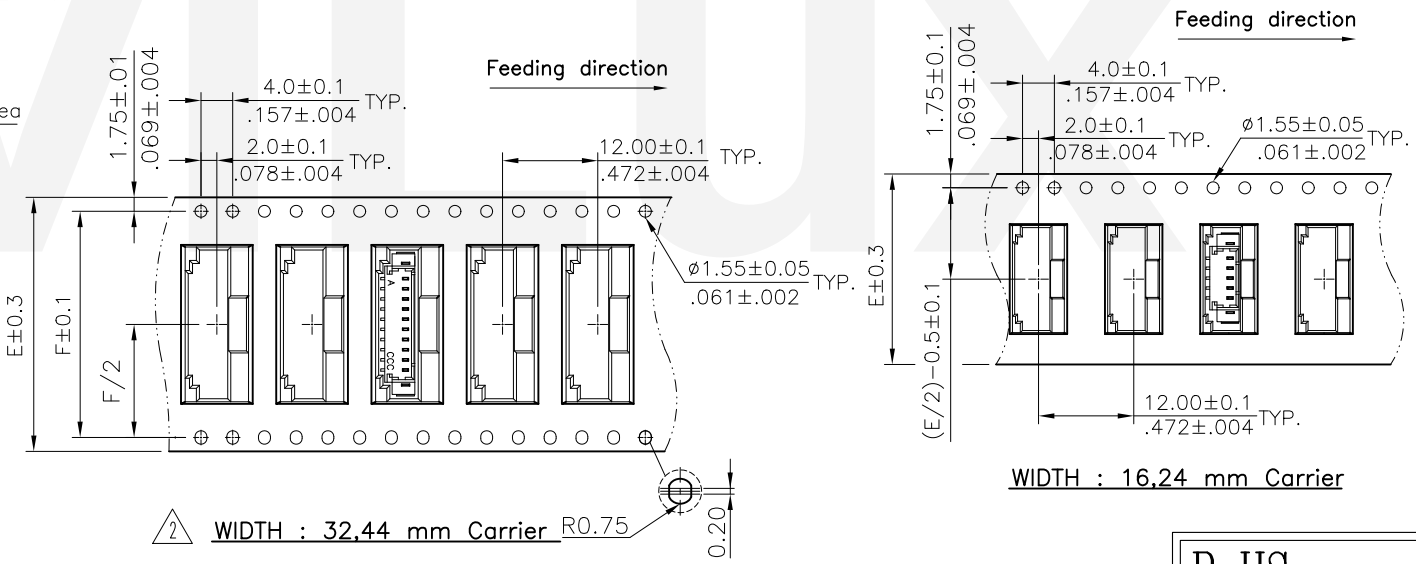
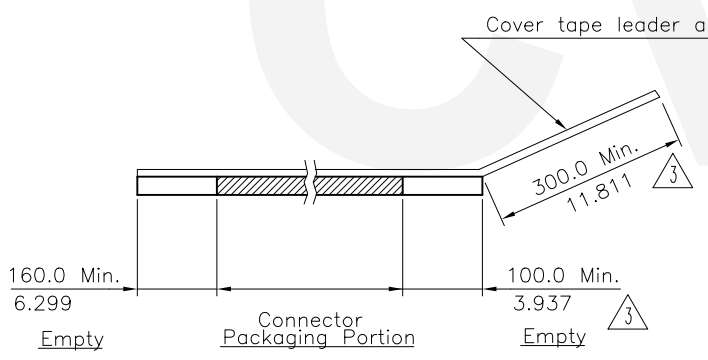


NOTE :

- * Reel Material : CORRUGATED PAPER
- * Carrier Material : Clear, Conductive Polystyrene Alloy
- * Cover Tape Material : Polyester
- * Cover Tape Peel Strength : 0.1N – 1.3N
- * Carrier camber is within 1mm in 100mm
- * All dimensions meet EIA-481-2 & EIA-481-3 requirements.
- * Quantity : 1000 PCS/Reel

Circuits	Dimension					Packing (Reel/Caton)
	E	F	W1	W2	W3	
2	16.0(.630)	---	16.5(.650)	22.5(.886)	16.5(.650)	11
3-9	24.0(.945)	---	24.5(.965)	30.5(1.201)	24.5(.965)	9
10-11	32.0(1.260)	28.40(1.118)	32.5(1.280)	38.5(1.516)	32.5(1.280)	7
12-15	44.0(1.732)	40.40(1.591)	44.5(1.752)	50.5(1.988)	44.5(1.752)	5



RoHS Compliant

4																				
3	Karen	12/09-14'	ECNT114252/ECRT114090		DRAWN BY:	Karen	12/25-14'	UNIT: mm / inch		TITLE:	1.25MM(.049") STRAIGHT SMT TYPE HEADER	瀚荃股份有限公司 CviLux Corporation								
2	Enya	7/26-12'	ECN12176-0 /ECR12061-1		ENGINEER:	Sun	12/26-14'	TOLERANCE UNLESS OTHERWISE SPECIFIED		MATERIAL:										
1	Tim	11/09-10'	ECR10145-0/ECN10364		CHECKED BY:	Eisley	12/29-14'	.X ±	.X' ±	FINISH:										
SYM	NAME	DATE	REVISIONS	APPROVED BY:	Eisley	12/29-14'	.XX ±	.X' ±			DRAWING NO.	CI4457SD	PART NO.	CI44**M1V**-NH	SCALE		SHEET	2	OF	2