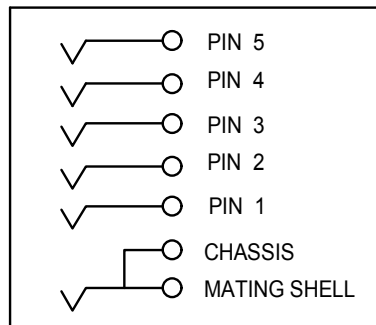
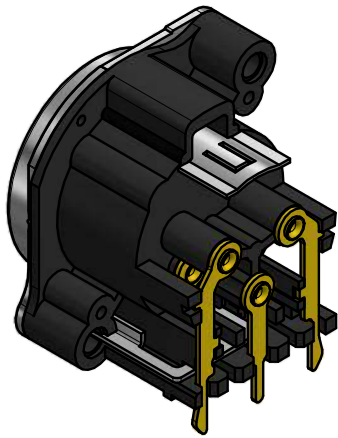
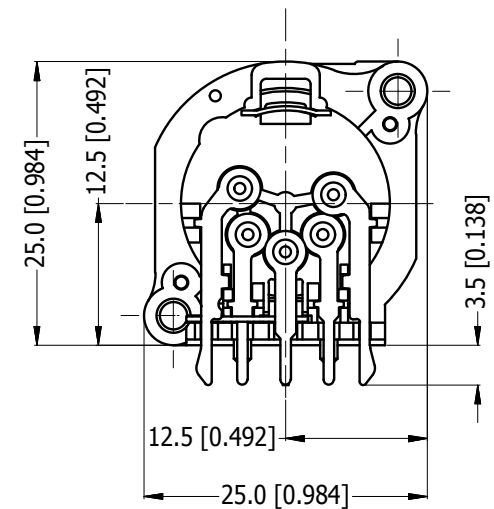
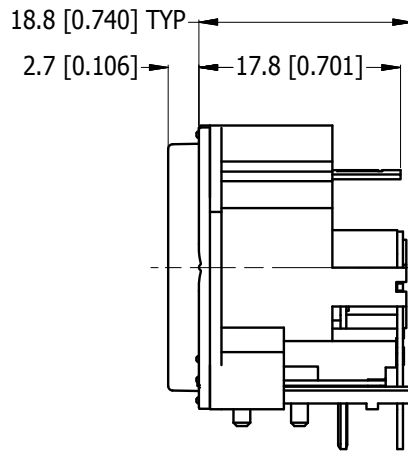
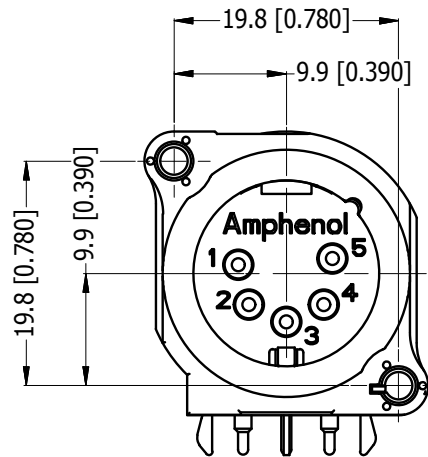
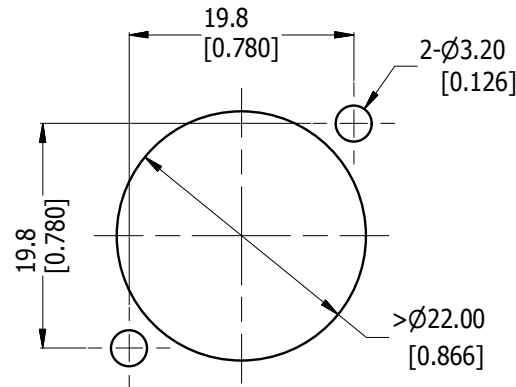


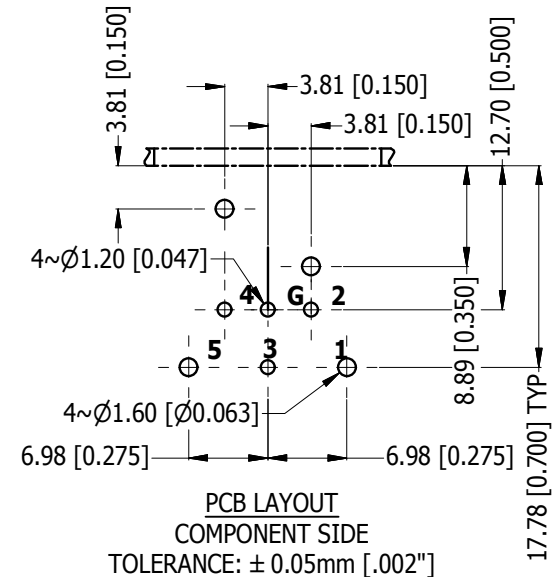
LEGEND = KEY PRODUCT CHARACTERISTICS



SCHEMATIC CHART



PANEL CUT OUT REAR VIEW



PCB LAYOUT COMPONENT SIDE TOLERANCE: ± 0.05mm [.002"]

| REVISION HISTORY |              |          |    |      |
|------------------|--------------|----------|----|------|
| REV              | DESCRIPTION  | DATE     | BY | ECN  |
| 1                | FIRST ISSUED | 17-03-17 | MH | ---- |

| PART NUMBER TABLE |                     |
|-------------------|---------------------|
| PART NUMBER       | METAL FLANGE FINISH |
| AC5MBH-AU-PRE     | SATIN NICKEL        |
| AC5MBHB-AU-PRE    | MATT BLACK          |

| UNLESS OTHERWISE SPECIFIED TOLERANCE TO BE |             |
|--|-------------|
| LINEAR                                     | ANGULAR     |
| X ± 0.5                                    | X' ± 1      |
| X.X ± 0.2                                  | X.X' ± 30'  |
| X.XX ± 0.1                                 | X.XX" ± 15" |

THIS DOCUMENT IS THE PROPERTY OF AMPHENOL AUSTRALIA PTY. LTD. NO PART THEREOF MAY BE REPRODUCED AND USED WITHOUT THE PRIOR WRITTEN CONSENT OF THE OWNER

|                                |            |                |
|--------------------------------|------------|----------------|
| MATERIAL: <b>SEE COMPONENT</b> | DRN: M.H   | DATE: 14-03-17 |
| DO NOT SCALE                   | CKD: M.H   | DATE: 17-03-17 |
| FINISH: <b>SEE COMPONENT</b>   | APP'D: P.M | DATE: 17-03-17 |

|                                   |  |                                 |                         |
|-----------------------------------|--|---------------------------------|-------------------------|
|                                   | Amphenol Australia Pty.Ltd,<br>22 Industry Blvd, Carrum Downs, VIC 3201                              |                                 |                         |
|                                   | TITLE:<br><b>AC5MBH/B-AU-PRE<br/>                 B-TYPE HORIZ<br/>                 CUSTOMER DWG</b> | PART No.<br><b>SEE PN TABLE</b> |                         |
| DIMENSIONS IN MILLIMETRES         | SCALE: <b>3:2</b>  | SIZE: <b>A4</b>                 | CAD FILE 55011223000111 |
| DRAWING No. <b>55011223-000-2</b> |  | SHEET <b>2/2</b>                |                         |