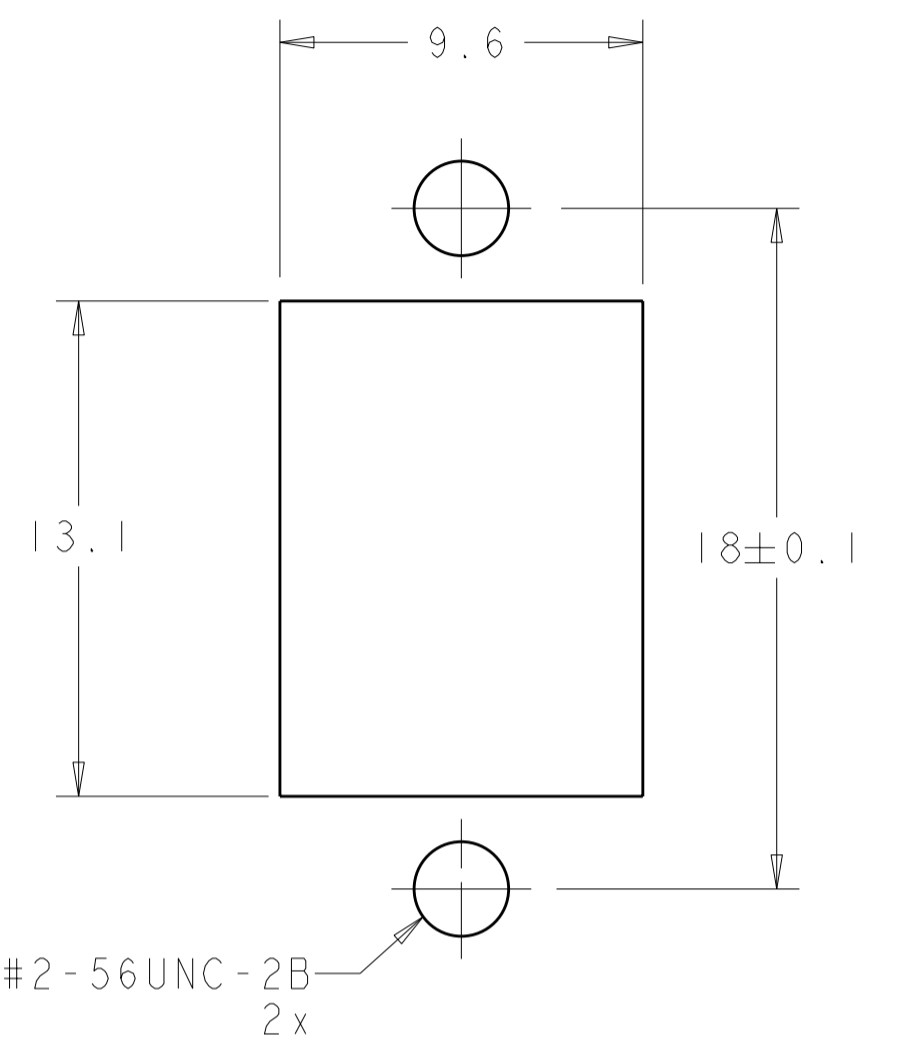
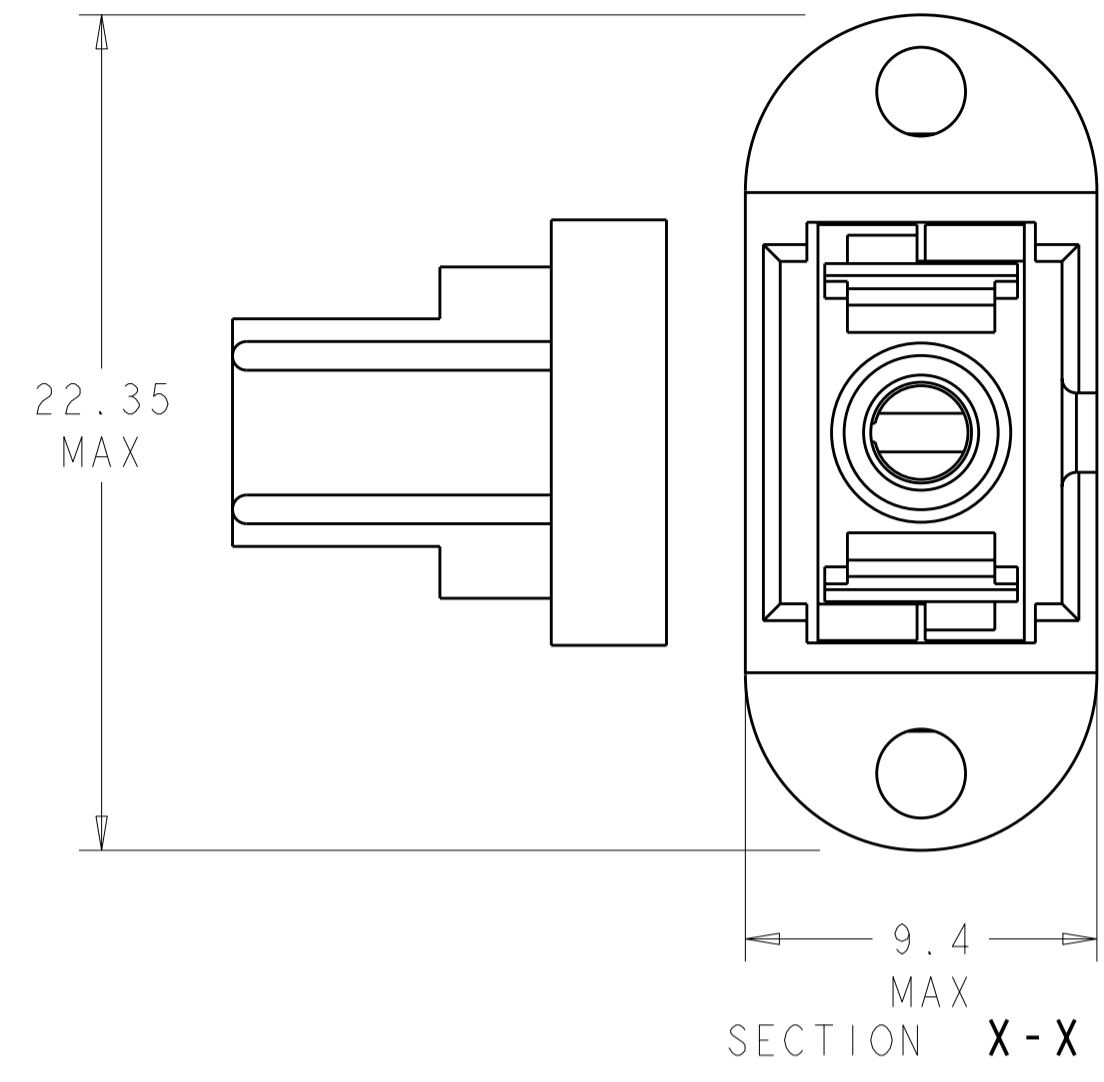
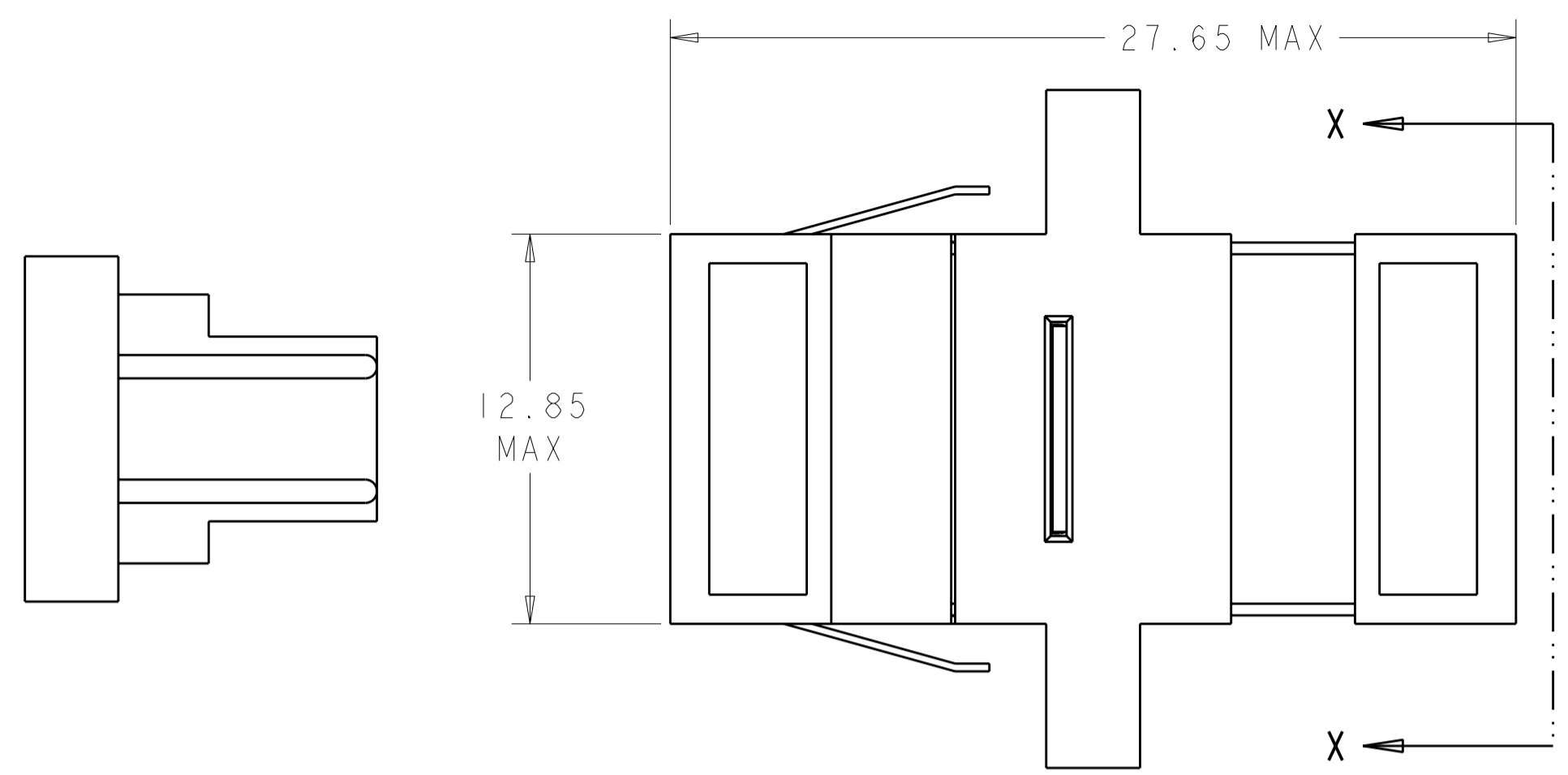


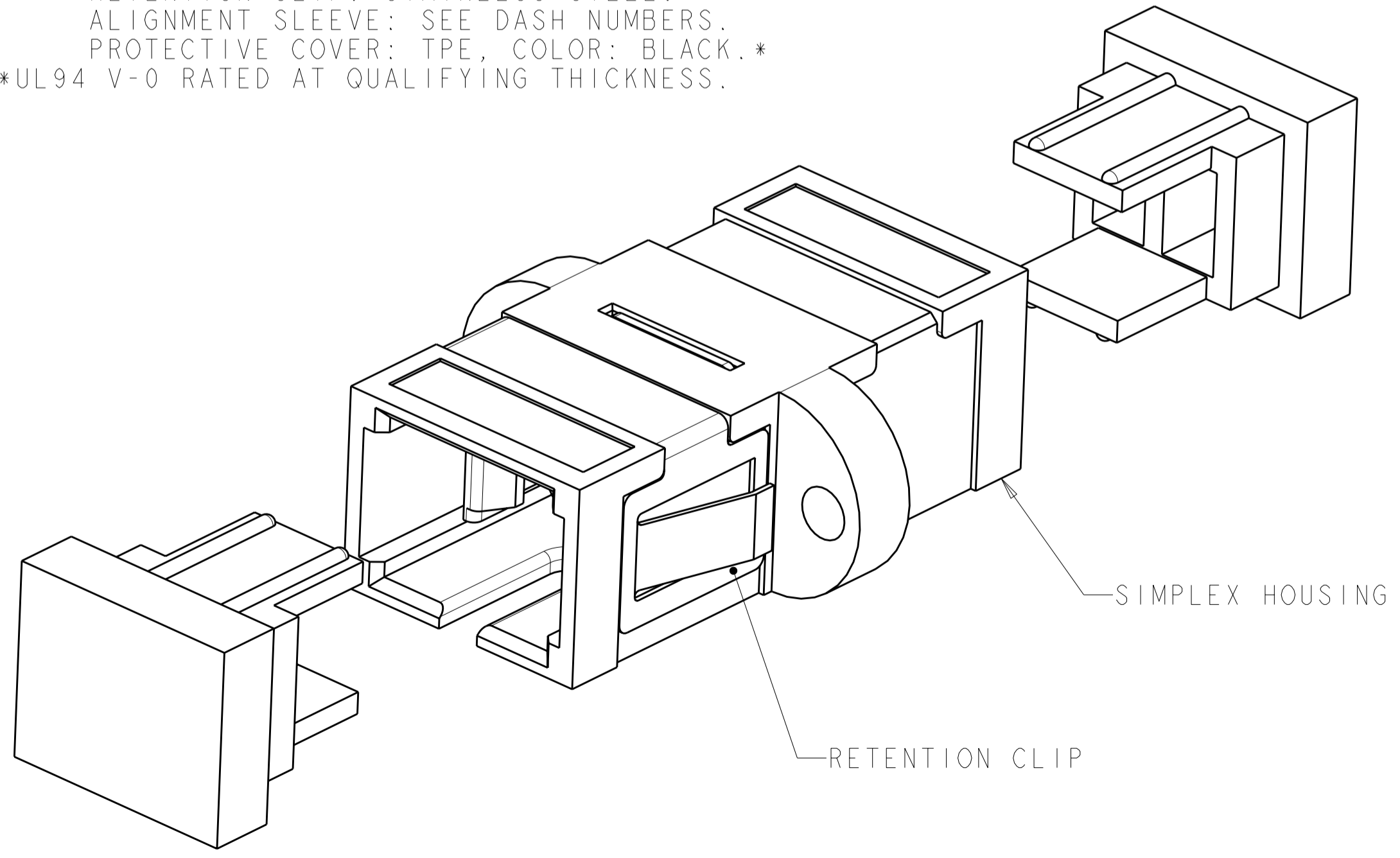
THIS DRAWING IS UNPUBLISHED. RELEASED FOR PUBLICATION 20
 © COPYRIGHT 20 BY TYCO ELECTRONICS CORPORATION. ALL RIGHTS RESERVED.

REVISIONS				
P	LTR	DESCRIPTION	DATE	APVD
R		REVISE PER 0A00-0544-04	25OCT2004	BB SM
S		REVISE PER ECR-05-007414	25JUL2005	BB SB
T		REVISE PER ECR-08-000844	23JAN2008	BB SM



⚠ MATERIAL:
 HOUSING: PBT-GF30, SEE DASH NUMBERS FOR COLOR.*
 RETAINER: PEI-GF30, COLOR: BLACK.*
 RETENTION CLIP: STAINLESS STEEL.
 ALIGNMENT SLEEVE: SEE DASH NUMBERS.
 PROTECTIVE COVER: TPE, COLOR: BLACK.*
 *UL94 V-0 RATED AT QUALIFYING THICKNESS.

SUGGESTED PANEL CUTOUT
 MAX. PANEL THICKNESS 1.7



RETENTION CLIP	METAL	GREEN	2-502632-1
RETENTION CLIP	CERAMIC	BEIGE	1-502632-2
RETENTION CLIP	CERAMIC	BLUE	1-502632-1
RETENTION CLIP	CERAMIC	BLACK	1-502632-0
RETENTION CLIP	METAL	BEIGE	502632-9
RETENTION CLIP	METAL	BLUE	502632-8
RETENTION CLIP	METAL	BLACK	502632-7
INCLUDED HARDWARE	ALIGNMENT SLEEVE	COLOR	PART NUMBER

<small>THIS DRAWING IS A CONTROLLED DOCUMENT FOR TYCO ELECTRONICS CORPORATION. IT IS SUBJECT TO CHANGE AND THE CONTROLLING ENGINEERING ORGANIZATION SHOULD BE CONTACTED FOR THE LATEST REVISION.</small>		DWN B. BRIGGS 25OCT2004 CHK S. MILLER 25OCT2004 APVD S. BUCHTER 25OCT2004	Tyco Electronics Harrisburg, PA 17105-3608
DIMENSIONS: mm 	TOLERANCES UNLESS OTHERWISE SPECIFIED: 0 PLC ± 1 PLC ±0.1 2 PLC ±0.05 3 PLC ± 4 PLC ± ANGLES ± FINISH	PRODUCT SPEC APPLICATION SPEC WEIGHT	NAME RECEPTACLE ASSEMBLY, AMP SC TO SC SIZE CAGE CODE DRAWING NO RESTRICTED TO A200779C-502632 -
MATERIAL		CUSTOMER DRAWING	SCALE 5:1 SHEET OF REV T