



# har-flexicon 1,27 female connector, horizontal



## General information

|                               |   |  |
|-------------------------------|---|--|
| Design                        | female connector  |  |
| No. of contacts               | 4-poles   |  |
| Contact pitch                 | 1,27 mm   |  |
| Test voltage                  | 500 V   |  |
| Rated voltage                 | 16 V  | overvoltage category II / pollution degree 2 |
| Contact resistance            | max. 20mOhm   |  |
| Insulation resistance         | min. 10 <sup>9</sup> Ohm                                    |  |
| Working current               | 2,7A at 70°C ( tested with AWG26/19, see derating diagram ) |  |
| Temperature range             | -40°C ... +125°C  |  |
| Termination technology        | IDC   |  |
| Clearance & creepage distance | Clearance: min. 0,45 mm                                     | Creepage: min. 0,45 mm                       |
| Insertion force               | 7 N   |  |
| Withdrawal force              | 11 N  |  |
| Hot plugging                  | No  |  |
| vibration                     | 10-2000Hz, 1,5mm/20g; 10 sweep cycles                       |  |
| shock                         | 50g/ 11ms; 10 shocks par axis and direction                 |  |
| RoHS - compliant              | Yes   |  |
| UL file                       | E 102079  |  |

## Insulator material

|                                 |   |
|---------------------------------|---|
| Material                        | LCP (liquid crystalline polymer, glass fiber reinforcement 30%) |
| Color                           | black   |
| UL classification               | UL 94-V0  |
| Material group acc. IEC 60664-1 | IIIa (175 < CTI < 400)  |
| NFF classification              | -   |

## Contact material

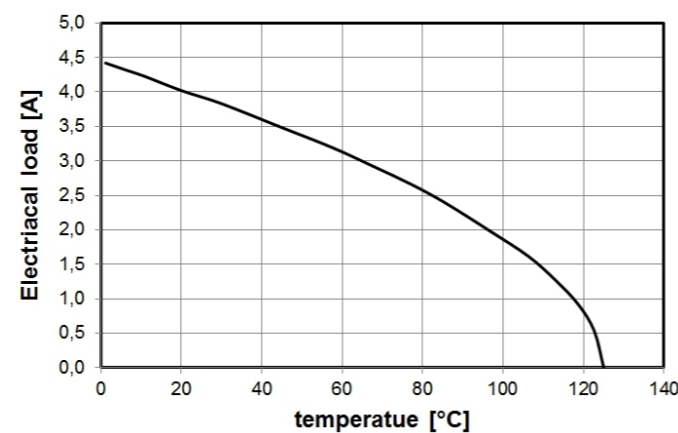
|                          |              |
|--------------------------|--------------|
| Contact material         | Copper alloy |
| Plating termination zone | Sn over Ni   |
| Plating contact zone     | Au over Ni   |

## Derating diagram acc. to IEC 60512-5-2 (Current carrying capacity)

The current carrying capacity is limited by maximum temperature of materials for inserts and contacts including terminals.

The current capacity curve is valid for continuous, non interrupted current loaded contacts of connectors when simultaneous power on all contacts is given, without exceeding the maximum temperature.

Control and test procedures according to IEC 60512-5-2



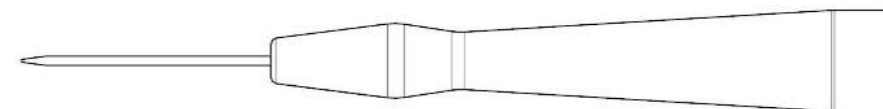
tested with AWG26/19

## Connection data

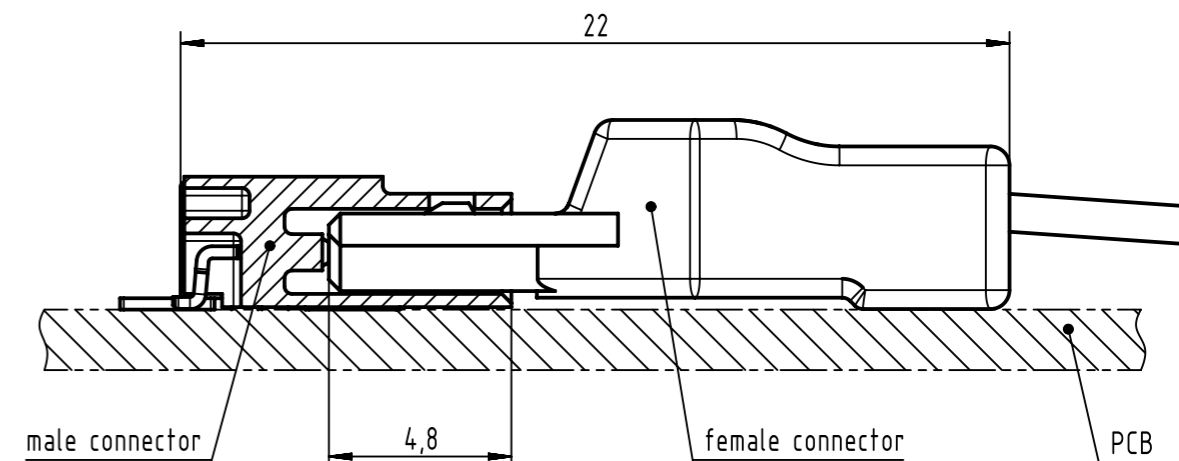
|   |   |
|---|---|
| Conductor cross section solid min./max.   | -   |
| Conductor cross section stranded min./max.  | 0,08mm <sup>2</sup> / 0,14mm <sup>2</sup> |
| Conductor cross section stranded, with ferrule, min./max.                             | -   |
| Max. conductor size: solid/stranded (with a reduction of the voltage to 32V at III/2) | 0,75mm <sup>2</sup>                       |
| Max. insulation diameter  | 2,1 mm                                    |
| Minimum AWG   | 28  |
| Maximum AWG   | 26  |
| Stripping length  | 0 mm                                      |
| reconnection to the same gauge  | 3 times                                   |
| Insulation-diameter   | max. 1,0 mm                               |
| Insulation-material   | Polyethylen (PE)                          |

## Recommended tools

|             |            |
|-------------|------------|
| part number | 1499000002 |
|-------------|------------|



## Application information



|   |                       |  |                    |                 |  |               |  |
|---|-----------------------|--|--------------------|-----------------|--|---------------|--|
|   | All rights reserved   | Created by   | Inspected by       | Standardisation | Date   | State         | Ref.<br>Sub. DS 14312100601 ECM-no.: 500000082339 25.11.2014 |
|   | Department EC PD - CN | ZENG D   | LUOK               | HOFFMANN        | 2017-02-16   | Final Release |  |
| HARTING Electronics GmbH<br>D-32339 Espelkamp |                       | Title<br>har-flexicon 1,27 female connector horizontal |                    |                 | Doc-Key / ECM-Nr.<br>100533482/UGD/001/E<br>500000115651 |               | Rev. E   |
|   |                       | Type DS  | Number 14312100601 |                 | Page 1/1   |               |  |