

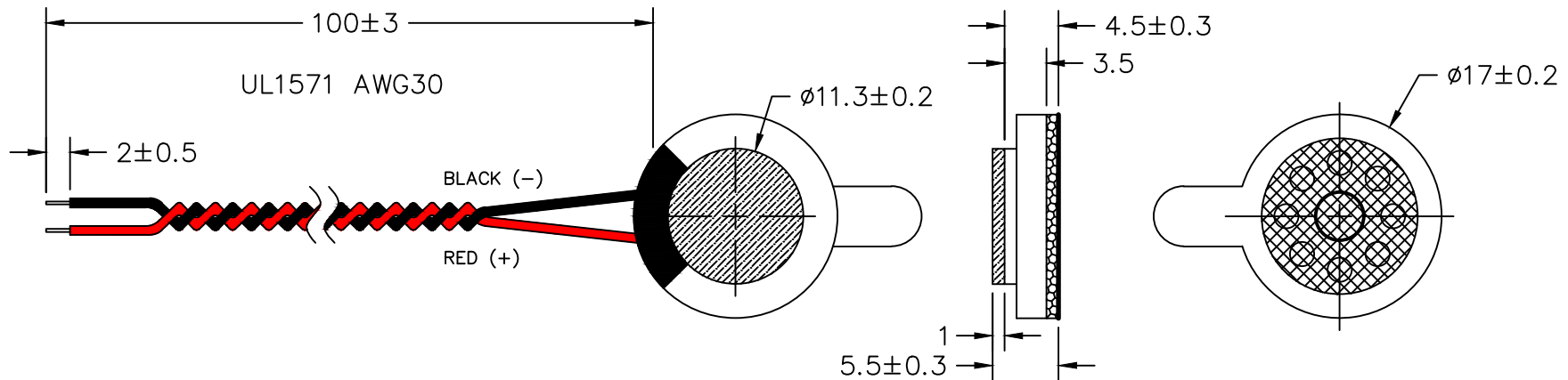
THIS DOCUMENT CONTAINS DATA PROPRIETARY TO PUI AUDIO, INC. ANY USE OR REPRODUCTION, IN ANY FORM, WITHOUT PRIOR WRITTEN PERMISSION OF PUI AUDIO, INC. IS PROHIBITED.
© 2010, PUI AUDIO, Inc.

SPECIFICATIONS

PARAMETERS	VALUES	UNITS
RATED INPUT POWER	0.5	W
MAX INPUT POWER	1	W
IMPEDANCE	8±15%	OHM
OUTPUT SPL @ 0.1W/0.1M (AT 0.8, 1.0, 1.2, 1.5 kHz)	90±3	dBA
DISTORTION (MAX.)	5%	—
RESONANT FREQUENCY	850±20%	Hz
FREQUENCY RANGE	Fo ~ 10,000	Hz
HOUSING MATERIAL	PBT	—
CONE MATERIAL	MYLAR	—
MAGNET MATERIAL	NdFeB	—
OPERATING TEMPERATURE	-30 ~ +70	°C
WEIGHT	2.1	grams

REVISIONS


LTR	DESCRIPTION	DATE	APPROVED
—	RELEASED FROM ENGINEERING	11/12/19	



NOTES:

1. ALL DIMENSIONS ARE IN MILLIMETERS.
2. SPECIFICATION SUBJECT TO CHANGE OR WITHDRAWAL WITHOUT NOTICE.
3. THIS PART IS RoHS 2011/65/EU COMPLIANT.

FILE NAME
AS01708MR-2-LW100-R.DWG

UNLESS OTHERWISE SPECIFIED: ALL PURCHASES ARE SUBJECT TO THE PUI AUDIO TERMS AND CONDITIONS SALE FOUND AT http://www.puiaudio.com/pdf/terms_conditions.pdf (paper copy available upon request). DIMENSIONS ARE IN MILLIMETERS, TOLERANCES ARE ±0.5 AND ANGLES ARE ±3°.				3541 Stop Eight Road Dayton, Ohio 45414	
APPROVALS		DATE		SPEAKER DRAWING NO. AS01708MR-2-LW100-R	
DRAWN		M.L. 11/19			
CHECKED		M.L. 11/19			
APPROVED		B.R. 11/19		SCALE: N.T.S.	SHEET 1 OF 1