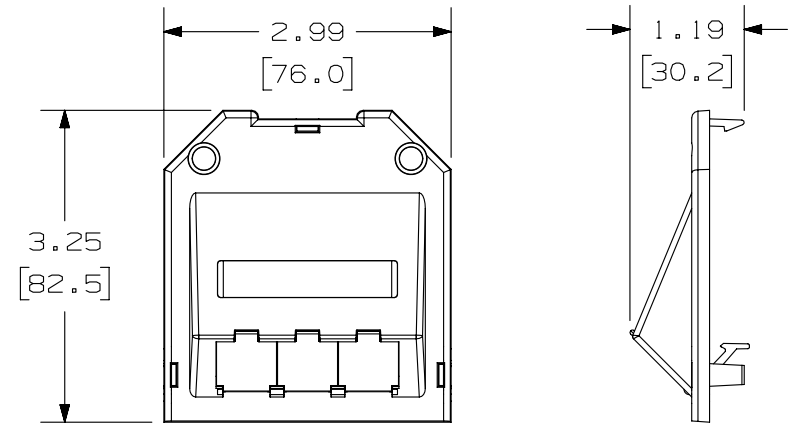


THIS COPY IS PROVIDED ON A RESTRICTED BASIS AND IS NOT TO BE USED IN ANY WAY DETRIMENTAL TO THE INTERESTS OF PANDUIT CORP.

PANDUIT P/N	WEIGHT
CFPGAS3S**	.42 LB/10 PCS (192.7 g/10 PCS)

- NOTES:
- SEE CURRENT CATALOG FOR ADDITIONAL PART NUMBER SUFFIXES TO INDICATE COLOR AND OR PACKAGE QUANTITY.
 - SEE CATALOG FOR COMPLETE LIST OF PARTS APPLICABLE FOR USE WITH THIS PART.
 - DIMENSIONS IN PARENTHESES ARE IN METRIC.
 - PART INCLUDES:
 - 1- LABEL/LABEL COVER
 - 1- 3 POSITION FACEPLATE
 - 3- SHUTTER DOOR (ASSEMBLED TO FACEPLATE)
 - USE WITH ACKERMANN GB2 SUB-BOX (ACKERMANN PART #30354A)



ACKERMANN IS A TRADEMARK OF NOVAR PLC, WEYBRIDGE, SURREY, UNITED KINGDOM

PART NUMBER		CFPGAS3S**	
TITLE			
MINI-COM 3 POSITION SLOPED SHUTTERED ACKERMANN		FACEPLATE	
CUSTOMER DRAWING			
ITEM REVISION NAME		M01012AB/05	
DATASET FILE NAME		M01012AB_DC/05C	
UNLESS OTHERWISE SPECIFIED, DIMENSIONAL TOLERANCES ARE: IN [mm]		MATERIAL:	
.x ± .xxx ± .010 [.3]		ABS	
.xx ± .03 [.8] ANGLES ±		DRAWING NUMBER:	
THIRD ANGLE PROJECTION		01012-04	
DRAWN BY	DATE	CHK	SCALE
JSP	10-2-01	MJD	NONE
SHT 1 OF 1		SIZE	
A		A	

2	4/8/14	JSP	REFR	MMR	B. REVISED AND REDRAWN, PREVIOUS REVISIONS HAVE BEEN OMMITTED.	01012-04
REV	DATE	BY	CHK	APR	DESCRIPTION	ECN

D10100DA/14