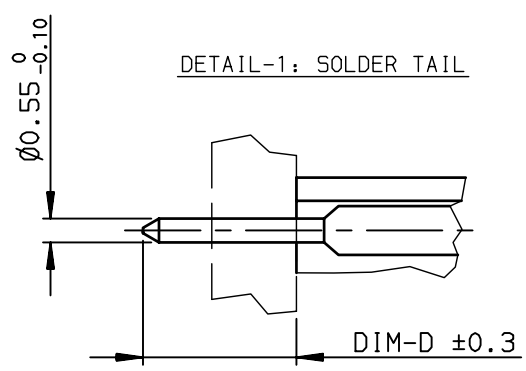
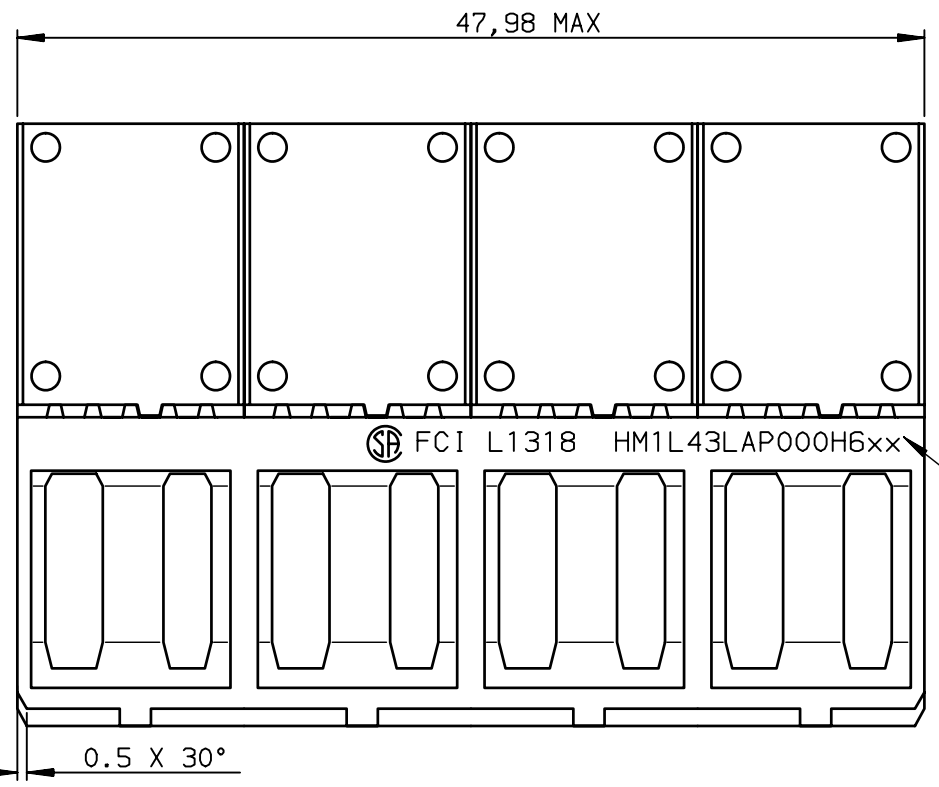
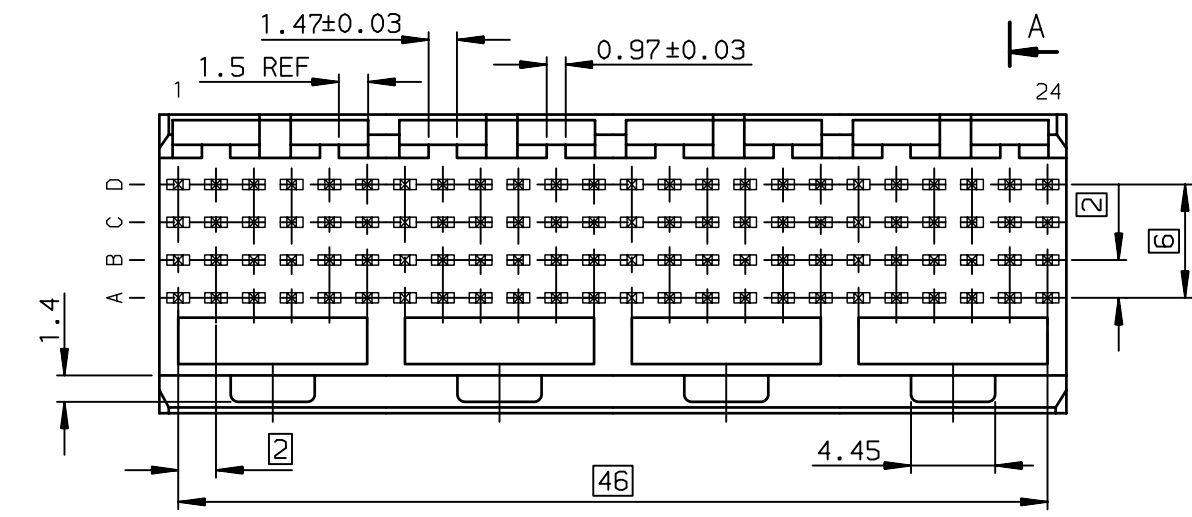
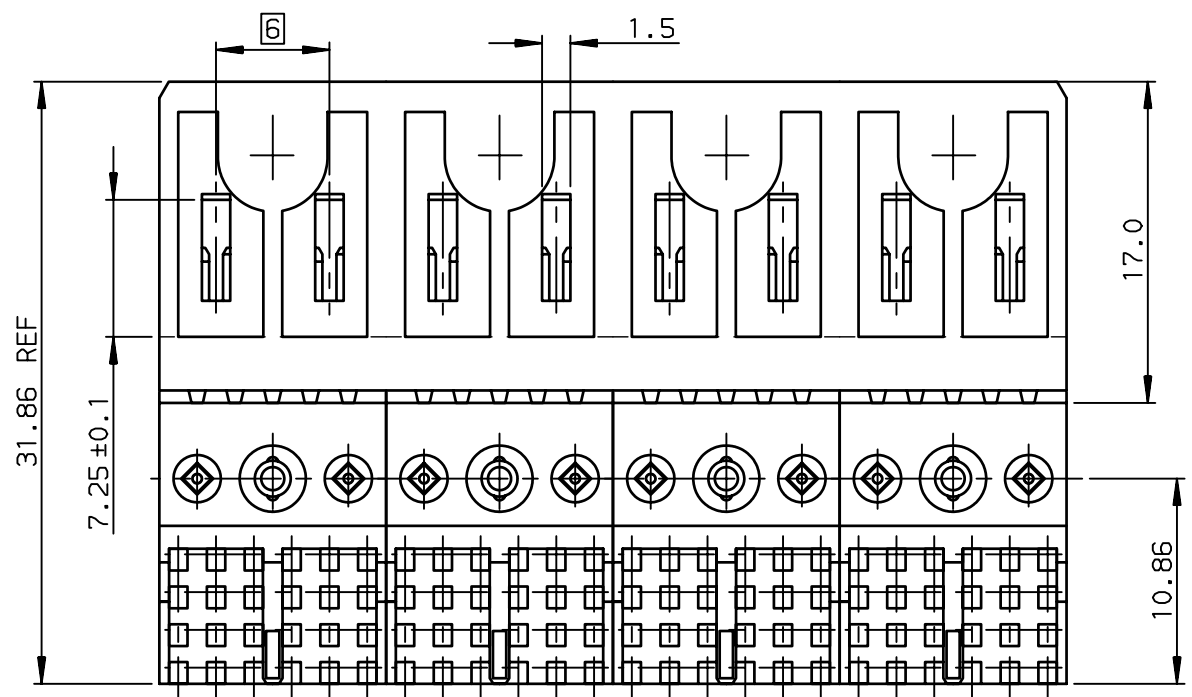


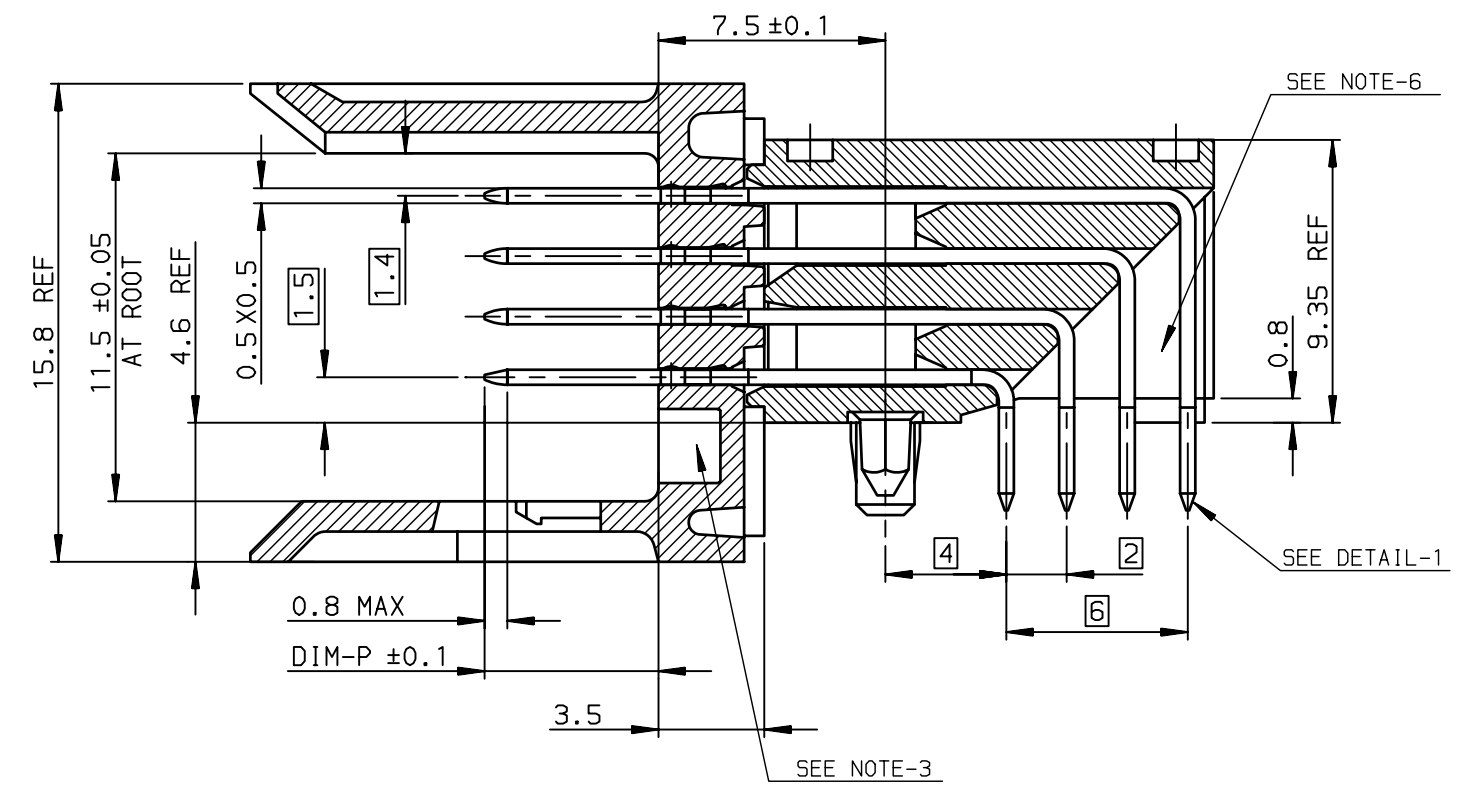


Copyright FCI.



NOTE-2: ONE CENTER PEG FOR HOLD DOWN FORCE  
 NOTE-3: CODING RECESS FOR 8MM EXTENDED KEYS  
 NOTE-4: PRODUCT MARKING = FCI + BATCH CODE + PRODUCT NUMBER  
 FOR 4 MODULE SIZE, ADD CSA LOGO MARKING  
 NOTE-6: CENTRAL WALL WITH END REAR SUPPORT  
 NOTE-7: PACKAGING IN TRAY + COVER  
 IF SUFFIX "P" IS ADDED IN P/N PACKAGING IS IN TRAYS  
 BUT CONNECTOR MARKING IS WITHOUT "P"  
 EXAMPLE: HM1XXXXXXXXXH6P, MARKED HM1XXXXXXXXXH6

SECTION-A SCALE: 4/1



GENERAL CHARACTERISTICS AND ROHS INFORMATIONS:  
 SEE PRODUCT SPECIFICATION GS-12-446

OTHERS INFORMATIONS, SEE DRW C-8626-0156-2

European Views

| rev | ecn no    | dr  | date       |
|-----|-----------|-----|------------|
| F   | -         | CHA | 2003/07/03 |
| G   | LS05-0070 | MRA | 2005/08/24 |
| H   | LS06-0097 | LGO | 2006/07/13 |
| J   | LS07-0184 | MLE | 2007/07/24 |
| -   | -         | -   | -          |
| -   | -         | -   | -          |
| -   | -         | -   | -          |

|   |          |                       |                                   |                  |
|---|----------|-----------------------|-----------------------------------|------------------|
| www.fciconnect.com  |          | surface<br>ISO 1302 ✓ | tolerance std<br>ISO 406 ISO 1101 | projection<br>mm |
| TOLERANCES UNLESS OTHERWISE SPECIFIED                               |          |                       |                                   | size<br>A3       |
| Dr  | CHAMPION | 1994/09/09            | ANGULAR                           | 0.X ±0.1         |
| Eng   | TARON    | 1994/09/09            | LINEAR                            | 0.XX ±0.1        |
| Chr   | LEGARE   | 1994/09/09            | 0.XX' ±2'                         | 0.XXX ±0.1       |
| Appr  | LEGARE   | 1994/09/09            | Product family                    | METRAL           |
| Title<br>METRAL RA HEADER WB CONVERGED<br>4x24 CTS - STB - PUSH PEG |          |                       |                                   | Spec ref -       |
| catalog no  |          |                       |                                   | Rev.<br>J        |
| CUSTOMER  |          |                       |                                   | sheet 1 of 2     |

TINE LEAD PART NUMBER

| PART NUMBER / CONTACT LOADING |       |       |       |               |                           |  |       |
|-------------------------------|-------|-------|-------|---------------|---------------------------|--|-------|
| DIM-P ±0.10                   |       |       |       | DIM-D<br>±0.3 | P/N AND PERFORMANCE LEVEL |  | SP N° |
| ROW-A                         | ROW-B | ROW-C | ROW-D |               |                           |  |       |
| 5.00                          | 5.00  | 5.00  | 5.00  | TABLE-2       | HM1L43A×P000H6P           |  |       |
| 5.75                          | 5.75  | 5.75  | 5.75  | TABLE-2       | HM1L43L×P000H6P           |  |       |
| 6.50                          | 6.50  | 6.50  | 6.50  | TABLE-2       | HM1L43D×P000H6P           |  |       |
| 6.50                          | 5.00  | 5.00  | 5.00  | TABLE-2       | HM1L43B×P000H6P           |  |       |
| 6.50                          | 5.75  | 5.75  | 6.50  | TABLE-2       | HM1L43C×P000H6P           |  |       |
| 5.00                          | 5.00  | 6.50  | 5.00  | TABLE-2       | HM1L43Z×P110H6P           |  | 110   |
| 5.00                          | 5.75  | 6.50  | 5.00  | TABLE-2       | HM1L43Z×P430H6P           |  | 430   |
| 5.00                          | 5.75  | 5.00  | 5.00  | TABLE-2       | HM1L43Z×P448H6P           |  | 448   |
| 5.75                          | 5.00  | 5.00  | 5.00  | TABLE-2       | HM1L43Z×P009H6P           |  | 009   |
| 5.75                          | 6.50  | 5.75  | 5.00  | TABLE-2       | HM1L43Z×P424H6P           |  | 424   |
| 6.50                          | 5.75  | 6.50  | 5.75  | TABLE-2       | HM1L43Z×P037H6P           |  | 037   |
| 6.50                          | 5.75  | 5.00  | 5.75  | TABLE-2       | HM1L43Z×P102H6P           |  | 102   |
| 6.50                          | 6.50  | 6.50  | 5.75  | TABLE-2       | HM1L43Z×P135H6P           |  | 135   |
| 6.50                          | 5.75  | 5.75  | 5.75  | TABLE-2       | HM1L43Z×P369H6P           |  | 369   |

DIM-D=2.9 / replace 'x' by 'A' in the P/N  
 DIM-D=3.7 / replace 'x' by 'B' in the P/N

STANDARD MATING LENGTHS = 5.75 (AND 5.00-6.50)  
 STANDARD TERMINATION LENGTH = 2.90

TABLE-2

LEAD FREE PART NUMBER

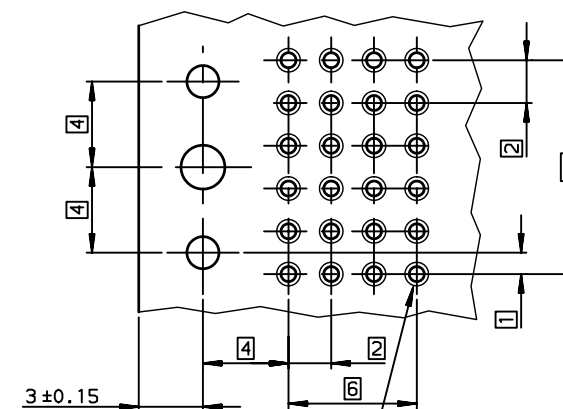
| PART NUMBER / CONTACT LOADING |       |       |       |               |                           |  |       |
|-------------------------------|-------|-------|-------|---------------|---------------------------|--|-------|
| DIM-P ±0.10                   |       |       |       | DIM-D<br>±0.3 | P/N AND PERFORMANCE LEVEL |  | SP N° |
| ROW-A                         | ROW-B | ROW-C | ROW-D |               |                           |  |       |
| 5.00                          | 5.00  | 5.00  | 5.00  | TABLE-2       | HM1L43A×P000H6PLF         |  |       |
| 5.75                          | 5.75  | 5.75  | 5.75  | TABLE-2       | HM1L43L×P000H6PLF         |  |       |
| 6.50                          | 6.50  | 6.50  | 6.50  | TABLE-2       | HM1L43D×P000H6PLF         |  |       |
| 6.50                          | 5.00  | 5.00  | 5.00  | TABLE-2       | HM1L43B×P000H6PLF         |  |       |
| 6.50                          | 5.75  | 5.75  | 6.50  | TABLE-2       | HM1L43C×P000H6PLF         |  |       |
| 5.00                          | 5.00  | 6.50  | 5.00  | TABLE-2       | HM1L43Z×P110H6PLF         |  | 110   |
| 5.00                          | 5.75  | 6.50  | 5.00  | TABLE-2       | HM1L43Z×P430H6PLF         |  | 430   |
| 5.00                          | 5.75  | 5.00  | 5.00  | TABLE-2       | HM1L43Z×P448H6PLF         |  | 448   |
| 5.75                          | 5.00  | 5.00  | 5.00  | TABLE-2       | HM1L43Z×P009H6PLF         |  | 009   |
| 5.75                          | 6.50  | 5.75  | 5.00  | TABLE-2       | HM1L43Z×P424H6PLF         |  | 424   |
| 6.50                          | 5.75  | 6.50  | 5.75  | TABLE-2       | HM1L43Z×P037H6PLF         |  | 037   |
| 6.50                          | 5.75  | 5.00  | 5.75  | TABLE-2       | HM1L43Z×P102H6PLF         |  | 102   |
| 6.50                          | 6.50  | 6.50  | 5.75  | TABLE-2       | HM1L43Z×P135H6PLF         |  | 135   |
| 6.50                          | 5.75  | 5.75  | 5.75  | TABLE-2       | HM1L43Z×P369H6PLF         |  | 369   |

DIM-D=2.9 / replace 'x' by 'A' in the P/N  
 DIM-D=3.7 / replace 'x' by 'B' in the P/N

STANDARD MATING LENGTHS = 5.75 (AND 5.00-6.50)  
 STANDARD TERMINATION LENGTH = 2.90

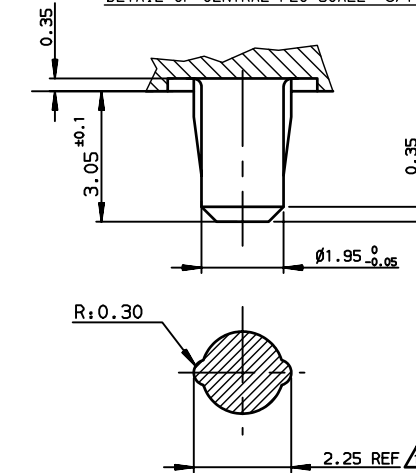
TABLE-2

RECOMMENDED PCB LAYOUT  
 PER 12MM LENGTH

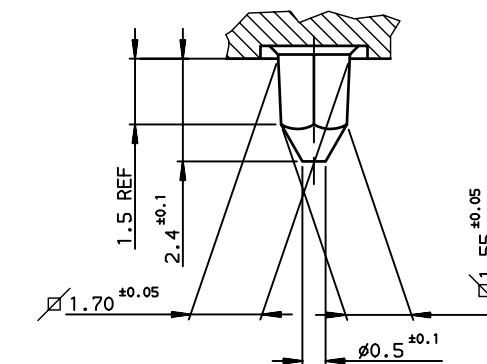


Hole according to product spec  
 65-12-445 (for press-fit),  
 65-12-446 (for STB)

DETAIL OF CENTRAL PEG SCALE 8/1



DETAIL OF LOCATING PEGS (2x) SCALE 8/1



OTHERS INFORMATIONS, SEE DRW C-8626-0156-1

European Views

|  |          |            |                                       |                  |            |              |
|--|----------|------------|---------------------------------------|------------------|------------|--------------|
| www.fciconnect.com   |          |            | surface                               | tolerance std    | projection | mm           |
|  |          |            | ISO 1302                              | ISO 406 ISO 1101 |            |              |
|  |          |            | TOLERANCES UNLESS OTHERWISE SPECIFIED |                  |            |              |
| Dr   | CHAMPION | 1994/09/09 | ANGULAR                               | 0.X              | ±0.1       | size         |
| Eng  | LENOIR   | 1994/09/09 | LINEAR                                | 0.XX             | ±0.1       | A2           |
| Chr  | LEGARE   | 1994/09/09 | 0.XX' ±2'                             | 0.XXX            | ±0.1       | ECN          |
| Appr   | LEGARE   | 1994/09/09 | Product family                        |                  |            | LS07-0184    |
|  |          |            | METRAL Spec ref -                     |                  |            |              |
| title METRAL RA HEADER WB CONVERGED<br>4x24 CTS - STB - PUSH PEG |          |            |                                       |                  |            | Rev.         |
| catalog no   |          |            |                                       |                  |            | J            |
| CUSTOMER   |          |            |                                       |                  |            | sheet 2 of 2 |

