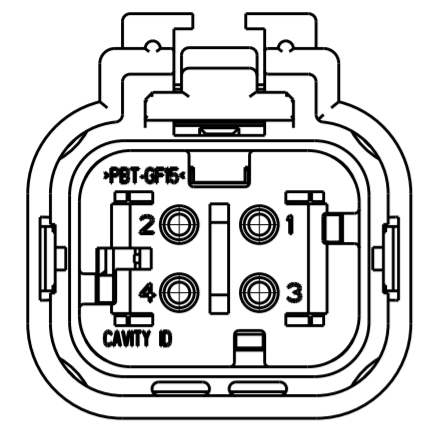
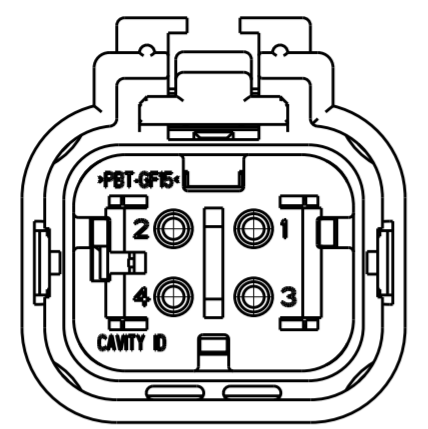


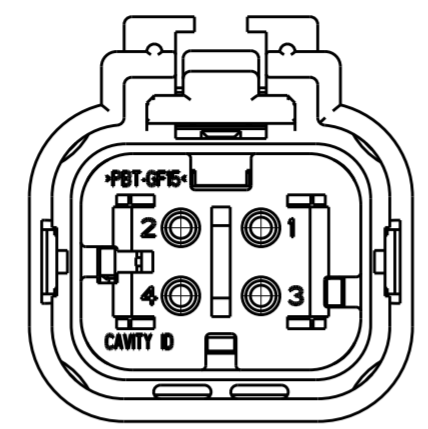
REVISIONS					
P	LTR	DESCRIPTION	DATE	DWN	APVD
	D1	REVISED PER ECO-11-005294	30APR2011	RK	HMR
	E	REVISED PER ECO-13-019168	05DEC2013	DR	RB



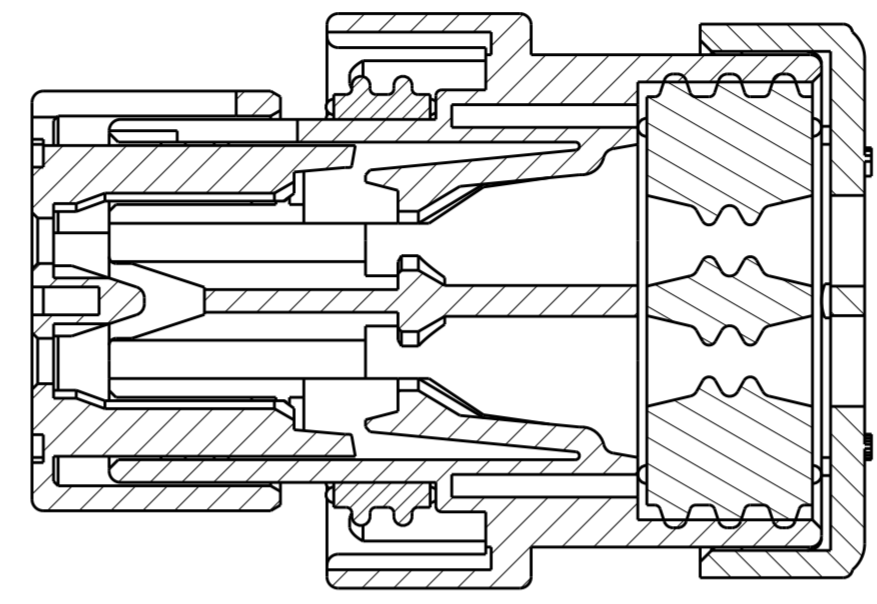
776487-2  
SCALE 2:1



776487-3  
SCALE 2:1

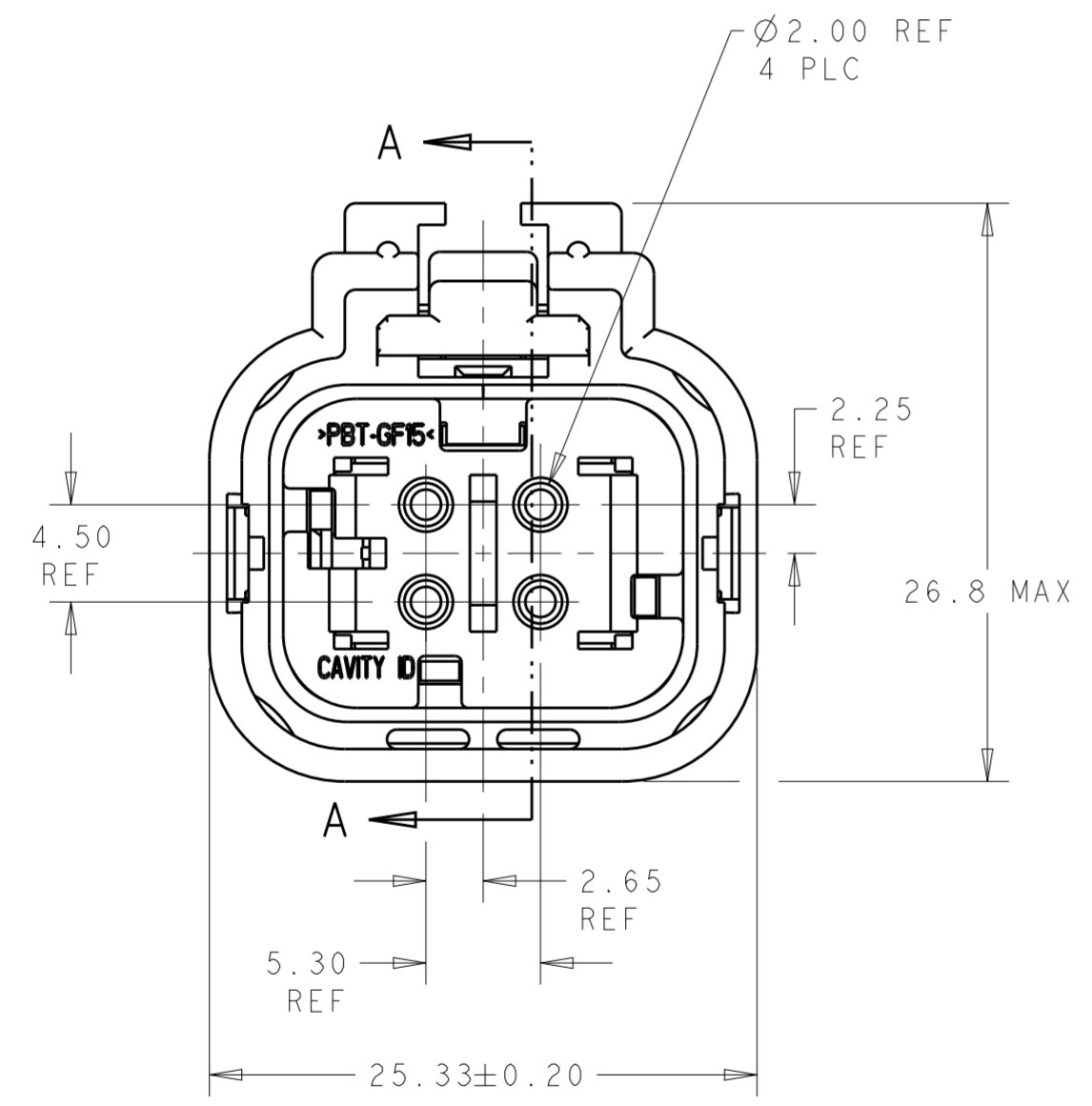


776487-4  
SCALE 2:1

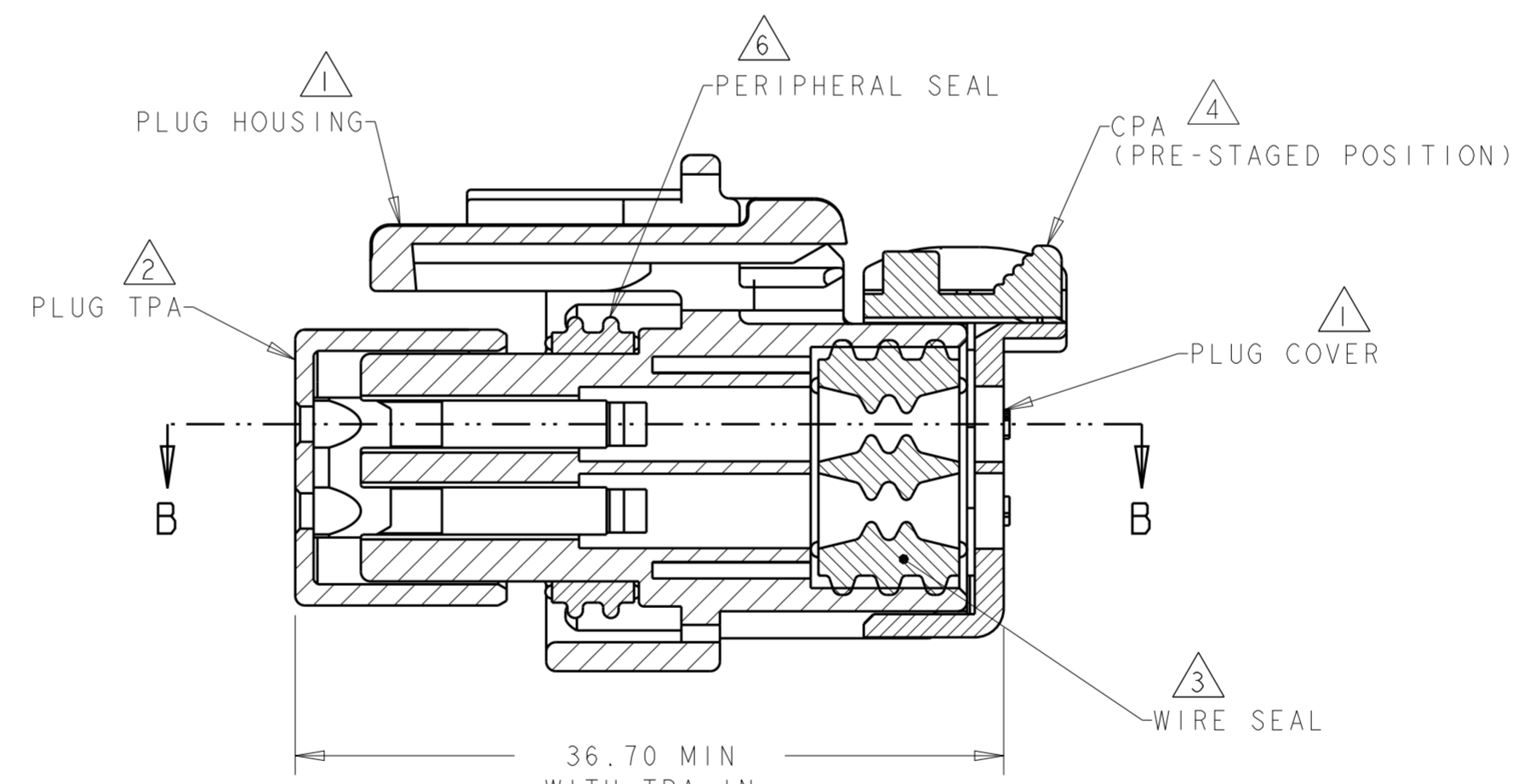


SECTION B-B

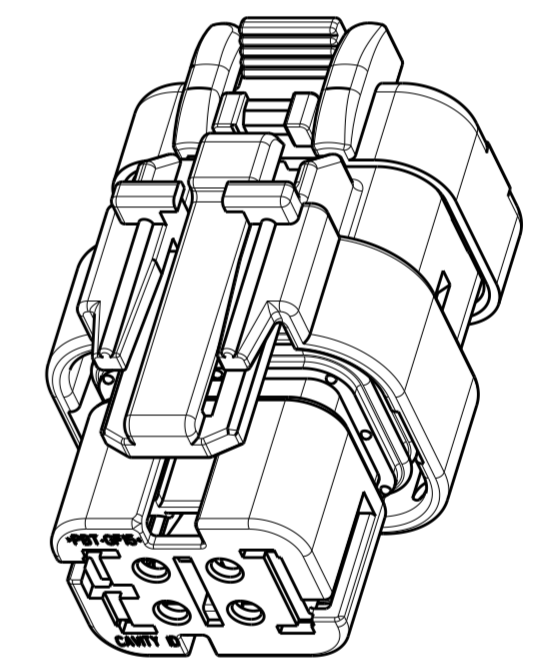
- 1 MATERIAL: 15% GLASS FILLED THERMOPLASTIC  
COLOR: BLACK
- 2 MATERIAL: 15% GLASS FILLED THERMOPLASTIC  
COLOR: (SEE TABLE)
- 3 MATERIAL: SILICONE  
COLOR: GREEN
- 4 MATERIAL: 15% GLASS FILLED THERMOPLASTIC  
COLOR: RED
- 5. RECOMMENDED WIRE DIAMETER RANGE IS 2.18 TO 3.67mm
- 6 MATERIAL: SILICONE  
COLOR: TAN



776487-1 SHOWN



SECTION A-A



SCALE 2:1

GREEN	776487-4
YELLOW	776487-3
GRAY	776487-2
RED	776487-1
TPA COLOR	PART NUMBER

THIS DRAWING IS A CONTROLLED DOCUMENT.		DWN B. SIMPSON 12DEC2002	TE Connectivity	
DIMENSIONS: mm		CHK D. KLEIN 12DEC2002		
TOLERANCES UNLESS OTHERWISE SPECIFIED:		APVD D. KLEIN 16DEC2002	NAME PLUG ASSEMBLY, 4 POSITION, DUAL ROW, AMPSEAL 16	
0 PLC ±		PRODUCT SPEC 108-2184	SIZE A2	
1 PLC ±		APPLICATION SPEC 114-13065	CAGE CODE -	
2 PLC ±		WEIGHT 12.5±1g	DRAWING NO G-776487	
3 PLC ±		Customer Drawing	RESTRICTED TO -	
4 PLC ±			SCALE 3:1	
ANGLES ±			SHEET 1	
FINISH -			OF 1	
-			REV E	