

PART NUMBER	ENG. NO	FINISHED LENGTH
1300240214	DND10A-M005	1FT 8IN [0.5M]
1300240215	DND10A-M010	3FT 3IN [1.0M]
1300240223	DND10A-M100	32FT 10IN [10.0M]

(B) CABLE LENGTH TOLERANCES

<.3M [1FT]: +19mm-0 [ +.75in-0]

.3 - .9M [1 - 3FT]: +44.5mm-0 [+1.75in-0]

.9 - 1.8M [3 - 6FT]: +55.6mm-0 [+2.19in-0]

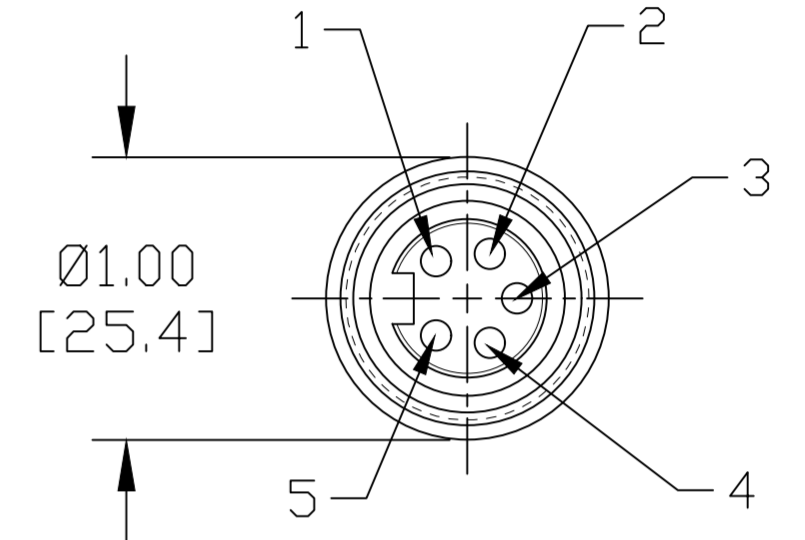
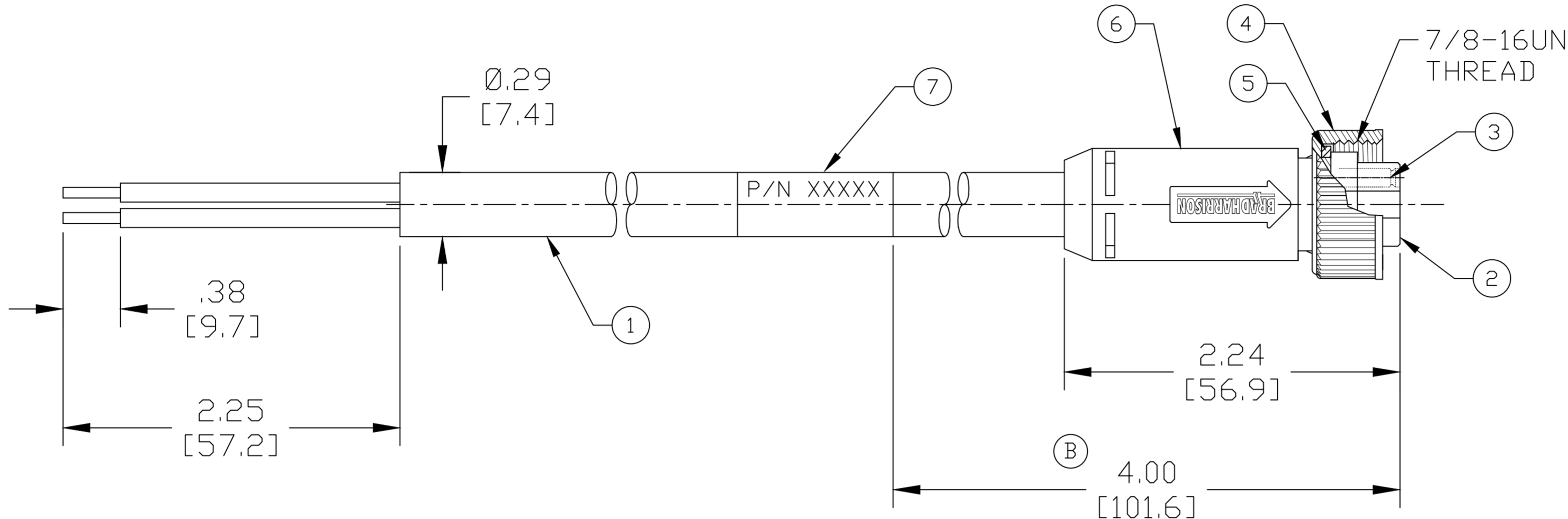
1.8 - 3.7M [6 - 12FT]: +88.9mm-0 [+3.50in-0]

3.7 - 7.3M [12 - 24FT]: +165.1mm-0 [+6.50in-0]

7.3-14.6M [24 - 48FT]: +317.5mm-0 [+12.50in-0]

14.6 - 30.5M [48-100FT]: +622.3mm-0 [+24.50in-0]

OVER 30M [100FT] +2% OF FINISHED LENGTH



FEMALE FACE VIEW

1	DRAIN
2	RED
3	BLACK
4	WHITE
5	BLUE

WIRING DIAGRAM

- NOTES:
- MATERIAL: AS NOTED
  - FINISH: AS NOTED
  - ELECTRICAL:
    - VOLTAGE: 300V PER IEC 60664 (B)
    - 300V PER UL 2238
    - CURRENT: 4A
  - TEMP RATING: -20°C TO +80°C
  - PROTECTION: IP67 (WHEN MATED)
  - COUPLING THREAD: AS NOTED
  - UL RECOGNIZED FILE: E152210  
CSA RECOGNIZED FILE: LR6837
  - ALL DIMS ARE FOR REFERENCE UNLESS TOLERANCED OR NOTED OTHERWISE

PART NO. LEGEND

**DND10A-M010**

CABLE TYPE DEVICE-NET

FINISHED LENGTH  
 M005----0.5 Meter  
 M010----1 Meter  
 M100----10 Meter

ITEM	DESCRIPTION	MATERIAL	FINISH
7	WRAP LABEL	VINYL	BLACK/YELLOW
6	OVERMOLD	TPE (B)	GRAY
5	FRICTION RING	NYLON	WHITE
4	COUPLING NUT, INT. THD	ZINC DIE-CAST	BLACK E-COAT
3	CONTACT SOCKET	COPPER ALLOY	GOLD PLATED
2	FEMALE INSERT	TPE (B)	BLACK (B)
1	CABLE, 22AWG DEV-NET DROP	PVC JACKET	GRAY

FUNCTIONAL SYMBOLS: FA=0, EC=0, EP=0

DIVISIONAL SYMBOLS: 4 PLACES, 3 PLACES, 2 PLACES, 1 PLACE, 0 PLACES

ANGULAR TOL ± --- °

DRAFT WHERE APPLICABLE MUST REMAIN WITHIN DIMENSIONS

THIRD ANGLE PROJECTION

DRAWING: C-SIZE

SERIES: 130024

CURRENT REV DESC: REV NOTES, LABEL DIM WAS 12/14 IN, O-MOLD WAS PVC, INSERT WAS PVC GRAY ADD CABLE LENGTH TOL, UPDATE BORDER

EC NO: 688872

DRWN: RSTONE 2021/12/14

CHK'D: ALEON01 2021/12/15

APPR: BWOODMAN 2021/12/15

INITIAL REVISION:

DRWN: E BRACKEN 2013/09/12

APPR: BWOODMAN 2013/10/07

DOCUMENT NUMBER: SD-130024-018

DOC TYPE/DOC PART: PSD 001

REVISION: B

MATERIAL NUMBER: SEE P/N LEGEND

CUSTOMER: GENERAL MARKET

SHEET NUMBER: 1 OF 1