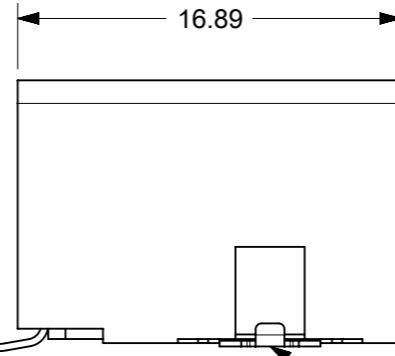
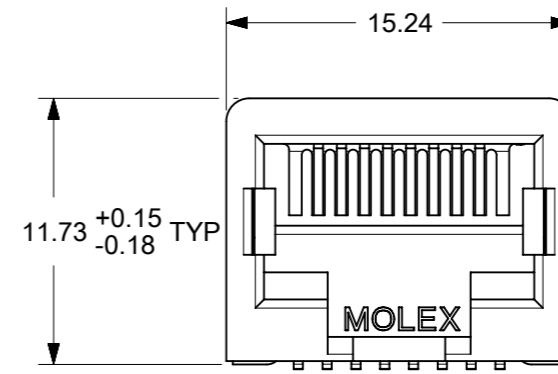


6 CIRCUIT ASSEMBLY

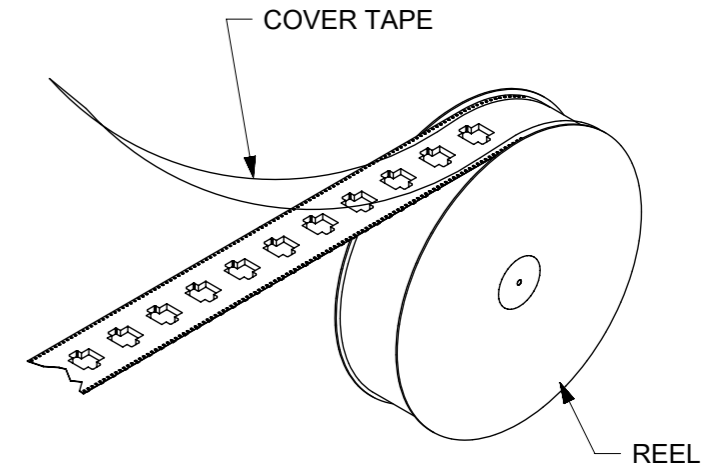
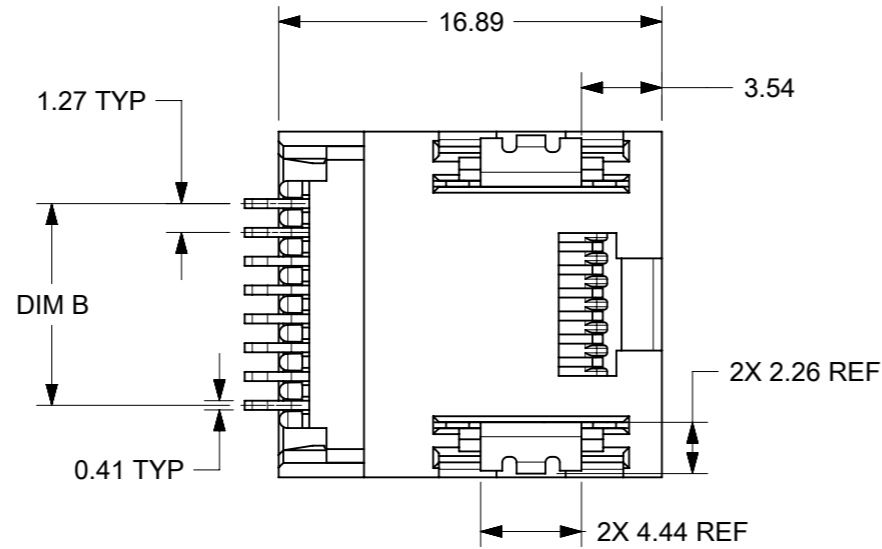


8 CIRCUIT ASSEMBLY



TERMINAL TAIL
SEE NOTE 4

FITTING NAIL
SEE NOTE 4



VACUUM FORMED CARRIER TAPE WITH SPROCKET HOLES

TAPE AND REEL PACKAGING

NOTES :

1) MATERIALS:

HOUSING: LCP, GLASS-FILLED, UL94V-0; COLOR BLACK.
INSULATOR: NYLON, GLASS-FILLED, UL94V-0; COLOR BLACK.
TERMINALS: PHOSPHOR BRONZE, 0.30 mm THICK
FITTING NAILS: BRASS ALLOY, 0.25 mm THICK

2) FINISH:

TERMINALS:

- (A) SELECT GOLD IN CONTACT AREA: 0.00127 mm MIN.,
*SELECT MATTE TIN IN PC TAIL AREA: 0.00254 mm MIN.,
WITH OVERALL NICKEL UNDERPLATE: 0.00127 mm MIN.
- (B) SELECT GOLD IN CONTACT AREA: 0.00076 mm MIN.,
*SELECT MATTE TIN IN PC TAIL AREA: 0.00254 mm MIN.,
WITH OVERALL NICKEL UNDERPLATE: 0.00127 mm MIN.
- (C) SELECT GOLD IN CONTACT AREA: 0.00038 mm MIN.,
*SELECT MATTE TIN IN PC TAIL AREA: 0.00254 mm MIN.,
WITH OVERALL NICKEL UNDERPLATE: 0.00127 mm MIN.

FITTING NAILS:

- *2.54 MICROMETER MATTE TIN OVER 1.27 MICROMETER NICKEL UNDERPLATE
- *THE PRIMARY SHIPPING CARTON WILL BE LABELED "ELV AND RoHS COMPLIANT" CARTONS WITHOUT THIS LABEL MAY CONTAIN PRODUCT WITH TIN-LEAD IN THE PC TAIL AND/OR FITTING NAILS.

3) PRODUCT SPECIFICATION: PS-43743-0001

4) COPLANARITY SPECIFICATION:

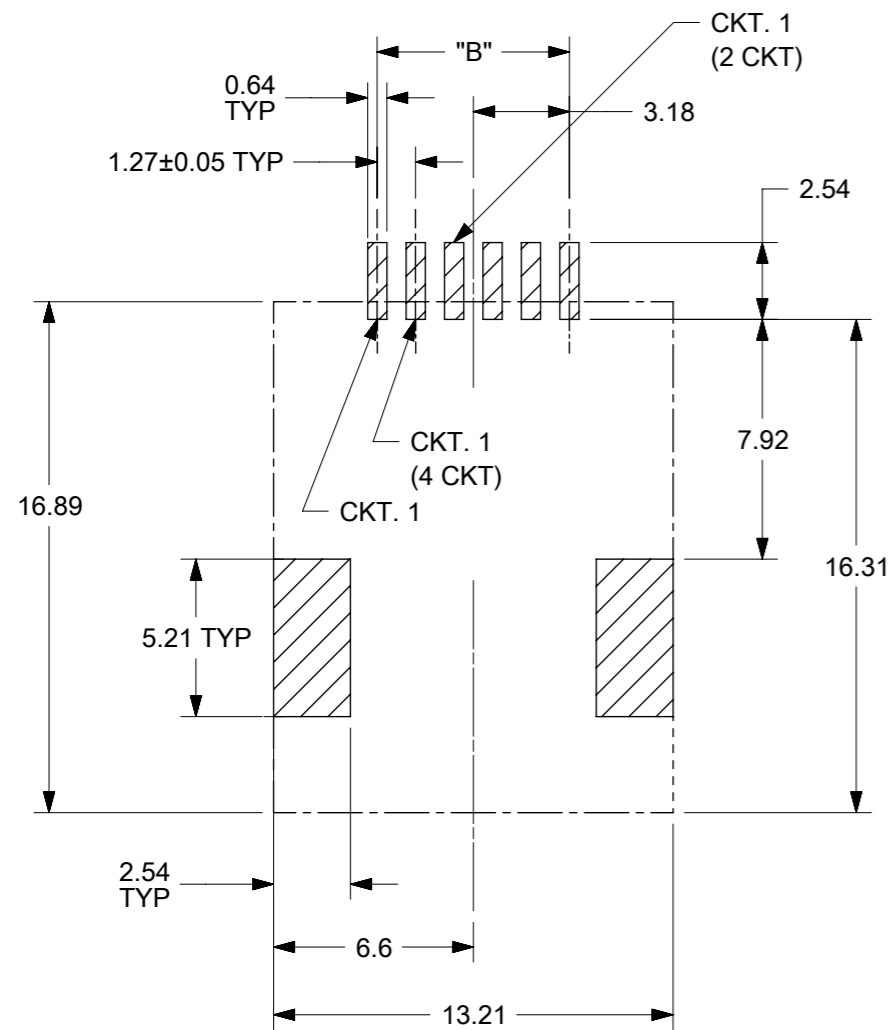
WITH THE MODULAR JACK SITTING ON A LEVEL SURFACE, THE MAXIMUM GAP BETWEEN THE LEVEL SURFACE AND ALL TERMINAL TAILS AND BOTH FITTING NAILS IS 0.15 mm.

5) CONVECTION SOLDERING TECHNOLOGY SHOULD BE USED WHEN GANGING MODULAR JACKS WITH INBOARD NAILS SIDE-BY-SIDE.

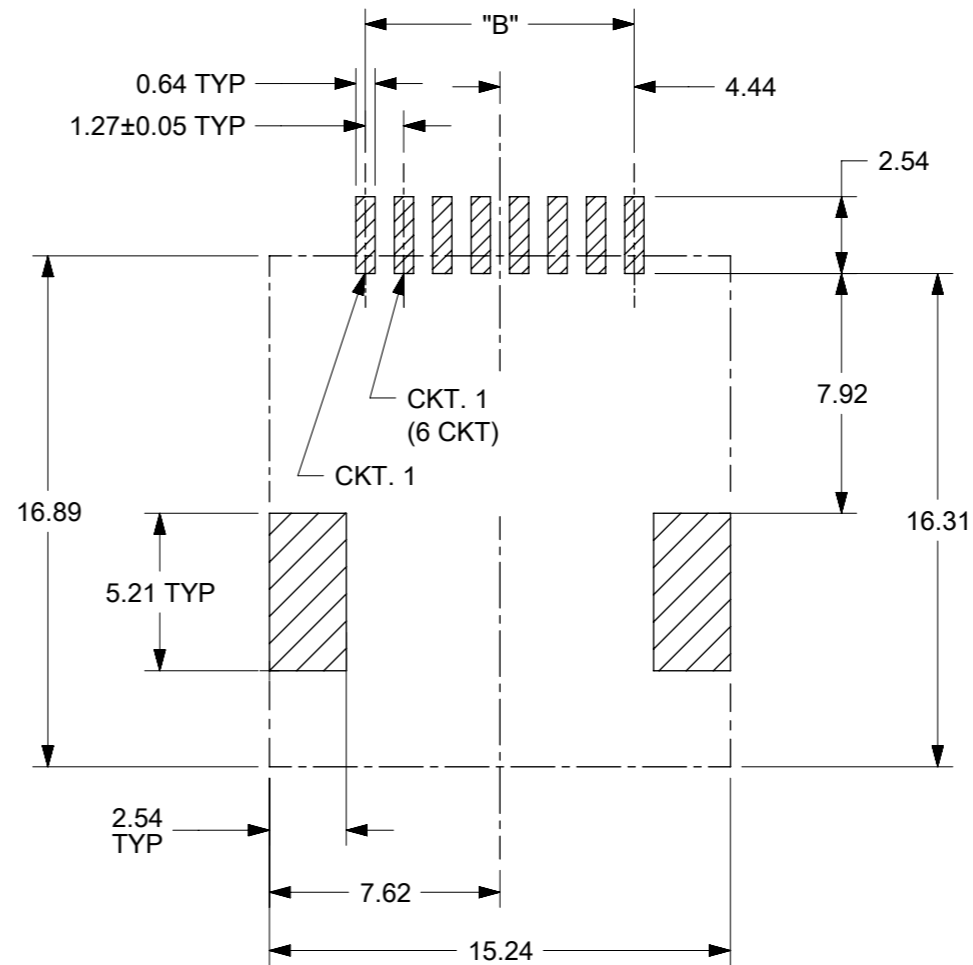
6) THIS PART CONFORMS TO CLASS B REQUIREMENTS OF COSMETIC SPECIFICATION PS-45499-002.

HOUSING SIZE	CIRCUIT SIZE	DIM. B
6	6	6.35
6	4	3.81
6	2	1.27
8	8	8.89
8	6	6.35

THIS DRAWING CONTAINS INFORMATION THAT IS PROPRIETARY TO MOLEX ELECTRONIC TECHNOLOGIES, LLC AND SHOULD NOT BE USED WITHOUT WRITTEN PERMISSION										
DIMENSION UNITS	SCALE	CURRENT REV DESC: REMOVED OBSOLETE PART NUMBER AS PER PCN#511695.								
mm	NTS									
GENERAL TOLERANCES (UNLESS SPECIFIED)										
ANGULAR TOL	± 0.5°	4, 6, 8 CIRCUIT SMT LCP MODULAR JACK W/ FLUSH FITTING NAILS								
4 PLACES	±									
3 PLACES	±	PRODUCT CUSTOMER DRAWING								
2 PLACES	± 0.25									
1 PLACE	± 0.38	EC NO: 730178 DRWN: SANTHN 2022/11/29 CHK'D: GGA 2023/01/04 APPR: GGA 2023/01/04								
0 PLACES	±									
DRAFT WHERE APPLICABLE MUST REMAIN WITHIN DIMENSIONS		THIRD ANGLE PROJECTION	DRAWING	SERIES	MATERIAL NUMBER	CUSTOMER	DOCUMENT NUMBER	DOC TYPE	DOC PART	REVISION
			A3-SIZE	44144	SEE CHART	GENERAL MARKET	441440103	PSD	000	A1
										SHEET NUMBER
										1 OF 2



PCB LAYOUT FOR CONNECTOR SIZE 6
(COMPONENT SIDE OF BOARD)


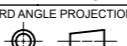


PCB LAYOUT FOR CONNECTOR SIZE 8
(COMPONENT SIDE OF BOARD)

ASSEMBLY ITEM NO.	CONNECTOR SIZE	CIRCUIT SIZE	TERMINAL PLATING	TAPE & REEL PACKAGING No.
44144-0103	8	8	A	PK-70873-7012
44144-0104	6	4	A	PK-70873-7011
44144-0105	6	6	A	PK-70873-7011

HOUSING SIZE	CIRCUIT SIZE	DIM. B
6	6	6.35
6	4	3.81
6	2	1.27
8	8	8.89
8	6	6.35

THIS DRAWING CONTAINS INFORMATION THAT IS PROPRIETARY TO MOLEX ELECTRONIC TECHNOLOGIES, LLC AND SHOULD NOT BE USED WITHOUT WRITTEN PERMISSION

DIMENSION UNITS	SCALE	CURRENT REV DESC: REMOVED OBSOLETE PART NUMBER AS PER PCN#511695.			
mm	NTS	 4, 6, 8 CIRCUIT SMT LCP MODULAR JACK W/ FLUSH FITTING NAILS PRODUCT CUSTOMER DRAWING			
GENERAL TOLERANCES (UNLESS SPECIFIED)				EC NO: 730178	2022/11/29
ANGULAR TOL	± 0.5°			DRWN: SANTHN	2023/01/04
4 PLACES	±			CHK'D: GGA	2023/01/04
3 PLACES	±			APPR: GGA	2023/01/04
2 PLACES	± 0.25	INITIAL REVISION:			
1 PLACE	± 0.38	DRWN: AFENG02	2018/04/06		
0 PLACES	±	APPR: KLANG	2018/05/10		
DRAFT WHERE APPLICABLE MUST REMAIN WITHIN DIMENSIONS		THIRD ANGLE PROJECTION	DRAWING		
			A3-SIZE		
		SERIES	44144		
		MATERIAL NUMBER	SEE CHART		
		CUSTOMER	GENERAL MARKET		
		DOCUMENT NUMBER	441440103		
		DOC TYPE	PSD		
		DOC PART	000		
		REVISION	A1		
		SHEET NUMBER	2 OF 2		