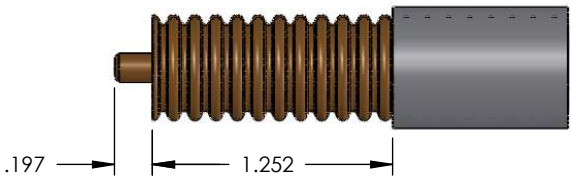
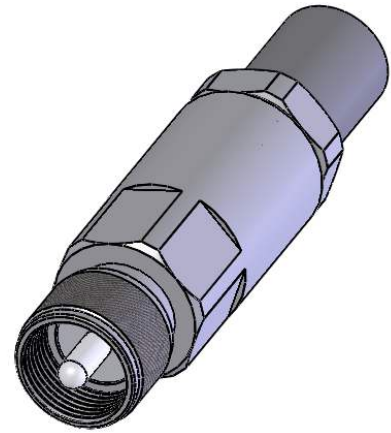
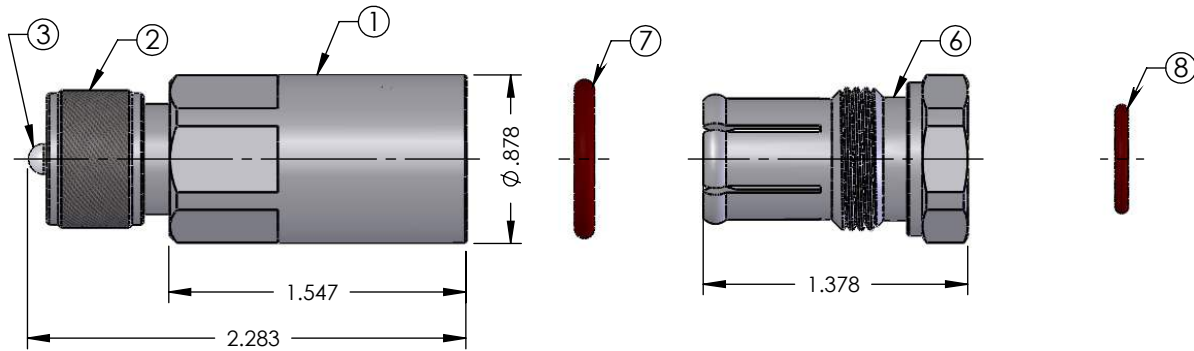


RFU-502-H1

REV	DESCRIPTION	DATE	APPR
-	ENGINEERING RELEASE	12/08/08	JDM



RECOMMENDED STRIPPING DIMENSIONS

SPECIFICATIONS:

IMPEDANCE: NON CONSTANT
 FREQUENCY RANGE: 0-300 MHz
 WORKING VOLTAGE: 500 V rms Max. @ Sea Lev
 FOR ANDREW LDF4-50A & LDF4RN-50A, CELWAVE 810918-001
 CABLEWAVE FLC12-50J & EUPEN 5128 CABLE

NOTE: SILICONE LUBRICATOR INCLUDED (NOT SHOWN)

#	DESCRIPTION	PART NUMBER	MATERIAL	FINISH	QTY.
8	O-RING	023-10X-002-LR	SILICONE RUBBER	NONE	1
7	O-RING	023-10X-001-LR	SILICONE RUBBER	NONE	1
6	SPRING CLAMP	003-06X-001-BT	Brass	WHITE BRONZE	1
5	RETAINING RING	027-06M-001-BT	Brass	NONE	1
4	INSULATOR	010-06X-002-TX	PTFE	NONE	1
3	PIN	009-06M-011-PS	PHOSPHOR BRONZE	SILVER	1
2	SHELL	012-06M-001-BT	Brass	WHITE BRONZE	1
1	BODY	001-06M-001-BT	Brass	WHITE BRONZE	1

ROHS COMPLIANT	
UNLESS OTHERWISE SPECIFIED:	
DIMENSIONS ARE IN INCHES	
ALL DIMENSIO S ARE FOR REFERENCE ONLY	
CABLE GROUP	H1
CODE	008974

NAME	C. ZUNIGA	DATE	12/08/08
DRAWN			
CHECKED			
ENG APPR.			
PROPRIETARY AND CONFIDENTIAL THE INFORMATION CONTAINED IN THIS DRAWING IS THE SOLE PROPERTY OF RF INDUSTRIES. ANY REPRODUCTION IN PART OR AS A WHOLE WITHOUT THE WRITTEN PERMISSION OF RF INDUSTRIES IS STRICTLY PROHIBITED.			

RF INDUSTRIES 7610 MIRAMAR RD. SAN DIEGO, CA. 92126 858-549-6340 FAX 858-549-6345		
TITLE:		
<h2>UHF PLUG, CLAMP</h2>		
SIZE	DWG. NO.	REV
A	RFU-502-H1	-
SCALE: NTS	NOTES:	SHEET 1 OF 1