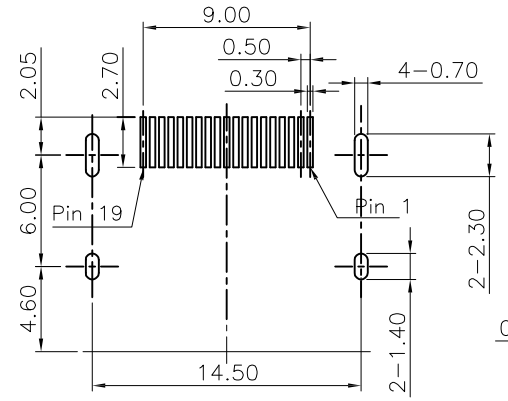
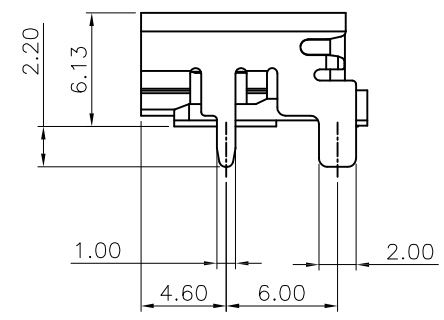
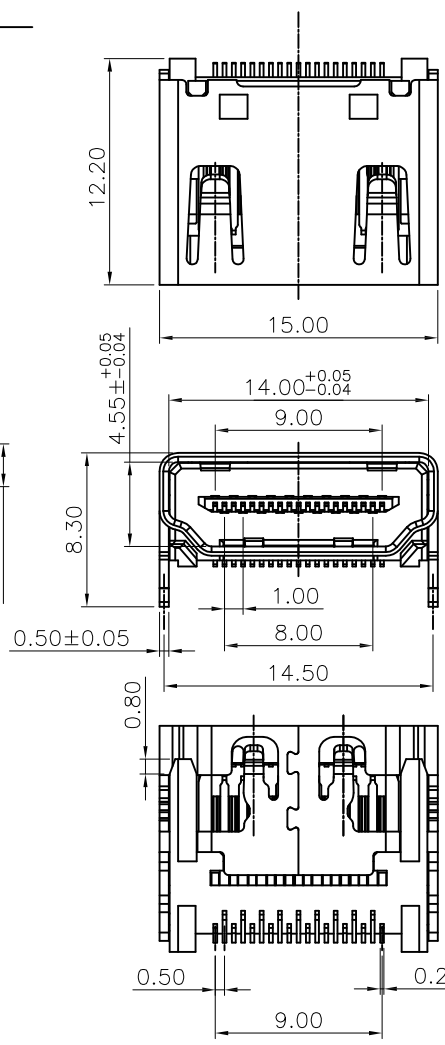


Rev	AWO #	Description	Date	Appr
-		RELEASED	3/11/21	
A		ADDED TITLE	3/11/21	LH/RC
B		ADDED PACKING	3/17/21	WX/RC

APPROVED: _____
 DATE: _____ TITLE: _____



RECOMMENDED PCB LAYOUT



SPECIFICATIONS:
 Material:
 Housing: Hi-temp thermoplastic, UL 94V-0
 Housing color: Black
 Contact: Brass
 Shell: Brass, Nickel plated
 Plating:
 Gold Flash over Nickel underplate on contact area,
 Tin over Nickel underplate on solder tails.
 Electrical:
 Contact resistance: 30 mohms max
 Insulation resistance: 100 Mohms min
 Dielectric withstanding voltage: 300 VAC @Sealevol
 Mechanical:
 Insertion Force: 4.5Kgf max
 Withdrawal Force: 1kgf~4.0kgf
 Durability: 10,000 Cycles
 Environmental:
 Lead free, RoHS Compliant



PACKAGED ON TAPE & REEL

UNLESS OTHERWISE SPECIFIED ALL DIMENSIONS ARE MILLIMETERS TOLERANCES: EXCEPT AS NOTED			
MM	ANGLE		
X. ± 0.35	X° ± 5°		
.X ± 0.25	.X° ± 3°		
APPROVALS		DATE	
DRAWN	LH	3/11/21	
CHECKED	RC	3/11/21	
APPROVED			

ADAM TECH 909 Rahway Avenue,
 Union, NJ 07083
 Phone: 908-687-5000
 Fax: 908-687-5710

TITLE
**HDMI CONNECTOR 2.1 TYPE, RIGHT ANGLE, SMT
 8K, SUPPORTS SPEEDS UP TO 48GBPS**

SIZE X	PART NO. HDMI21-S-RA-SMT-T/R	REV. B
REF: S00013T	SCALE: NTS	SHEET 1 OF 1

6

5

4

3

2

1

6

5

4

3

2

1

6

5

4

3

2

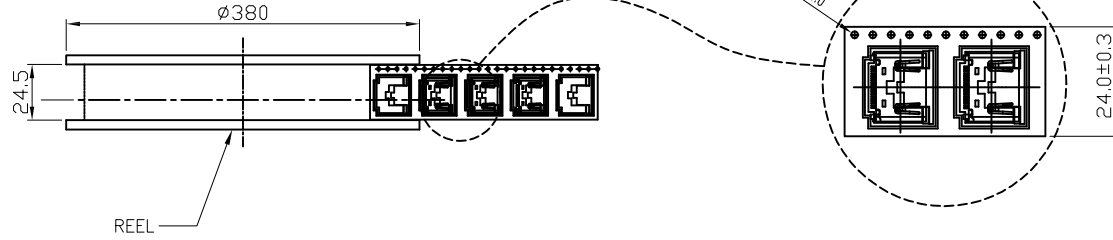
1

APPROVED: _____

DATE: _____ TITLE: _____

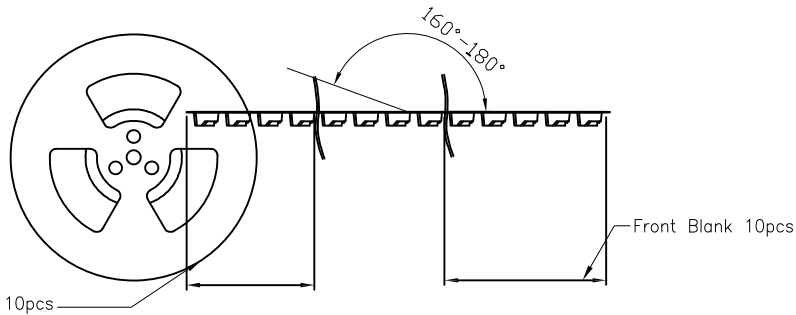
Rev	AWO #	Description	Date	Appr
-----	-------	-------------	------	------

SEE SHT 1 OF 2 FOR REVISION

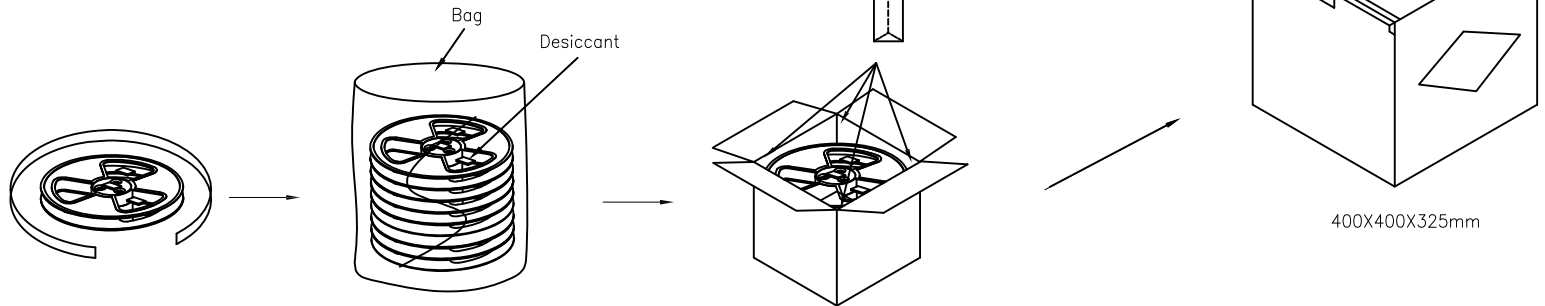


INPUT MATERIAL DIRECTION
INPUT Force - 30~80gf

1 Reel : 500pcs
10 Reel/1Carton
1 carton/5000pcs



GATHER MATERIAL DIRECTION INPUT MATERIAL DIRECTION



UNLESS OTHERWISE SPECIFIED
ALL DIMENSIONS ARE MILLIMETERS
TOLERANCES: EXCEPT AS NOTED

MM	ANGLE
.X ± 0.35	.X° ± 5'
.X ± 0.25	.X° ± 3'

ADAM TECH

909 Rahway Avenue,
Union, NJ 07083
Phone: 908-687-5000
Fax: 908-687-5710

TITLE
HDMI CONNECTOR 2.1 TYPE, RIGHT ANGLE, SMT
8K, SUPPORTS SPEEDS UP TO 48GBPS

APPROVALS		DATE
DRAWN	LH	3/11/21
CHECKED	RC	3/11/21
APPROVED		

SIZE	PART NO.	REV.
X	HDMI21-S-RA-SMT-T/R	B
REF:	S00013T	SCALE: NTS
		SHEET 1 OF 1



6

5

4

3

2

1

D

D

C

C

B

B

A

A