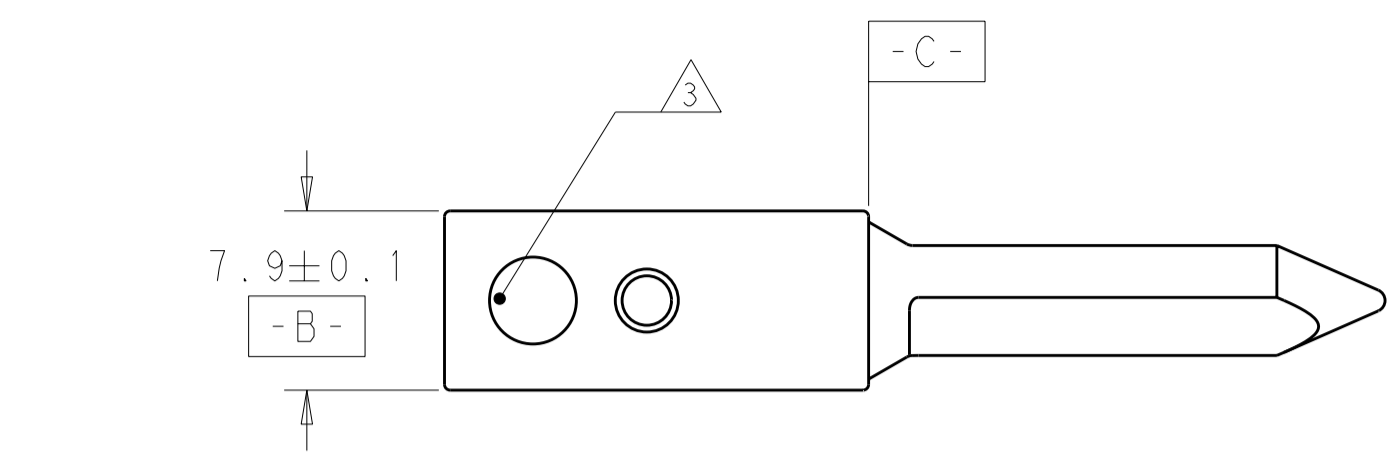
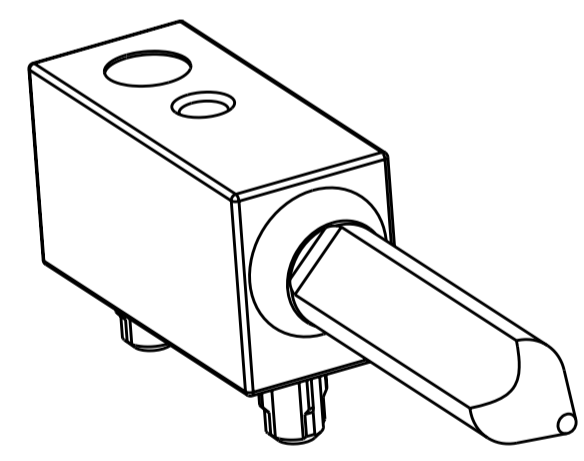
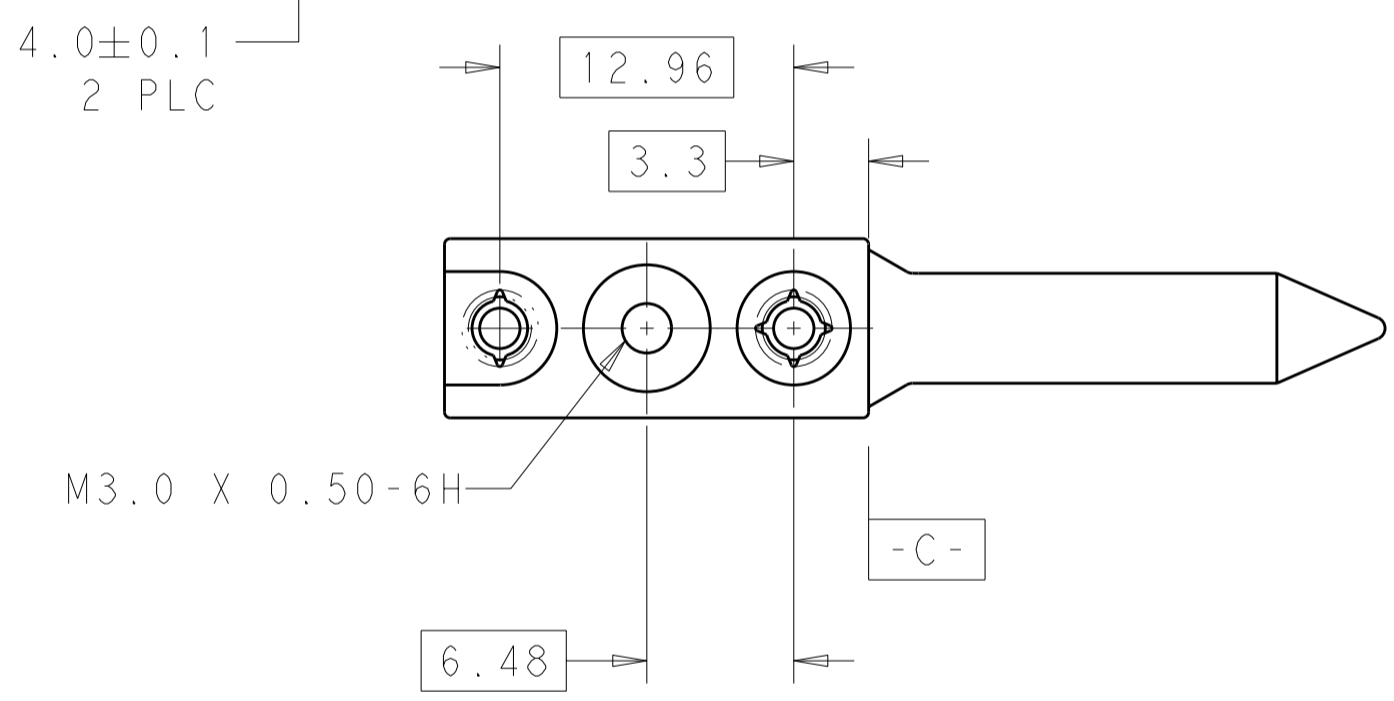
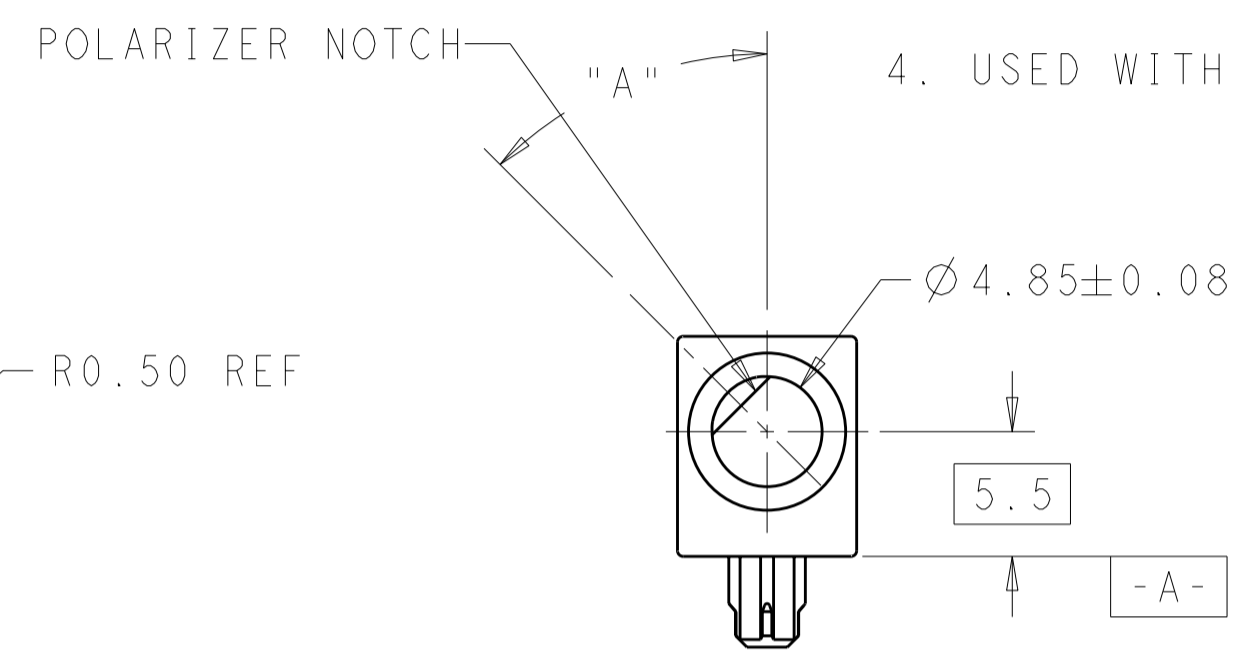
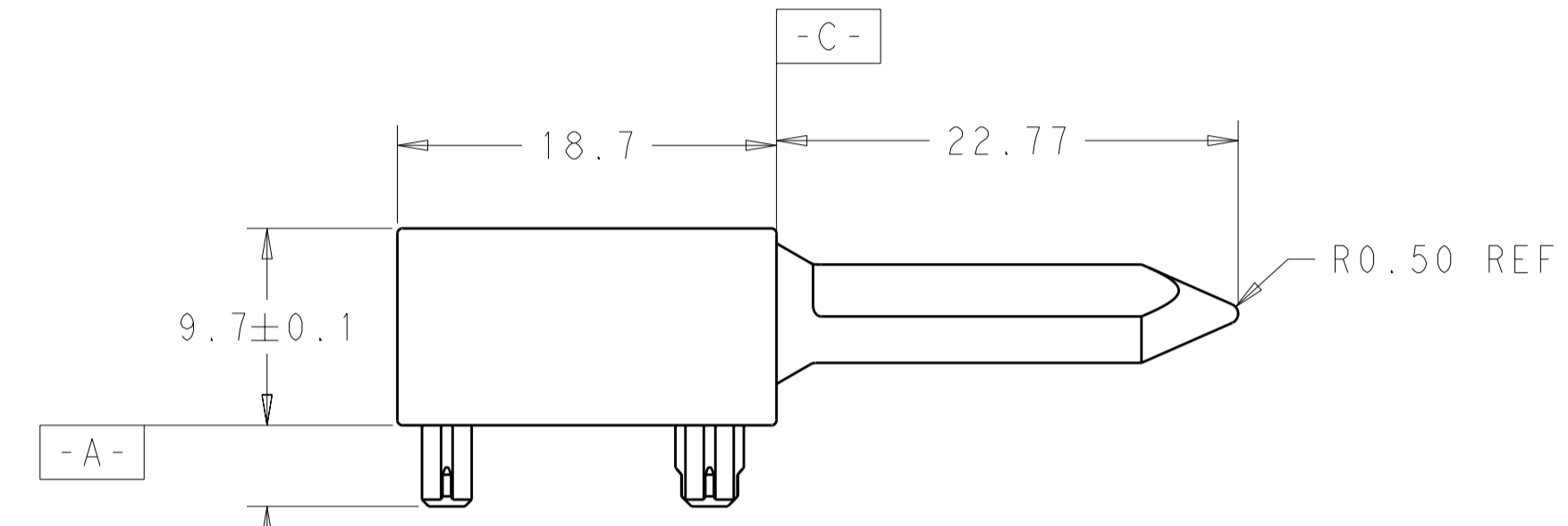


THIS DRAWING IS UNPUBLISHED. RELEASED FOR PUBLICATION 20
 © COPYRIGHT 20 BY TYCO ELECTRONICS CORPORATION. ALL INTERNATIONAL RIGHTS RESERVED.

LOC	DIST	REVISIONS			
P	LTR	DESCRIPTION	DATE	DWN	APVD
AD	00	A	DRAWN	23JUL2010	DH DY

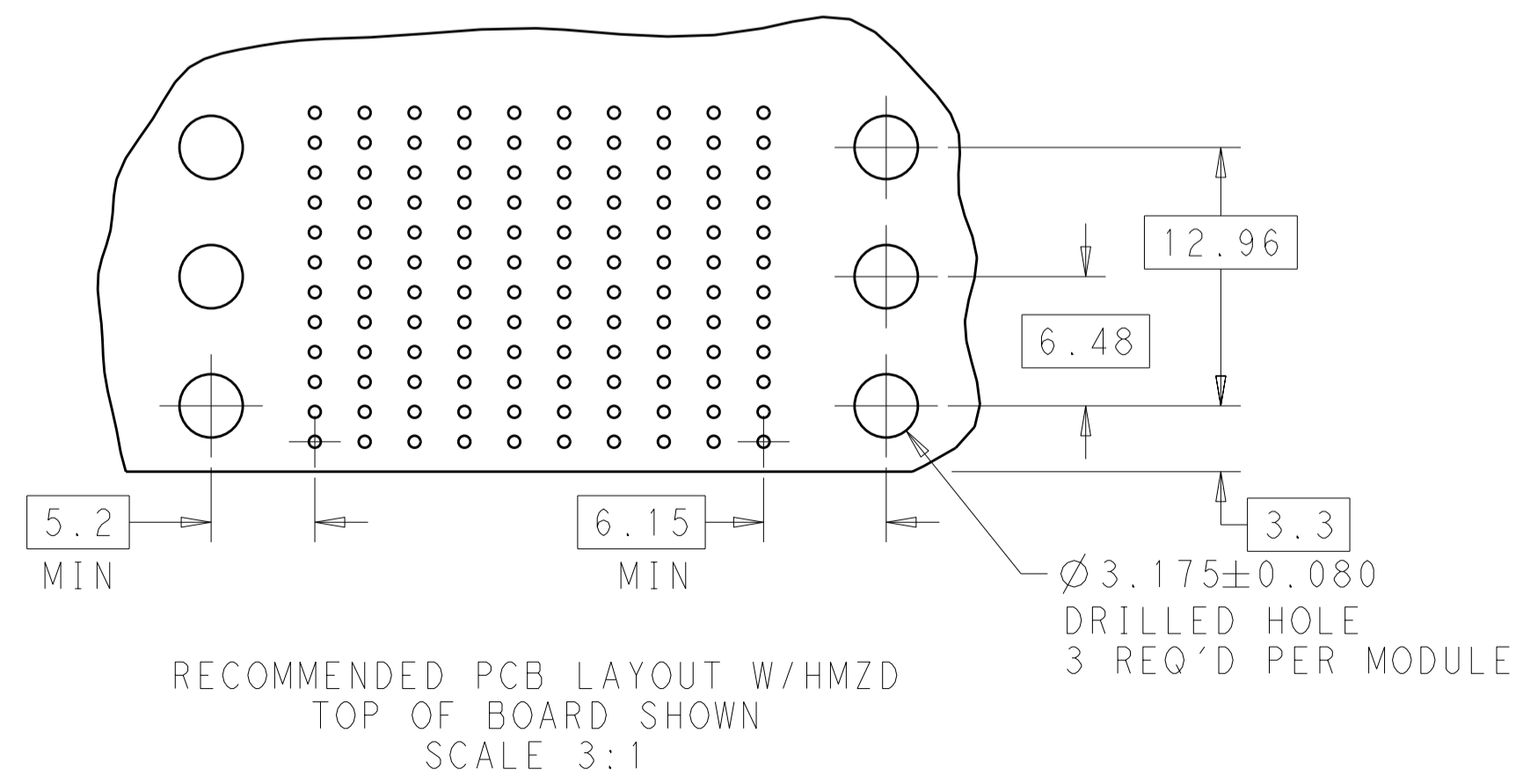


- ① MATERIAL: ZINC ALLOY DIE CAST, ZAMAK 3.
- ② FINISH: CHROMATE CONVERSION COATING, ROHS COMPLIANT
- ③ DASH NUMBER SHOWN THIS LOCATION
- 4. USED WITH PART NUMBER 223986-X



1645544-2 AS SHOWN

N/A (ROUND)	1645544-9
315°	1645544-8
270°	1645544-7
225°	1645544-6
180°	1645544-5
135°	1645544-4
90°	1645544-3
45°	1645544-2
0°	1645544-1
DIM A	PART NUMBER



THIS DRAWING IS A CONTROLLED DOCUMENT FOR TYCO ELECTRONICS CORPORATION. IT IS SUBJECT TO CHANGE AND THE CONTROLLING ENGINEERING ORGANIZATION SHOULD BE CONTACTED FOR THE LATEST REVISION.		DWN D. HUMBERT 23JUL2010	Tyco Electronics Corporation Harrisburg, PA 17105-3608
DIMENSIONS: mm		CHK D. YI 23JUL2010	
TOLERANCES UNLESS OTHERWISE SPECIFIED: 0 PLC ± 1 PLC ±0.5 2 PLC ±0.13 3 PLC ±0.013 4 PLC ±0.0001 ANGLES ± FINISH		APVD D. YI 23JUL2010	NAME UNIVERSAL POWER MODULE RIGHT ANGLE MALE GUIDE PIN, KEYED
MATERIAL		PRODUCT SPEC -	SIZE A200779
①		APPLICATION SPEC -	CAGE CODE C-1645544
②		WEIGHT -	DRAWING NO 1645544
CUSTOMER DRAWING		SCALE 3:1	RESTRICTED TO -
		SHEET 1 OF 1	REV A