

10

9

8

7

6

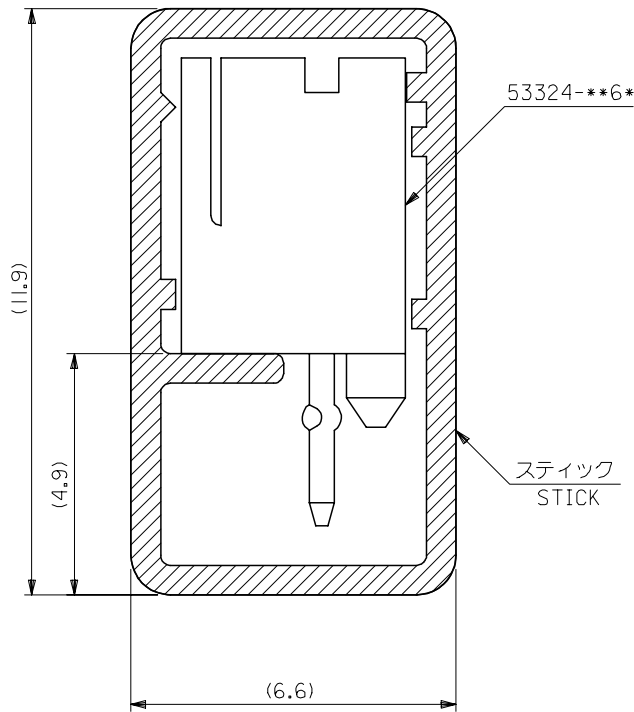
5

4

3

2

1



注記
NOTES

- スティック両端はキャップ止めとする。
BOTH ENDS WITH CAPS.
- 全 長: 600±2
TOTAL LENGTH
- 肉 厚: 0.6±0.2
THICKNESS

4. 製品番号
MATERIAL NO.
53324-***7*

極数CIRCUIT SIZE

色COLOR

ナチュラル(白) NATURAL(WHITE)	0
赤 RED	2
黄 YELLOW	3
青 BLUE	4

無鉛
LEAD FREE

15	16	53324-157*	53324-***7*
14	18	53324-147*	
13	19	53324-137*	
12	20	53324-127*	
11	22	53324-117*	
10	24	53324-107*	
9	26	53324-097*	
8	28	53324-087*	
7	32	53324-077*	
6	36	53324-067*	
5	42	53324-057*	
4	48	53324-047*	
3	60	53324-037*	
2	75	53324-027*	
極数 CKT.	極数 QUANTITY	4. MATERIAL NO.	

REVISED EC NO: J2007-3499 DRW: NAKATA 2007/07/06 CHK: M. SOGAYA 2007/07/23 APP: NUKITA 2007/07/23	GENERAL TOLERANCES (UNLESS SPECIFIED)		DIMENSION STYLE MM ONLY		SCALE 10:1	DESIGN UNITS METRIC	THIRD ANGLE PROJECTION	
	10 UNDER	±0.2	DRAWN BY A. IDA		DATE 2003/03/13		TITLE 53324-***6* STICK PKG	
	10 OVER 30 UNDER	±0.25	CHECKED BY J. MIYAZAWA		DATE 2003/03/13		MOLEX INCORPORATED	
	30 OVER	±0.3	APPROVED BY Y. ITO		DATE 2003/03/13			
	ANGULAR	±3 °	MATERIAL NO.		DOCUMENT NO.		SHEET NO.	
DRAFT WHERE APPLICABLE MUST REMAIN WITHIN DIMENSIONS		SEE CHART		SD-53324-004		1 OF 1		
A	REV	THIS DRAWING CONTAINS INFORMATION THAT IS PROPRIETARY TO MOLEX INCORPORATED AND SHOULD NOT BE USED WITHOUT WRITTEN PERMISSION						

9

8

7

6

5

4

3

2