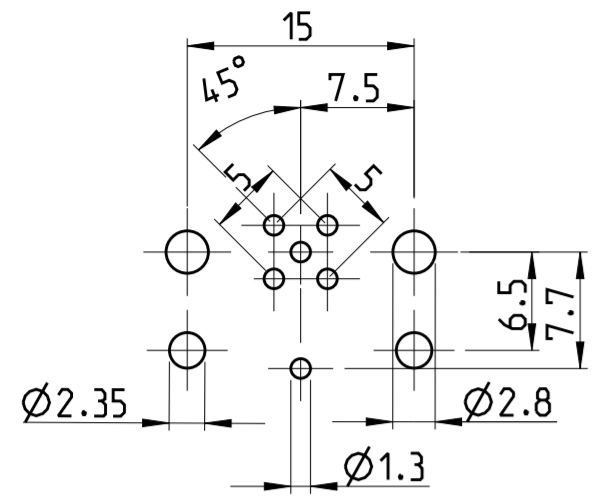


P	LTR	REVISIONS ÄNDERUNGEN DESCRIPTION BESCHREIBUNG	DATE	DWN	APVD
	A	NEW RELEASE	28NOV2014	CR	JK

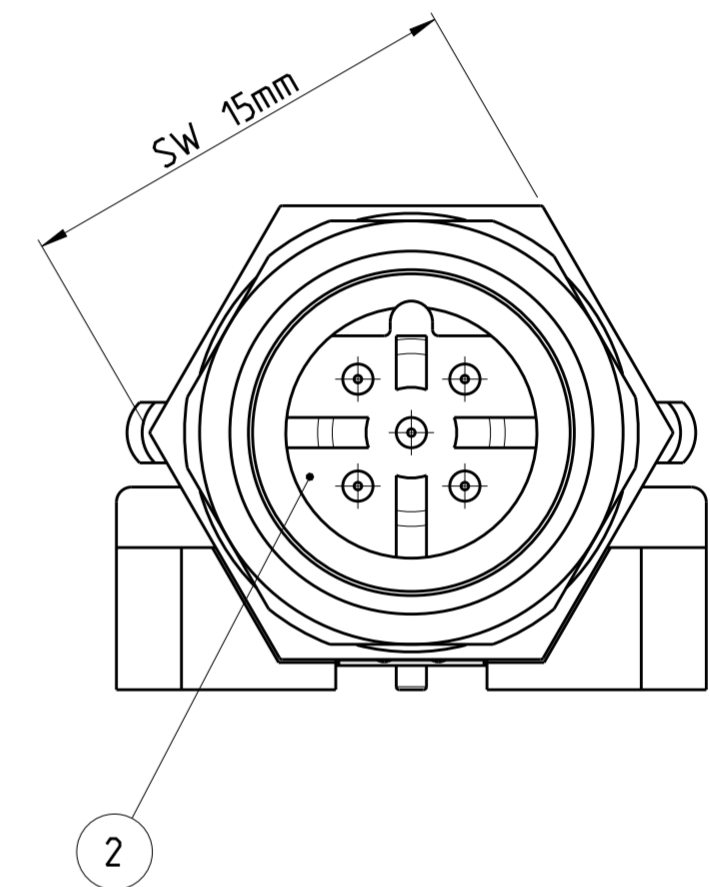
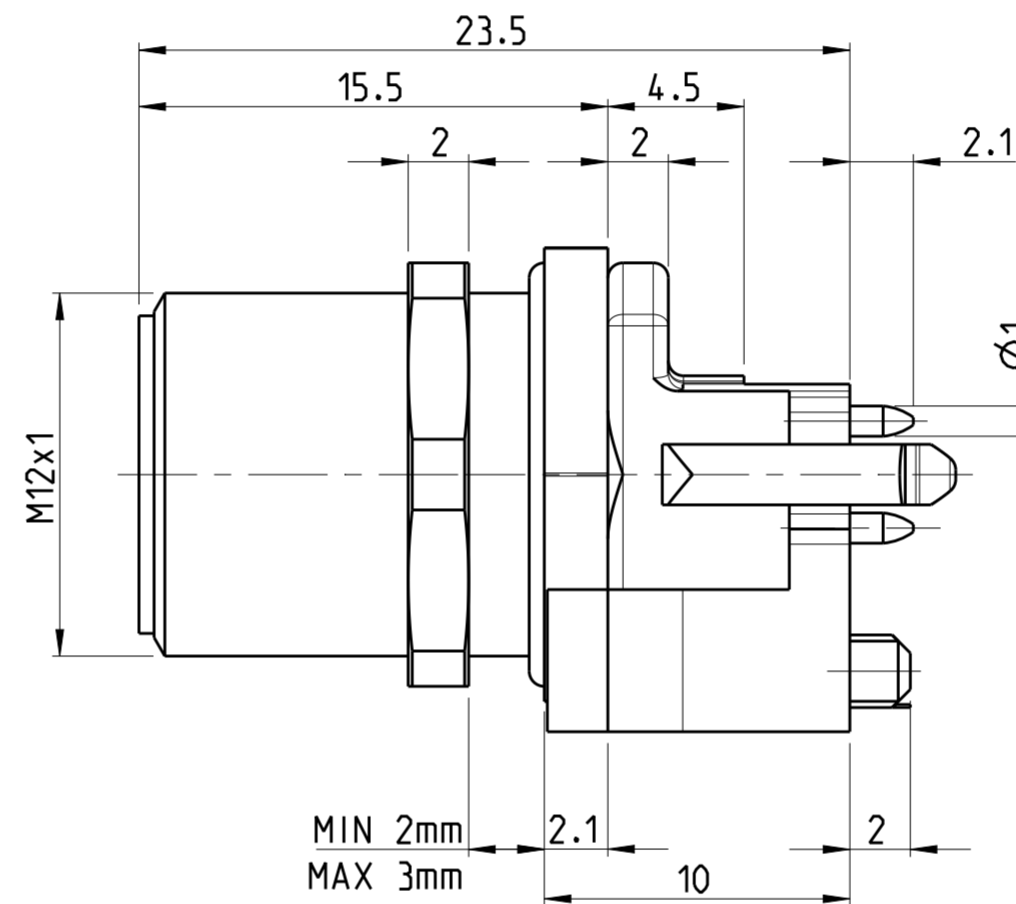
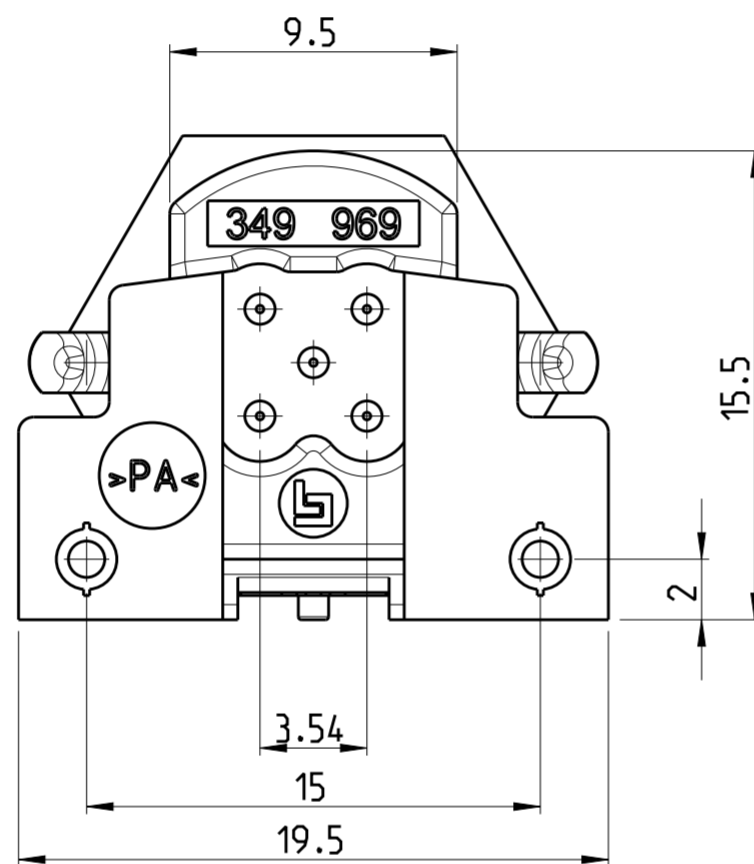
CONDUCTOR LAYOUT



- ⚠ MATERIAL:
- ITEM NO. 1: HOUSING - CuZn (BRASS NICKEL PLATED)
 - ITEM NO. 2: CONTACT BODY - PA
 - ITEM NO. 3: CONTACT - CuZn (BRASS)
 - CONTACT FINISH - Au (GOLD)

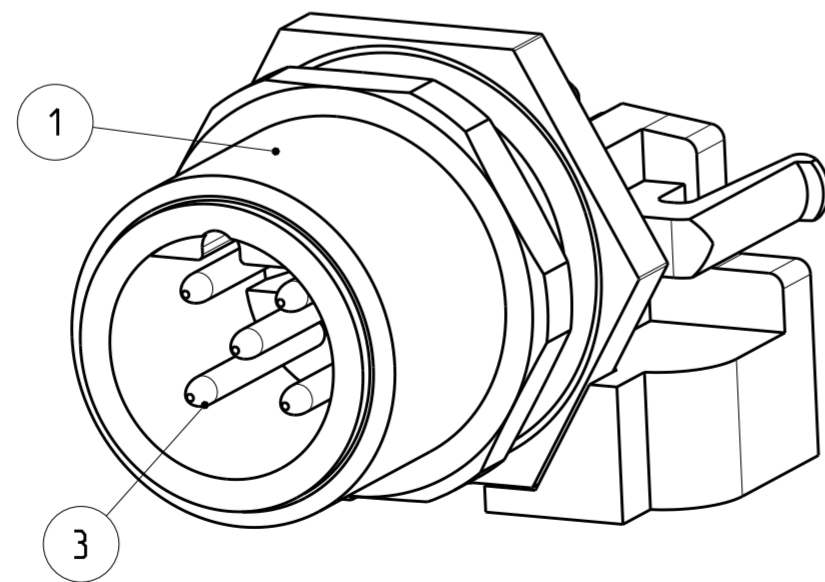
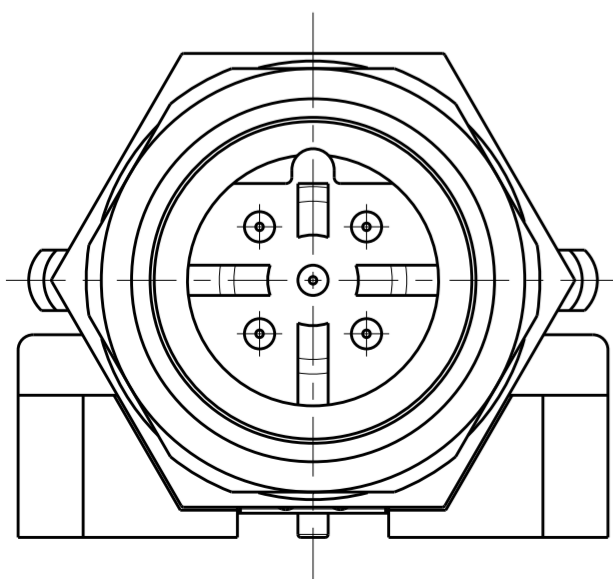
2 ALL DIMENSIONS ARE FOR NOMINAL REFERENCE ONLY UNLESS OTHERWISE STATED

TECHNICAL DATA	4-2172073-2
RATED VOLTAGE	125V
RATED IMPULSE VOLTAGE	1500V
POLLUTION DEGREE	3
OVERVOLTAGE CATEGORY	II
MATERIAL GROUP	II
RATED CURRENT	4A
VOLUME RESISTIVITY	≤ 3mΩ
DEGREE OF PROTECTION	IP67
UPPER TEMPERATURE	+85 °C
LOWER TEMPERATURE	+40 °C



PIN ARRANGEMENT B-CODING

4-2172073-2



SIZE ISO 14405 (E)

DIESE ZEICHNUNG IST EIN KONTROLLIERTES DOKUMENT. BEMASSUNGEN UND TOLERANZEN GEMAESS GPS (ISO STANDARDS).

THIS DRAWING IS A CONTROLLED DOCUMENT. DIMENSIONING AND TOLERANCING PER GPS (ISO STANDARDS).

DIMENSIONS: MASSEINHEIT: (MM)	TOLERANCES UNLESS OTHERWISE SPECIFIED: ALLGEMEINTOLERANZEN
0 PLC	±
1 PLC	±
2 PLC	±
3 PLC	±
4 PLC	±
ANGLES/WINKEL	±
FINISH/OBERFLÄCHE/FARBE	-

MATERIAL: -

⚠	5	4-2172073-2
MATERIAL	NUMBER OF POLES	TE-PART-NO.
STE TE Connectivity		
NAME: M12 MALE CONNECTOR, PCB ASSEMBLY, STRAIGHT, SHIELDED B CODING		
SIZE: A2	CAGE CODE: 00779	DRAWING NO. ZEICHNUNGS-NR.: C-2172073
Customer Drawing	/KUNDENZEICHNUNG	SCALE MASSSTAB: 4:1 SHEET BLATT: 1 OF 1 REV: A