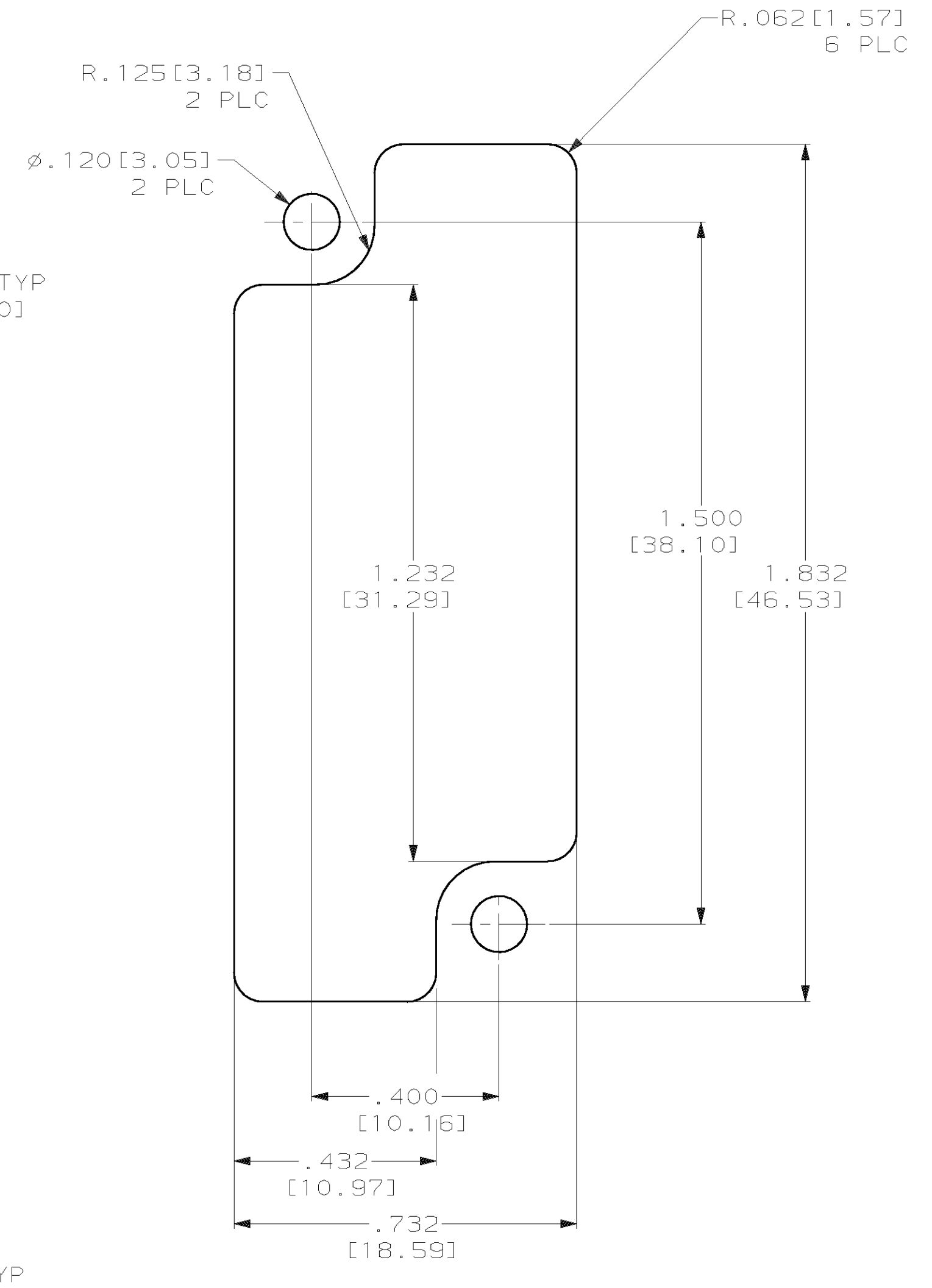
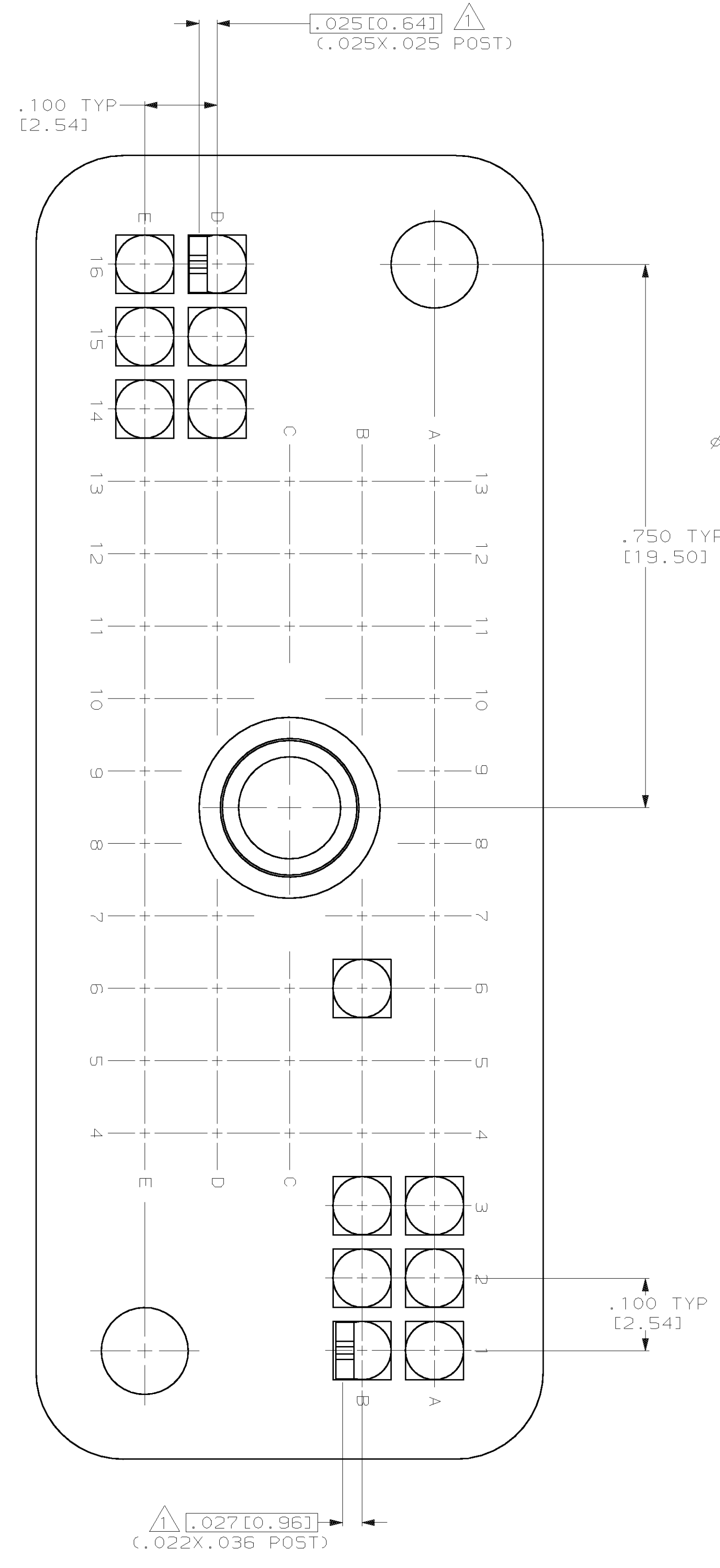
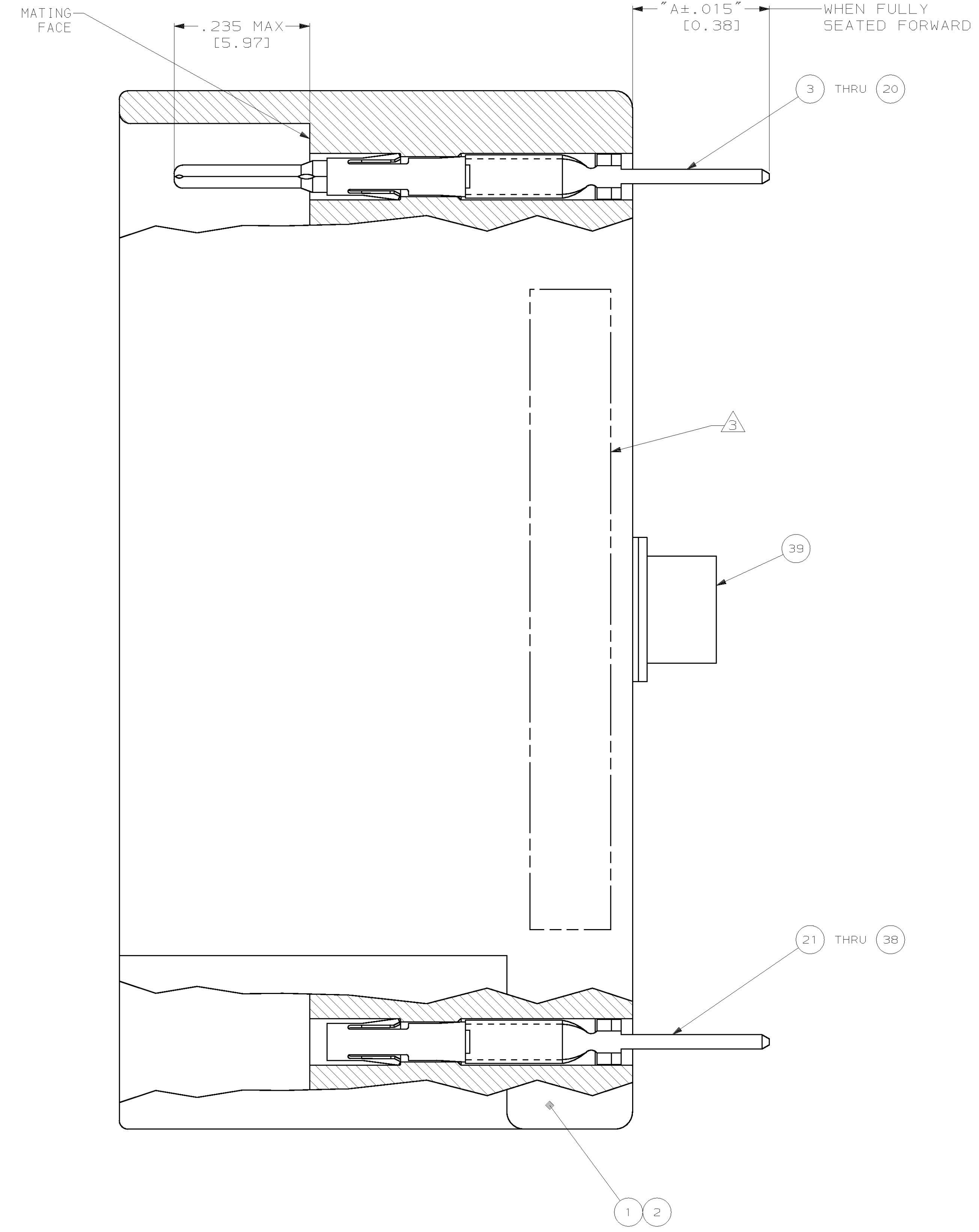


| REVOLUTIONS |         | DATE         | OWN  | APPRO |
|-------------|---------|--------------|------|-------|
| DF          | CO      |              |      |       |
| M           | REV PER | OG3D-0276-01 | 7-02 | CT JM |

- 1. THE TIP OF THE CONTACT POSTS WILL FALL WITHIN .025 DIAMETER TRUE POSITION OF EACH OTHER.
- 2. PARTS TO BE ASSEMBLED BY AMP INC.
- 3. AMP, PART NUMBER AND DATE CODE MARKED ON EITHER SIDE.



SUGGESTED PANEL CUTOUT  
SCALE 4:1

| .520 [13.21] | 3                      | .022X.036 POST |
|--------------|------------------------|----------------|
| .370 [9.40]  | 2                      |                |
| .220 [5.59]  | 1                      |                |
| .670 [17.02] | 3                      | .025X.025 POST |
| .456 [11.58] | 2                      |                |
| .242 [6.15]  | 1                      |                |
| "A"          | NUMBER OF TERMINATIONS | TYPE OF POST   |

|  |  |  |   |
|--|--|--|---|
| <small>THIS DRAWING IS A CONTROLLED DOCUMENT AND IS UNPUBLISHED. IT IS SUBJECT TO CHANGE AND THE CONTROLLING ENGINEERING DEPARTMENT SHALL BE CONTACTED FOR THE LATEST REVISION.</small>                                      |  | DWN: T. THOMPSON 09-08-95<br>CHK: D. MUMMEY 09-08-95<br>APP'D: D. MUMMEY 09-08-95<br>PRODUCT SPEC: AMP<br>APPLICATION SPEC: AMP<br>HEIGHT: --<br>CUSTOMER DRAWING: | <b>AMP</b><br>AMP Incorporated<br>Harrisburg, PA 17105-3608<br>54 POSITION, HDR, RECEPTACLE W/ JACKSCREW<br>SIZE: A1<br>CAGE CODE: 00779<br>DRAWING NO: C=204690<br>SCALE: 8:1<br>SHEET: 13 OF 13<br>REV: M |
| DIMENSIONS: IN (mm)<br>TOLERANCES UNLESS OTHERWISE SPECIFIED:<br>∅ PLC: ±.005 (0.13)<br>1 PLC: ±.005 (0.13)<br>2 PLC: ±.005 (0.13)<br>3 PLC: ±.005 (0.13)<br>4 PLC: ±.005 (0.13)<br>ANGLE: ±.005 (0.13)<br>FINISH: SEE TABLE | DIMENSIONS: IN (mm)<br>TOLERANCES UNLESS OTHERWISE SPECIFIED:<br>∅ PLC: ±.005 (0.13)<br>1 PLC: ±.005 (0.13)<br>2 PLC: ±.005 (0.13)<br>3 PLC: ±.005 (0.13)<br>4 PLC: ±.005 (0.13)<br>ANGLE: ±.005 (0.13)<br>FINISH: SEE TABLE | DWN: T. THOMPSON 09-08-95<br>CHK: D. MUMMEY 09-08-95<br>APP'D: D. MUMMEY 09-08-95<br>PRODUCT SPEC: AMP<br>APPLICATION SPEC: AMP<br>HEIGHT: --<br>CUSTOMER DRAWING: | <b>AMP</b><br>AMP Incorporated<br>Harrisburg, PA 17105-3608<br>54 POSITION, HDR, RECEPTACLE W/ JACKSCREW<br>SIZE: A1<br>CAGE CODE: 00779<br>DRAWING NO: C=204690<br>SCALE: 8:1<br>SHEET: 13 OF 13<br>REV: M |



| LOC | QTY | REV | DATE | DESCRIPTION | DATE | QTY | APPROV |
|-----|-----|-----|------|-------------|------|-----|--------|
| DF  | CO  |     |      | SEE SHT 1   |      |     |        |

|    |    |    |    |    |    |    |    |    |    |    |    |    |    |   |   |    |   |   |   |            |                       |   |                              |    |
|----|----|----|----|----|----|----|----|----|----|----|----|----|----|---|---|----|---|---|---|------------|-----------------------|---|------------------------------|----|
| 1  | 1  | 1  | 1  | 1  | 1  | 1  | 1  | 1  | 1  | 1  | 1  | 1  | 1  | 1 | 1 | 1  | 1 | 1 | A | 203879-1   | FEMALE                | - | JACKSCREW ASSY KIT           | 39 |
| -  | -  | -  | -  | -  | -  | -  | 54 | -  | -  | -  | -  | -  | -  | - | - | 54 | - | - | C | 1-205172-2 | GOLD/NICKEL           | 3 | SOCKET ASSY .025 X .025 POST | 38 |
| -  | -  | -  | -  | -  | -  | -  | 54 | -  | -  | -  | -  | -  | -  | - | - | 54 | - | - | C | 1-205172-1 | GOLD/NICKEL           | 2 | SOCKET ASSY .025 X .025 POST | 37 |
| -  | -  | -  | -  | -  | -  | -  | 54 | -  | -  | -  | -  | -  | -  | - | - | 54 | - | - | C | 1-205172-0 | GOLD/NICKEL           | 1 | SOCKET ASSY .025 X .025 POST | 36 |
| -  | 54 | -  | -  | -  | -  | -  | -  | 54 | -  | -  | -  | -  | -  | - | - | -  | - | - | C | 205172-9   | SELECTIVE GOLD        | 3 | SOCKET ASSY .025 X .025 POST | 35 |
| -  | -  | 54 | -  | -  | -  | -  | -  | -  | 54 | -  | -  | -  | -  | - | - | -  | - | - | C | 205172-8   | SELECTIVE GOLD        | 2 | SOCKET ASSY .025 X .025 POST | 34 |
| -  | -  | -  | 54 | -  | -  | -  | -  | -  | -  | 54 | -  | -  | -  | - | - | -  | - | - | C | 205172-7   | SELECTIVE GOLD        | 1 | SOCKET ASSY .025 X .025 POST | 33 |
| -  | -  | -  | -  | 54 | -  | -  | -  | -  | -  | -  | 54 | -  | -  | - | - | -  | - | - | C | 205172-3   | TIN                   | 3 | SOCKET ASSY .025 X .025 POST | 32 |
| -  | -  | -  | -  | -  | 54 | -  | -  | -  | -  | -  | -  | 54 | -  | - | - | -  | - | - | C | 205172-2   | TIN                   | 2 | SOCKET ASSY .025 X .025 POST | 31 |
| -  | -  | -  | -  | -  | -  | 54 | -  | -  | -  | -  | -  | -  | 54 | - | - | -  | - | - | C | 205172-1   | TIN                   | 1 | SOCKET ASSY .025 X .025 POST | 30 |
| -  | -  | -  | -  | -  | -  | -  | -  | -  | -  | -  | -  | -  | -  | - | - | -  | - | - | C | 204292-9   | SELECTIVE GOLD        | 3 | SOCKET ASSY .022 X .036 POST | 29 |
| -  | -  | -  | -  | -  | -  | -  | -  | -  | -  | -  | -  | -  | -  | - | - | -  | - | - | C | 204292-8   | SELECTIVE GOLD        | 2 | SOCKET ASSY .022 X .036 POST | 28 |
| -  | -  | -  | -  | -  | -  | -  | -  | -  | -  | -  | -  | -  | -  | - | - | -  | - | - | C | 204292-7   | SELECTIVE GOLD        | 1 | SOCKET ASSY .022 X .036 POST | 27 |
| -  | -  | -  | -  | -  | -  | -  | -  | -  | -  | -  | -  | -  | -  | - | - | -  | - | - | C | 204292-6   | NICKEL                | 3 | SOCKET ASSY .022 X .036 POST | 26 |
| -  | -  | -  | -  | -  | -  | -  | -  | -  | -  | -  | -  | -  | -  | - | - | -  | - | - | C | 204292-5   | NICKEL                | 2 | SOCKET ASSY .022 X .036 POST | 25 |
| -  | -  | -  | -  | -  | -  | -  | -  | -  | -  | -  | -  | -  | -  | - | - | -  | - | - | C | 204292-4   | NICKEL                | 1 | SOCKET ASSY .022 X .036 POST | 24 |
| -  | -  | -  | -  | -  | -  | -  | -  | -  | -  | -  | -  | -  | -  | - | - | -  | - | - | C | 204292-3   | GOLD/NICKEL           | 3 | SOCKET ASSY .022 X .036 POST | 23 |
| -  | -  | -  | -  | -  | -  | -  | -  | -  | -  | -  | -  | -  | -  | - | - | -  | - | - | C | 204292-2   | GOLD/NICKEL           | 2 | SOCKET ASSY .022 X .036 POST | 22 |
| -  | -  | -  | -  | -  | -  | -  | -  | -  | -  | -  | -  | -  | -  | - | - | -  | - | - | C | 204292-1   | GOLD/NICKEL           | 1 | SOCKET ASSY .022 X .036 POST | 21 |
| -  | -  | -  | -  | -  | -  | -  | -  | -  | -  | -  | -  | -  | -  | - | - | -  | - | - | C | 204285-9   | SELECTIVE GOLD        | 1 | PIN ASSY .022 X .036 POST    | 20 |
| -  | -  | -  | -  | -  | -  | -  | -  | -  | -  | -  | -  | -  | -  | - | - | -  | - | - | C | 204285-8   | SELECTIVE GOLD        | 2 | PIN ASSY .022 X .036 POST    | 19 |
| -  | -  | -  | -  | -  | -  | -  | -  | -  | -  | -  | -  | -  | -  | - | - | -  | - | - | C | 204285-7   | SELECTIVE GOLD        | 3 | PIN ASSY .022 X .036 POST    | 18 |
| -  | -  | -  | -  | -  | -  | -  | -  | -  | -  | -  | -  | -  | -  | - | - | -  | - | - | C | 204285-6   | TIN                   | 1 | PIN ASSY .022 X .036 POST    | 17 |
| -  | -  | -  | -  | -  | -  | -  | -  | -  | -  | -  | -  | -  | -  | - | - | -  | - | - | C | 204285-5   | TIN                   | 2 | PIN ASSY .022 X .036 POST    | 16 |
| -  | -  | -  | -  | -  | -  | -  | -  | -  | -  | -  | -  | -  | -  | - | - | -  | - | - | C | 204285-4   | TIN                   | 3 | PIN ASSY .022 X .036 POST    | 15 |
| -  | -  | -  | -  | -  | -  | -  | -  | -  | -  | -  | -  | -  | -  | - | - | -  | - | - | C | 204285-3   | GOLD/NICKEL           | 1 | PIN ASSY .022 X .036 POST    | 14 |
| -  | -  | -  | -  | -  | -  | -  | -  | -  | -  | -  | -  | -  | -  | - | - | -  | - | - | C | 204285-2   | GOLD/NICKEL           | 2 | PIN ASSY .022 X .036 POST    | 13 |
| -  | -  | -  | -  | -  | -  | -  | -  | -  | -  | -  | -  | -  | -  | - | - | -  | - | - | C | 204285-1   | GOLD/NICKEL           | 3 | PIN ASSY .022 X .036 POST    | 12 |
| -  | -  | -  | -  | -  | -  | -  | -  | -  | -  | -  | -  | -  | -  | - | - | -  | - | - | C | 1-205171-2 | GOLD/NICKEL           | 3 | PIN ASSY .025 X .025 POST    | 11 |
| 54 | -  | -  | -  | -  | -  | -  | -  | -  | -  | -  | -  | -  | -  | - | - | -  | - | - | C | 1-205171-1 | GOLD/NICKEL           | 2 | PIN ASSY .025 X .025 POST    | 10 |
| -  | -  | -  | -  | -  | -  | -  | -  | -  | -  | -  | -  | -  | -  | - | - | -  | - | - | C | 1-205171-0 | GOLD/NICKEL           | 1 | PIN ASSY .025 X .025 POST    | 9  |
| -  | -  | -  | -  | -  | -  | -  | -  | -  | -  | -  | -  | -  | -  | - | - | -  | - | - | C | 205171-9   | SELECTIVE GOLD        | 3 | PIN ASSY .025 X .025 POST    | 8  |
| -  | -  | -  | -  | -  | -  | -  | -  | -  | -  | -  | -  | -  | -  | - | - | -  | - | - | C | 205171-8   | SELECTIVE GOLD        | 2 | PIN ASSY .025 X .025 POST    | 7  |
| -  | -  | -  | -  | -  | -  | -  | -  | -  | -  | -  | -  | -  | -  | - | - | -  | - | - | C | 205171-7   | SELECTIVE GOLD        | 1 | PIN ASSY .025 X .025 POST    | 6  |
| -  | -  | -  | -  | -  | -  | -  | -  | -  | -  | -  | -  | -  | -  | - | - | -  | - | - | C | 205171-3   | TIN                   | 3 | PIN ASSY .025 X .025 POST    | 5  |
| -  | -  | -  | -  | -  | -  | -  | -  | -  | -  | -  | -  | -  | -  | - | - | -  | - | - | C | 205171-2   | TIN                   | 2 | PIN ASSY .025 X .025 POST    | 4  |
| -  | -  | -  | -  | -  | -  | -  | -  | -  | -  | -  | -  | -  | -  | - | - | -  | - | - | C | 205171-1   | TIN                   | 1 | PIN ASSY .025 X .025 POST    | 3  |
| 1  | 1  | 1  | 1  | 1  | 1  | 1  | 1  | 1  | 1  | 1  | 1  | 1  | 1  | 1 | 1 | 1  | 1 | 1 | D | 203803-2   | DIALYL PHTHALATE-BLUE | - | BLOCK                        | 2  |
| -  | -  | -  | -  | -  | -  | -  | -  | -  | -  | 1  | 1  | 1  | 1  | 1 | 1 | 1  | 1 | 1 | D | 203803-1   | PHENOLIC-BLACK        | - | BLOCK                        | 1  |

| DWG SIZE | PART NO | REMARKS | TERMINATIONS | DESCRIPTION | ITEM NO |
|----------|---------|---------|--------------|-------------|---------|
| OBS      |         |         |              |             |         |
| OBS      |         |         |              |             |         |
| OBS      |         |         |              |             |         |
| OBS      |         |         |              |             |         |
| OBS      |         |         |              |             |         |
| OBS      |         |         |              |             |         |
| OBS      |         |         |              |             |         |
| OBS      |         |         |              |             |         |
| OBS      |         |         |              |             |         |
| OBS      |         |         |              |             |         |
| OBS      |         |         |              |             |         |
| OBS      |         |         |              |             |         |
| OBS      |         |         |              |             |         |
| OBS      |         |         |              |             |         |
| OBS      |         |         |              |             |         |
| OBS      |         |         |              |             |         |
| OBS      |         |         |              |             |         |
| OBS      |         |         |              |             |         |

|                        |  |   |  |
|------------------------|--|---|--|
| DIMENSIONS:<br>IN (mm) | TOLERANCES UNLESS OTHERWISE SPECIFIED:<br>Ø PLG .0015" .150" .005" .010" .015" .020" .025" .030" .040" .050" .060" .070" .080" .090" .100"<br>FINISH | DWG: T. THOMPSON 09-08-95<br>CHK: D. MUMMEY 09-08-95<br>PRD: D. MUMMEY 09-08-95<br>PRODUCT SPEC<br>APPLICATION SPEC<br>HEIGHT | <b>AMP</b> AMP Incorporated<br>Harrisburg, PA 17105-3608<br>54 POSITION, HDR, RECEPTACLE W/ JACKSCREW<br>SIZE: A1<br>CAGE CODE: 00779<br>DRAWING NO: C=204690<br>SCALE: 8:1<br>SHEET: 3 OF 3<br>REV: M |
|------------------------|--|---|--|