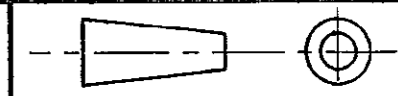


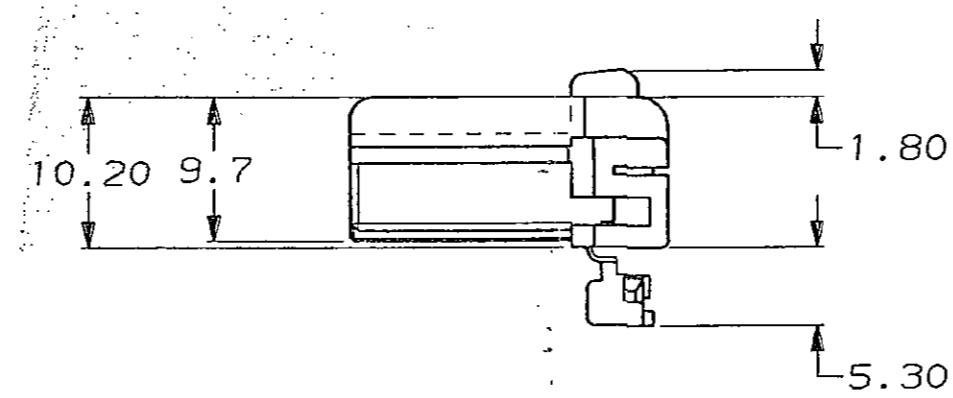
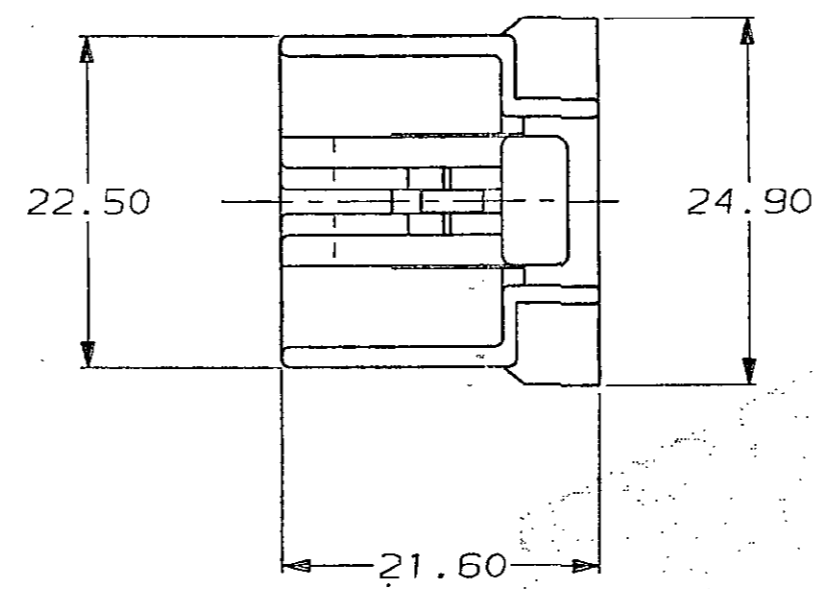
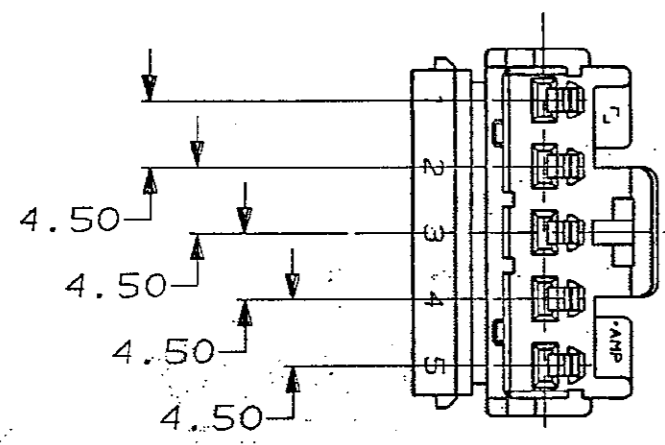
8 | 7 | 6 | 5 | 4 | 3 | 2 | 1

DO NOT SCALE

DIMENSIONS IN MM.



C.A.D. FILE CODE
S. C347477



INHIBITIONS

347477-3	347477-1
347477-4	347477-2

GREEN	HEAT STABILIZED PA6,6	347477-4
BLUE	HEAT STABILIZED PA6,6	347477-3
WHITE	HEAT STABILIZED PA6,6	347477-2
BLACK	HEAT STABILIZED PA6,6	347477-1
COLOUR	MATERIAL	PART NUMBER

CUSTOMER DWG FOR REFERENCE ONLY		©COPYRIGHT 1992 BY AMP OF GREAT BRITAIN LTD. ALL INTERNATIONAL RIGHTS RESERVED. ALL PRODUCTS MAY BE COVERED BY BRITISH AND FOREIGN PATENTS AND/OR PATENTS PENDING.		RELEASED FOR PUBLICATION 30 JUL 1992	
TOLERANCES UNLESS OTHERWISE STATED DEC ± 0.5 ANGLES ± 1°		DR. DBK-M 30/7/92		APP. J. PALMER	
AMP of Great Britain Ltd.		TERMINAL HOUSE STANMORE MIDDXX.			
NAME 5-WAY RECEPTACLE HOUSING MULTILOCK - TRW SWITCH					
REV	APPROVED	ECN	DATE	SCALE	SHEET
1				2/1 E A2	1/1
			DWG.No.	C347477	

8 | 7 | 6 | 5 | 4 | 3 | 2 | 1