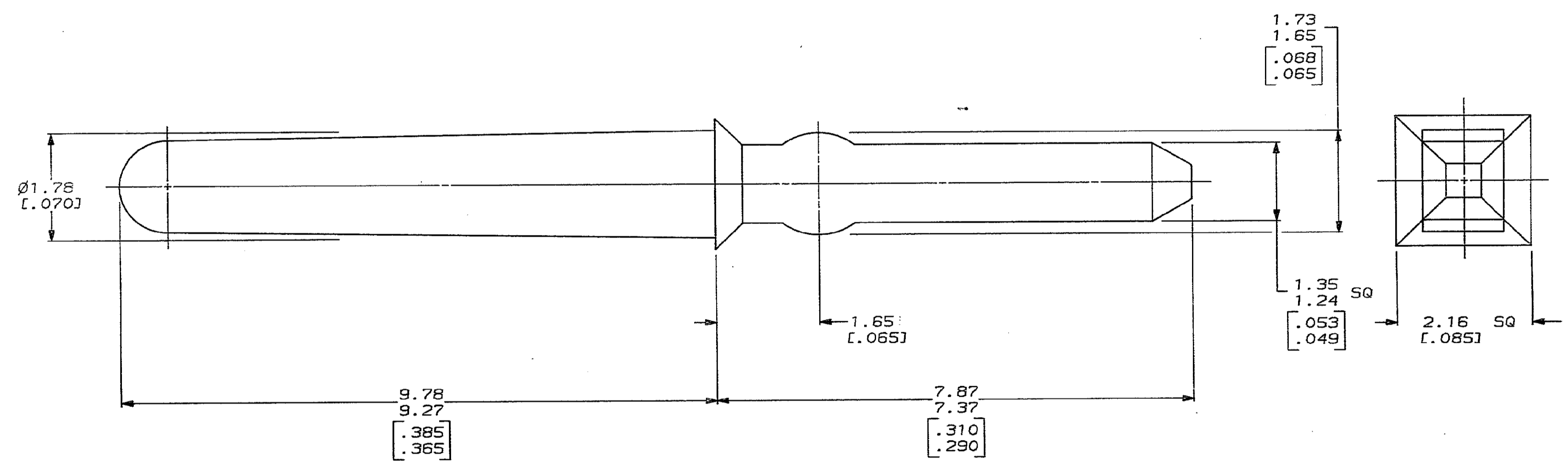


LOC	DIST	P	F	ZONE	LTR	REVISIONS	DATE	APPD
CM	54					REV AND REDWN PER ECN CM-11	3-22-91	TB

1. DIMENSIONS IN BRACKETS ARE IN INCHES.



640630-1
PART NO

DO NOT SCALE PRINT. UNLESS SPECIFIED DIMENSIONS IN mm [INCHES] TOLERANCES ON: 2 PLC DEC ± - 3 PLC DEC ± 0.13 [.005] ANGLES ± -	DR <i>Berk 3-27-91</i> CHK <i>A. Smith 3-27-91</i> APPD <i>D. Miller 4-3-91</i>
MATERIAL NYLON, 6/6 NATURAL	APPD
FINISH	PRODUCT SPEC
	APPLICATION SPEC
	WEIGHT

AMP AMP Incorporated Harrisburg, PA 17105-3608		
NAME KEYING PLUG, MTA156		
SIZE C	CAGE CODE 00779	DRAWING NO 640630
SCALE 20:1	SHEET 1 OF 1	

METRIC