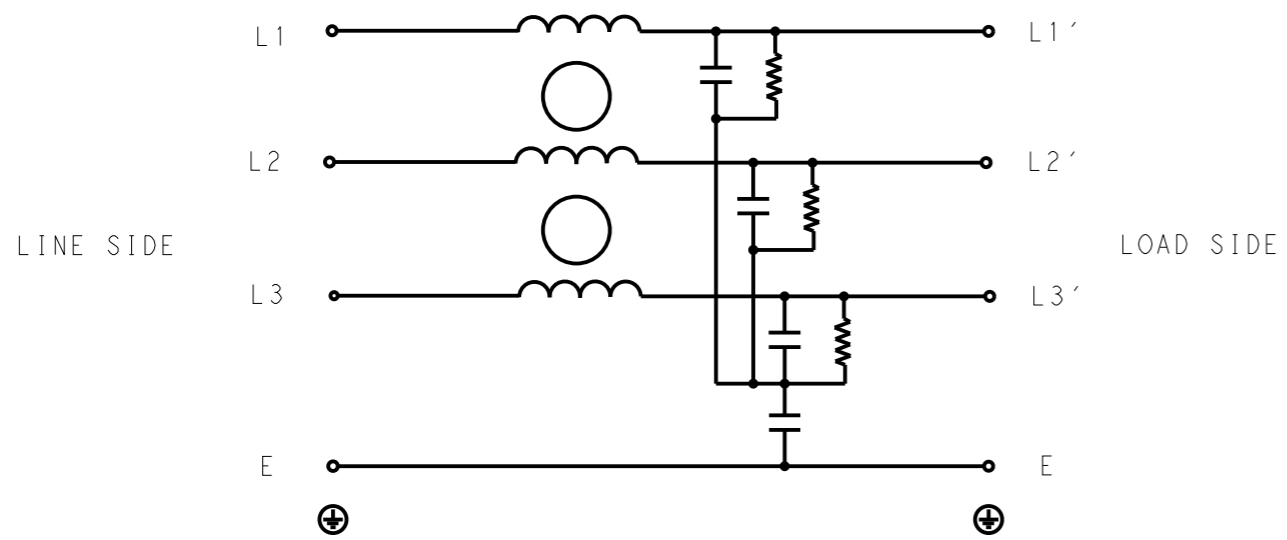


P	LTR	DESCRIPTION	DATE	DWN	APVD
	A	INITIAL RELEASE	05APR2021	SR	CB



SCHEMATIC

TYPICAL INSERTION LOSS  
COMMON MODE 50/50Ω; DIFFERENTIAL MODE 50/50Ω

MHz	0.01	0.05	0.15	0.5	1	3	5	10	30
CM	3	3	10	23	32	34	45	43	30
DM	3	4	8	29	31	36	42	49	49

SAFETY ORGANIZATIONS

THIS FILTER WILL BE FORMALLY RECOGNIZED, CERTIFIED OR APPROVED BY THE LISTED AGENCY. THEREFORE, ALL TEST/REQUIREMENTS SPECIFIED IN THE LATEST REVISION OF THE FOLLOWING AGENCY STANDARDS WILL BE MET:

UL APPROVED 50A 520V 50Hz/60Hz 40°C  
CSA PENDING 50A 520V 50Hz/60Hz 40°C

OPERATING SPECIFICATION

LINE CURRENT/VOLTAGE: 50A, 520VAC  
LINE FREQUENCY: 50/60Hz

MAXIMUM LEAKAGE CURRENT: 5mA @ 230VAC, 50Hz

OPERATING AMBIENT TEMPERATURE RANGE @ RATED CURRENT: -25°C TO +40°C

IN AN AMBIENT, T<sub>a</sub>, HIGHER THAN 40°C, THE MAXIMUM OPERATING CURRENT, I<sub>o</sub>, IS AS FOLLOWS:

$$I_o = I_r \sqrt{\frac{85 - T_a}{45}}$$

RELIABILITY SPECIFICATIONS

STORAGE TEMPERATURE: -40°C TO +85°C  
HUMIDITY: 21 DAYS @ 40°C AND 95% RH

TEST SPECIFICATIONS

INDUCTANCE, NOMINAL: 0.25mH

CAPACITANCE @ 1kHz  
LINE TO GROUND, NOMINAL: 21nF  
LINE TO LINE, NOMINAL: 235nF

DISCHARGE RESISTOR

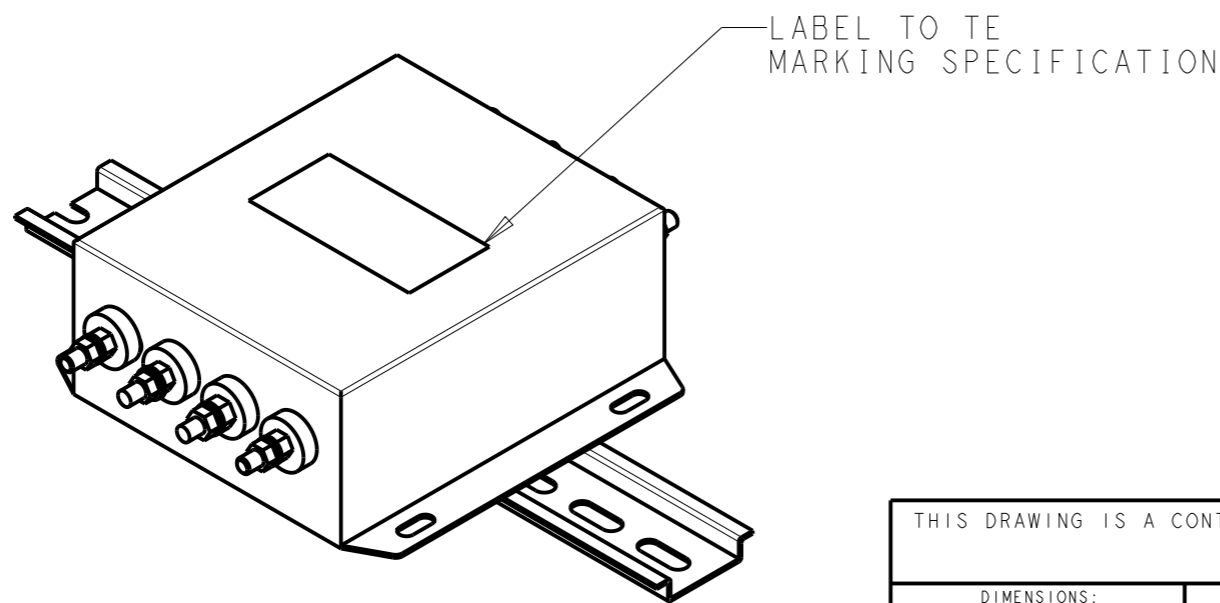
L/G I.R. 680KΩ 1W  
L/L I.R. 2MΩ 1W  
L/N I.R. XXX  
N/G I.R. XXX  
IR (NO DISCHARGE RESISTOR) 20°C, 50% RH AND 100VDC, MIN: 6MΩ

RECOMMENDED RECEIVING INSPECITON HIPOI

LINE TO GROUND FOR 1 MINUTE: 2856VDC  
LINE TO LINE FOR 1 MINUTE: 2236VDC

FILTER APPROVAL

THE BEST WAY TO SELECT AND QUALIFY A FILTER IS FOR YOUR ENGINEERING TO TEST THE UNIT IN YOUR EQUIPMENT.



THIS DRAWING IS A CONTROLLED DOCUMENT.		DWN SUPREETH R 05APR2021				
DIMENSIONS: mm		CHK CHRIS BOLLE 05APR2021				
TOLERANCES UNLESS OTHERWISE SPECIFIED:		APVD CHRIS BOLLE 05APR2021				
0 PLC ±- 1 PLC ±0.5 2 PLC ±0.40 3 PLC ±0.130 4 PLC ±0.0500 ANGLES ±-		PRODUCT SPEC -				
MATERIAL -		FINISH -	NAME POWER LINE FILTER FOR DIN 35 RAIL INSTALLATION 50KEBS6BFPDVM			
-		WEIGHT -	SIZE A3	CAGE CODE 00779	DRAWING NO C-7-1609965-4	RESTRICTED TO -
-		CUSTOMER DRAWING	SCALE 1:2	SHEET 1 OF 2	REV A	

© 2021 TE Connectivity. All Rights Reserved.

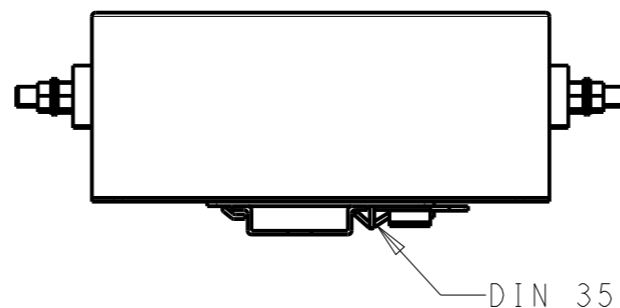
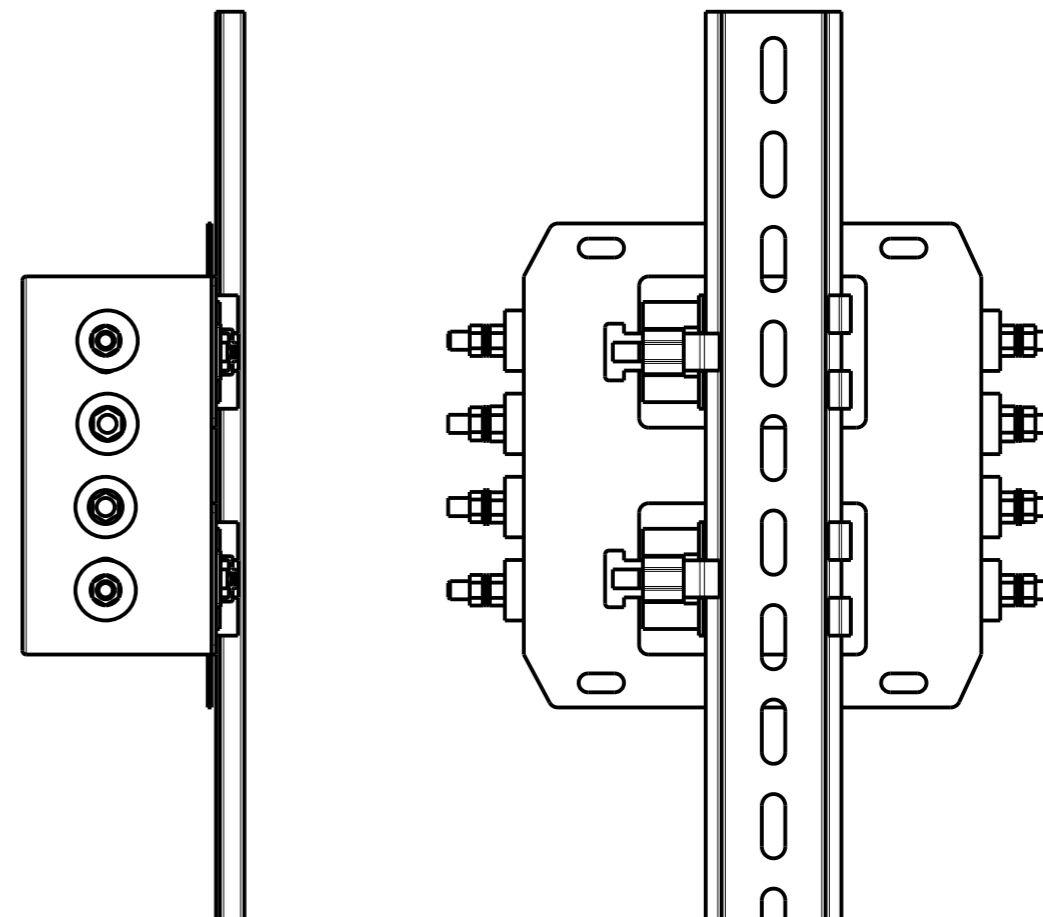
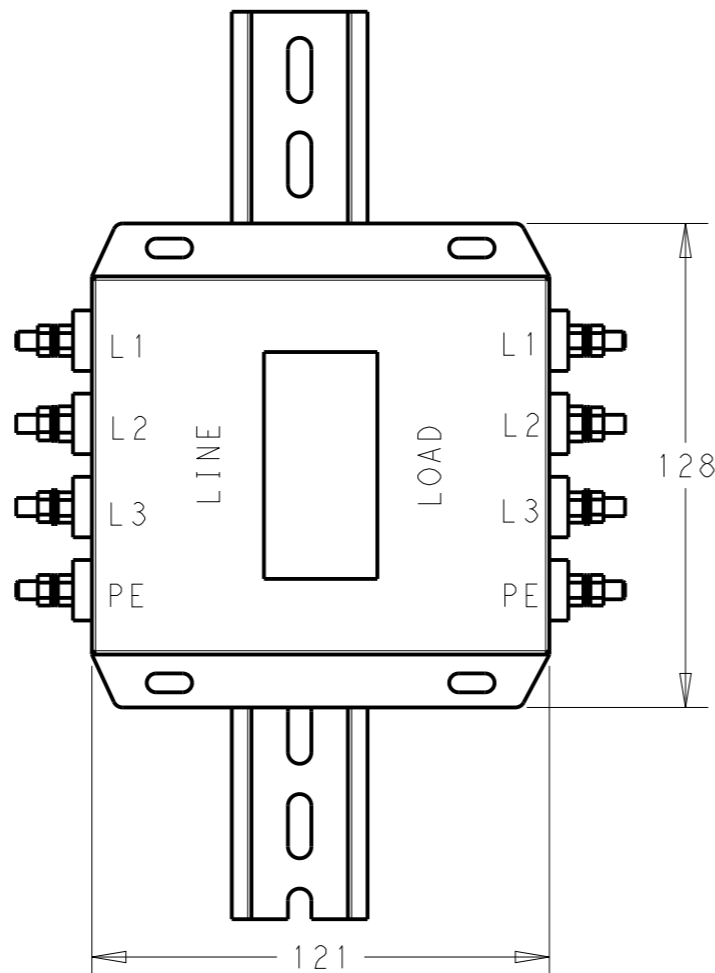
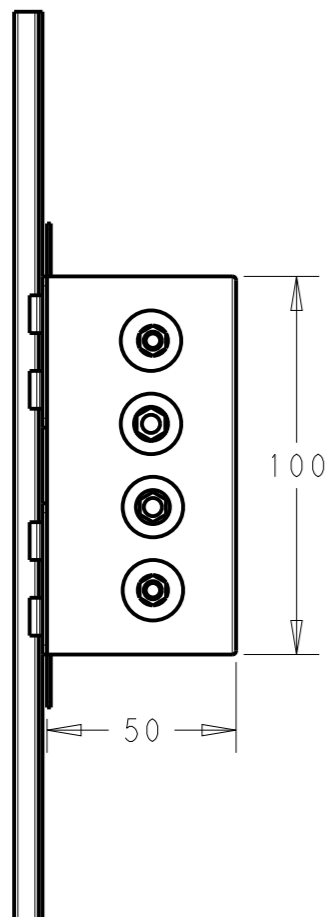
NOTE 1 GROUND CONNECTION:  
DO NOT LOOSEN INNER GROUND NUTS.  
TORQUE OUTER TERMINAL /GROUND NUTS: 2.5-3 Nm

NOTE 4 DRAWING SHOWS DIN RAIL FOR  
REFERENCE ONLY.

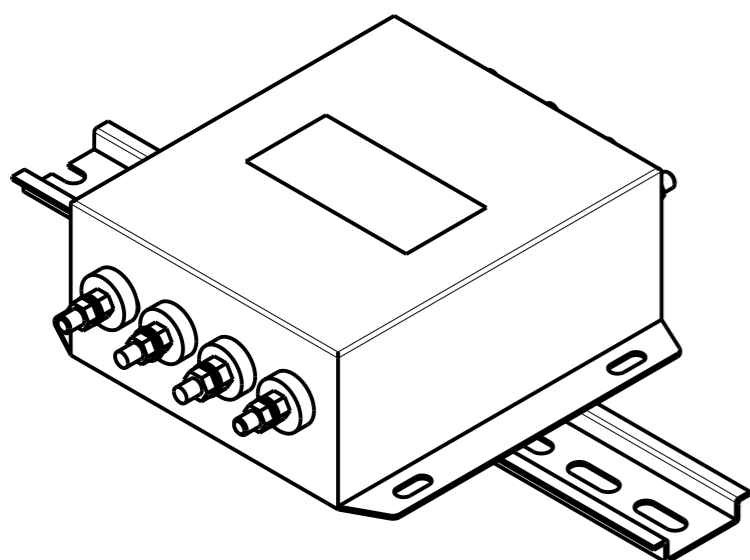
NOTE 2 INPUT OUTPUT CONNECTION TERMINAL  
AWG SIZE: XXX  
THREADED BOLT SIZE FOR TERMINAL: M6  
THREADED BOLT SIZE FOR GROUND: M6

NOTE 3 SUPPLIED WITH DIN RAIL BRACKET

REVISIONS					
P	LTR	DESCRIPTION	DATE	DWN	APVD
		SEE SHEET 1			



DIN 35



THIS DRAWING IS A CONTROLLED DOCUMENT.

DIMENSIONS:		TOLERANCES UNLESS OTHERWISE SPECIFIED:	
mm			
	0 PLC	±	
	1 PLC	±0.5	
	2 PLC	±0.40	
	3 PLC	±0.130	
	4 PLC	±0.0500	
	ANGLES	±	
MATERIAL	-	FINISH	-
	-		-

DWN	05APR2021
SUPREETH R	
CHK	05APR2021
CHRIS BOLLE	
APVD	05APR2021
CHRIS BOLLE	
PRODUCT SPEC	-
APPLICATION SPEC	-
WEIGHT	-
CUSTOMER DRAWING	

		NAME		RESTRICTED TO
		POWER LINE FILTER FOR DIN 35 RAIL INSTALLATION 50KEBS6BFPDVM		
SIZE	CAGE CODE	DRAWING NO		
A3	00779	C-7-1609965-4		
SCALE		SHEET	OF	REV
1:2		2	2	A