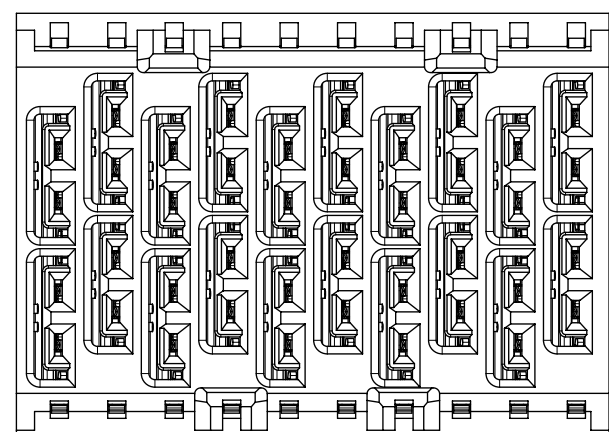
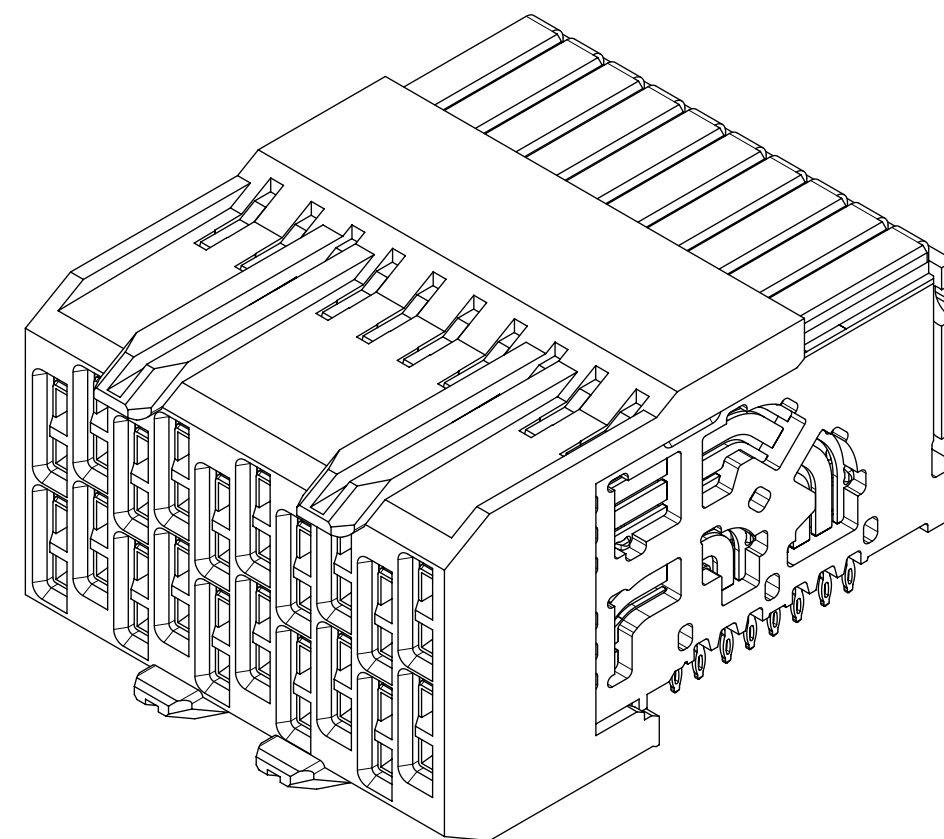
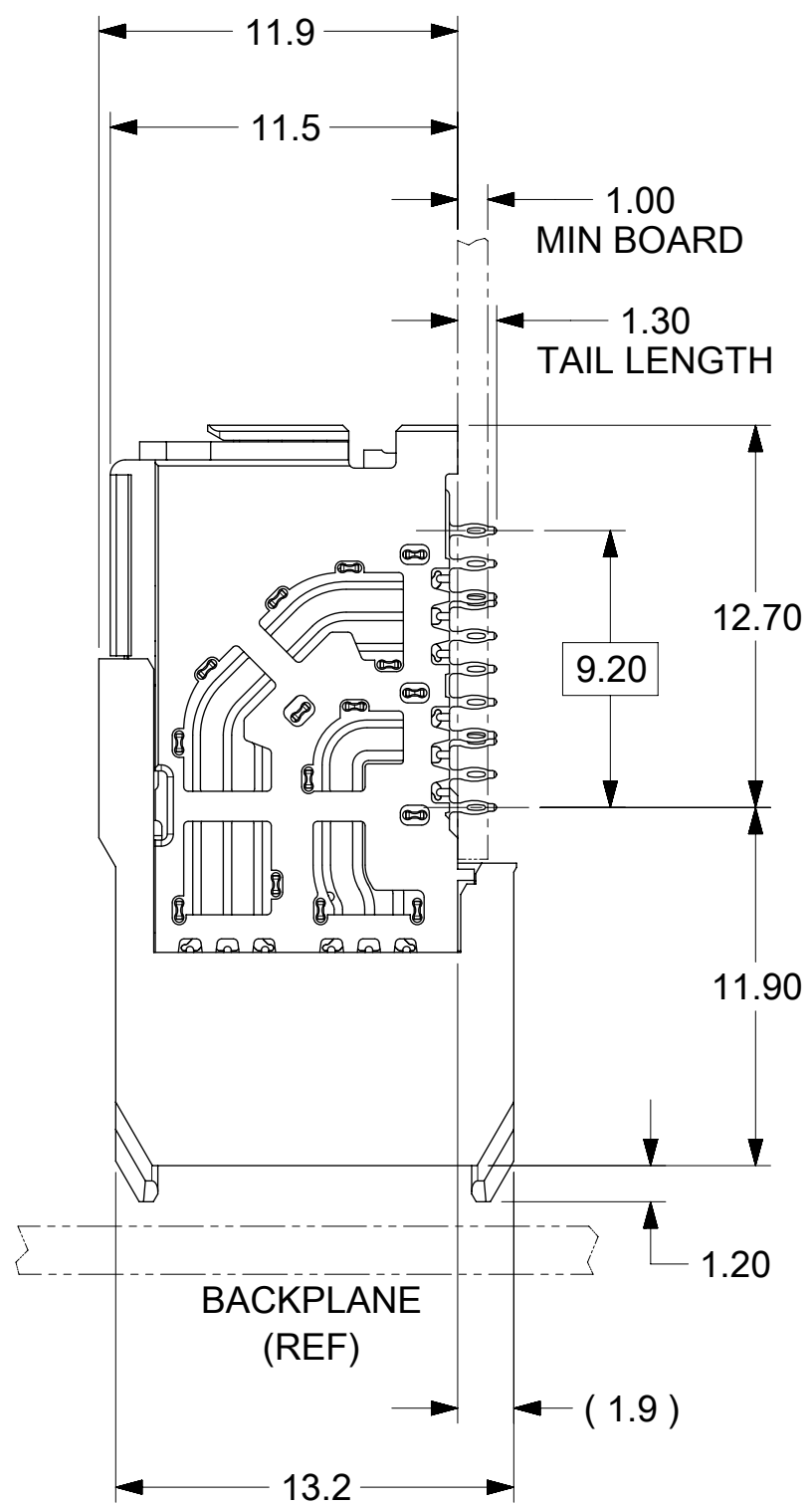
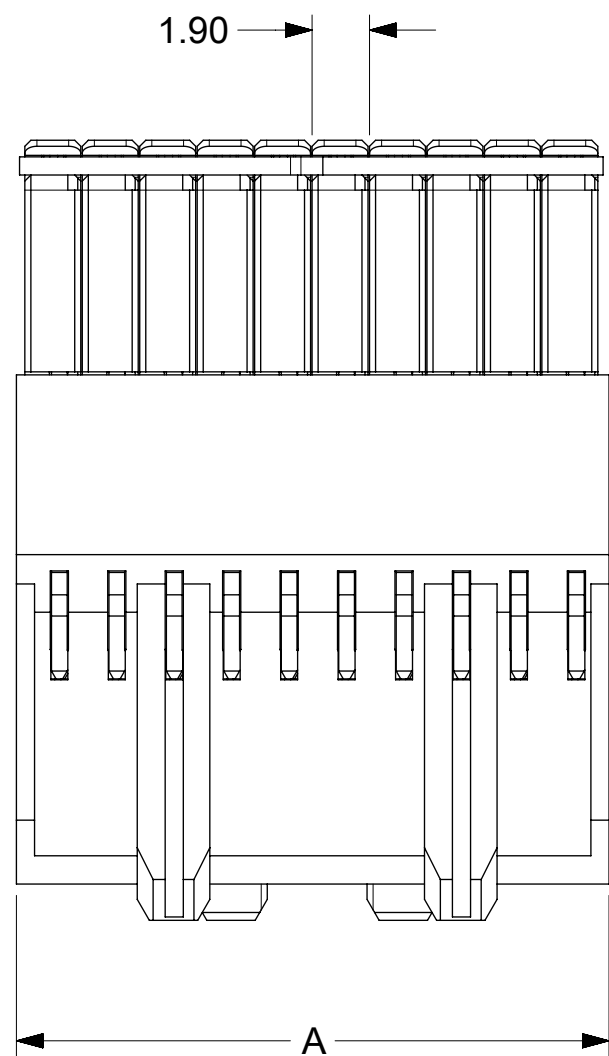


NOTES:

1. MATERIALS: HOUSING - LIQUID CRYSTAL POLYMER (LCP)
GLASS-FILLED, UL94V-0
TERMINALS - HIGH PERFORMANCE COPPER ALLOY
2. FINISH: 30uIN GOLD IN CONTACT AREA.
SELECTIVE TIN ON PCB TAILS.
NICKEL OVERALL.
3. REFER TO MOLEX PRODUCT SPECIFICATION PS-171320-999 FOR PERFORMANCE SPECIFICATIONS.
4. THIS PART CONFORMS TO CLASS B REQUIREMENTS OF MOLEX COSMETIC SPEC PS-45499-002.
5. PRODUCT WILL BE PACKAGED PER PK-78888-313.
6. SEE SHEET 2 FOR HOLE PATTERN DIMENSIONS.
7. MATES WITH IMPEL BP SERIES NUMBER 171745.
8. REFER TO IMPEL PCB ROUTING GUIDE AS-171320-990 FOR ANTI PAD, ROUTING RECOMMENDATIONS, AND ADDITIONAL PCB INFORMATION.
9. WHEN STACKING MODULES END TO END, THE MINIMUM COLUMN TO COLUMN HOLE SPACING IS 2.65mm.



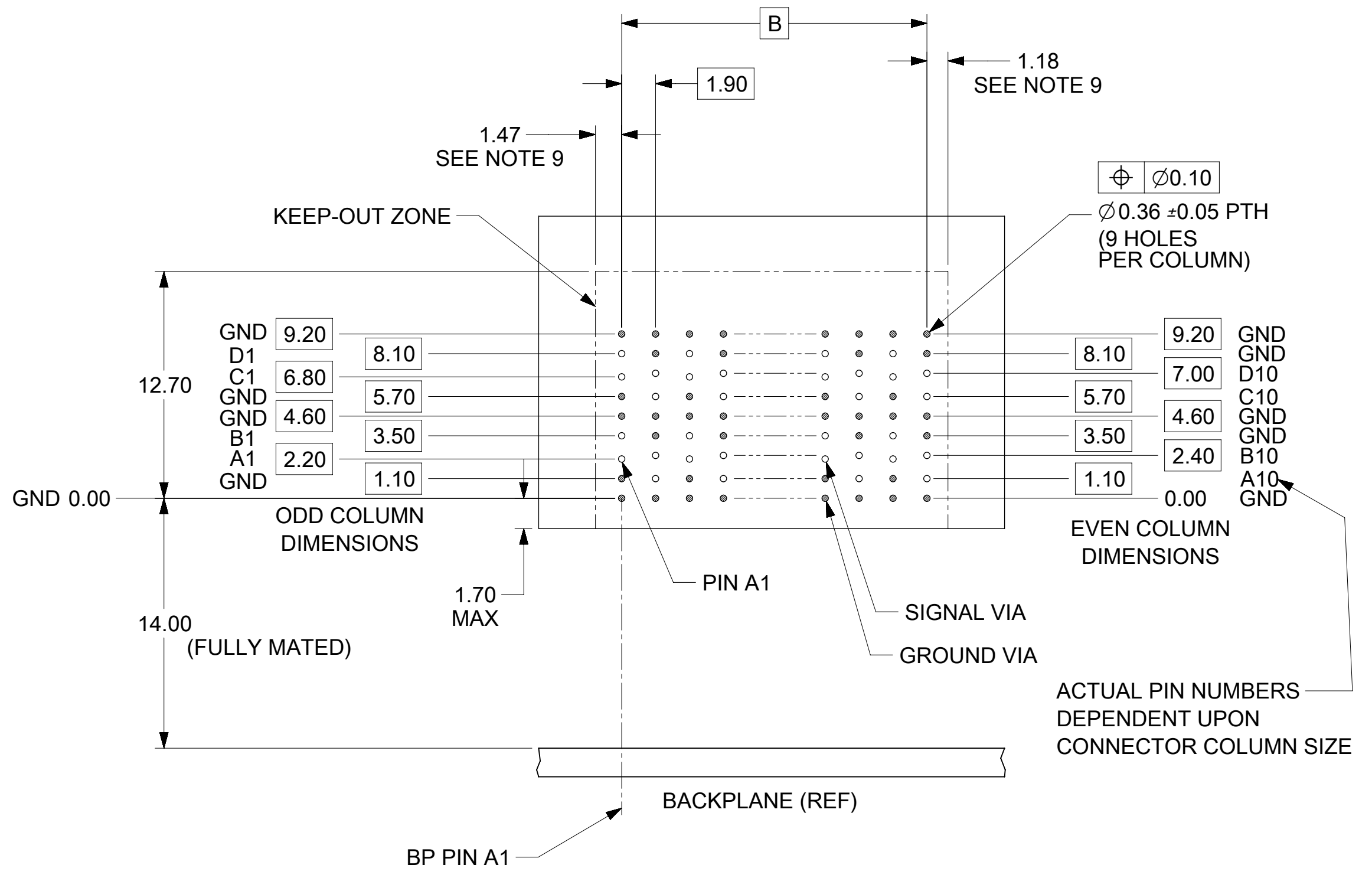
THIS DRAWING CONTAINS INFORMATION THAT IS PROPRIETARY TO MOLEX ELECTRONIC TECHNOLOGIES, LLC AND SHOULD NOT BE USED WITHOUT WRITTEN PERMISSION													
MIGRATED EC NO: 168431 DRWN: PKUMARG CHKD: CYLIAW REV / APPR: DWLE01	2017/07/25 2017/11/21 2017/12/27		GENERAL TOLERANCES (UNLESS SPECIFIED)			DIMENSION UNITS MM		SCALE 4:1		molex IMPEL DAUGHTERCARD ASSY 2 PAIR - 1.9MM PITCH UNGUIDED SALES DRAWING			
	ANGULAR TOL ± 0.5 °		4 PLACES ±			DRWN BY JLAURX		DATE 2012/12/05					
	3 PLACES ±		2 PLACES ± 0.13			CHKD BY CYLIAW		DATE		PRODUCT CUSTOMER DRAWING			
	2 PLACES ± 0.25		1 PLACE ±			APPR BY JBINGHAM		DATE 2014/12/18		SERIES 171750			
	0 PLACES ±		DRAFT WHERE APPLICABLE MUST REMAIN WITHIN DIMENSIONS			DRAWING SIZE C		THIRD ANGLE PROJECTION		MATERIAL NUMBER SEE CHART		CUSTOMER GENERAL MARKET	
	A2									DOCUMENT NUMBER SD-171750-0001		DOC TYPE PSD	
									DOC PART 001		SHEET NUMBER 1 OF 2		

MATERIAL NUMBER	NUMBER OF COLUMNS	NUMBER OF DIFF PAIR	DIM "A"	DIM "B"
171750-1038	8	16	15.95 MAX	13.30
171750-1020	10	20	19.75 MAX	17.10
171750-1022	12	24	23.55 MAX	20.90
171750-1024	14	28	27.35 MAX	24.70
171750-1026	16	32	31.15 MAX	28.50

171750-10**

MODULE TYPE
1 = UNGUIDED

COLUMN SIZE
38 = 8 COLUMN
20 = 10 COLUMN
22 = 12 COLUMN
24 = 14 COLUMN
26 = 16 COLUMN



DAUGHTERCARD HOLE PATTERN
(CONNECTOR SIDE)

THIS DRAWING CONTAINS INFORMATION THAT IS PROPRIETARY TO MOLEX ELECTRONIC TECHNOLOGIES, LLC AND SHOULD NOT BE USED WITHOUT WRITTEN PERMISSION

MIGRATED EC NO: 168431 DRWN: PKUMARG CHKD: CYLIAW REV / APPR: DWLE01	GENERAL TOLERANCES (UNLESS SPECIFIED)		DIMENSION UNITS	SCALE	molex
	ANGULAR TOL $\pm 0.5^\circ$		MM	4:1	
	4 PLACES \pm	DRWN BY	DATE		
	3 PLACES \pm	JLAURX	2012/12/05		
2 PLACES ± 0.13	CHKD BY	DATE		IMPEL DAUGHTERCARD ASSY 2 PAIR - 1.9MM PITCH UNGUIDED SALES DRAWING	
1 PLACE ± 0.25	CYLIAW		DATE		
0 PLACES \pm	APPR BY	DATE			
DRAFT WHERE APPLICABLE MUST REMAIN WITHIN DIMENSIONS		JBINGHAM	2014/12/18		
A2	C	THIRD ANGLE PROJECTION		SERIES	PRODUCT CUSTOMER DRAWING
		171750		MATERIAL NUMBER	GENERAL MARKET
		SEE CHART		CUSTOMER	
		SD-171750-0001		DOCUMENT NUMBER	PSD
		001		DOC PART	SHEET NUMBER
		2 OF 2			