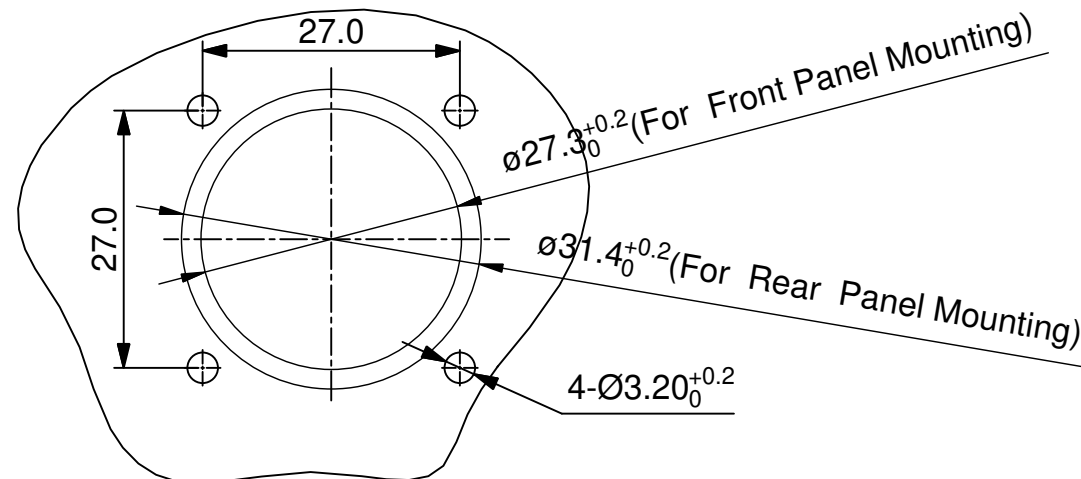
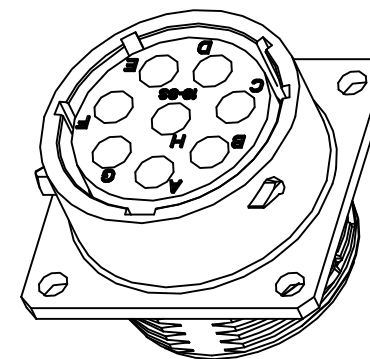
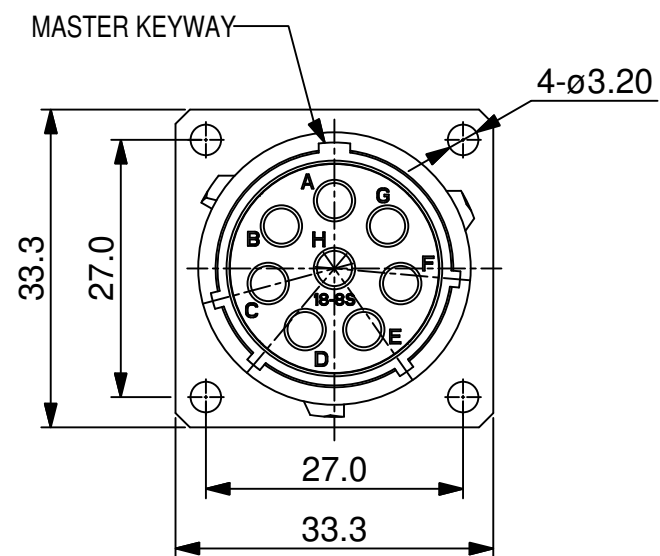
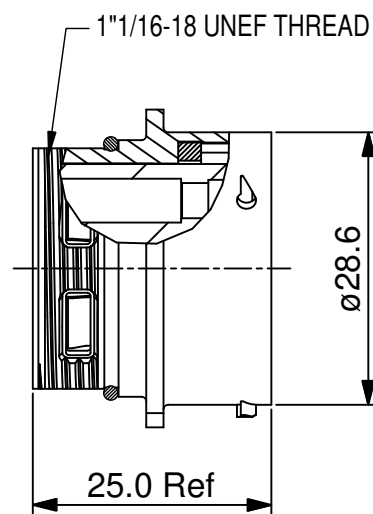


REVISIONS					
REV	ECO	DESCRIPTION	DATE	BY	APPR
B1	-	RELEASED DRAWING	AUG-08-2014	BEN	TOMMY



PANEL CUT OUT REFERENCE

KEY POS	PART NUMBER
N	RT00188SNH
W	RT00188SWH
X	RT00188SXH
Y	RT00188SYH
Z	RT00188SZH

NOTES : (UNLESS OTHERWISE SPECIFIED)

- MATERIAL :
SHELL : ZINC ALLOY , NICKEL PLATED.
INSERT : THERMOPLASTIC , UL94 V-0.
SEAL GASKET : NBR.
O-RING : NBR.
- SPECIFICATIONS :
2.1 RATED CURRENT : 23A (MAX).
2.2 RATED VOLTAGE : 375V (AC/DC).
2.3 OPERATING TEMPERATURE : -40°C ~ +105°C.
2.4 DIELECTRIC WITHSTANDING VOLTAGE : LESS THAN 2 MILLIAMPS CURRENT LEAKAGE@2000 VOLTS AC.
2.5 INSULATION RESISTANCE : 5000 MEGOHMS MIN.
2.6 IP--CLASS : IP67.
2.7 MATING CYCLES DURABILITY : 500 CYCLES MIN.
2.8 ROHS COMPLIANT.
- SUITABLE CONTACTS : 2.5mm CONTACTS.
- ALL DIMENSIONS ARE FOR REFERENCE USE ONLY.

QUANTITY	SEE PART NUMBER PART NUMBER	DESCRIPTION	ITEM								
MATERIALS LIST											
UNLESS OTHERWISE SPECIFIED 1) All dimensions are in metric (mm). 2) Tolerances are as follows: 1 PL DEC ±0.30 2 PL DEC ±0.15 3 PL DEC ±0.08 Fractions ±1/64 Angles ±1° 3) Note reference =		SIGNATURES DRAWN: BEN CHECKED: ENGINEER: APPROVAL:	DATE AUG-08-2014								
MATERIAL SPECIFICATIONS:		<p style="text-align: center;">Amphenol</p> <p>Sine Systems - www.amphenol-sine.com 44724 Morley Drive Clinton Township, MI 48036</p> <p style="text-align: center;">ECO-MATE, RECEPTACLE, SIZE 18,8POS, SOCKET.</p>									
PROCESS SPECIFICATIONS:											
NEXT ASSY:		CUSTOMER: THIS DRAWING IS SUPPLIED FOR INFORMATION ONLY. DESIGN FEATURES, SPECIFICATIONS AND PERFORMANCE DATA SHOWN HEREON ARE THE PROPERTY OF THE AMPHENOL CORPORATION. NO RIGHTS OF REPRODUCTION ARE IMPLIED. ALL DIMENSIONS ARE SUBJECT TO NORMAL MANUFACTURING VARIATIONS.	<table border="1"> <tr> <td>SIZE</td> <td>TYPE</td> <td>DWG NO:</td> <td>REVISION</td> </tr> <tr> <td>B</td> <td>C-</td> <td>RT00188S*H</td> <td>B1</td> </tr> </table>	SIZE	TYPE	DWG NO:	REVISION	B	C-	RT00188S*H	B1
SIZE	TYPE	DWG NO:	REVISION								
B	C-	RT00188S*H	B1								
SCALE: NONE		SHEET 1 OF 1									

TITLE: ECO-MATE RECEPTACLE SIZE 18,8POS, SOCKET. DWG NO: RT00188S*H REV: B1 SH: 1 OF: 1

ecomate® RM/RSSM/Aquarius™ - Contact Size 12 Options

Crimp Contacts, Machined				
Part Number		AWG	Wire Range (mm ²)	Plating
Male	Female			
N/A				

Tooling, Machined	
Part Number	Description
N/A	N/A
N/A	N/A

Plating Options, All	
Symbol	Plating
N/A	N/A

Crimp Contacts, Stamped & Formed				
Part Number		AWG	Wire Range (mm ²)	Plating
Male	Female			
SP12A1T	SS12A1T	14-12	2.5-3.5	Tin

Tooling, Stamped & Formed	
Part Number	Description
QXRT12S	Contact Extraction Tool, 2.5mm Contact
MFV-3962	Hand Tool, Stamped & Formed Contact, 2.5mm Contact

Misc Tooling, All	
Part Number	Description
CA-4012-59	Sealing Plug, Size 12

Standard Quantity Order Options	
Machined	Stamped & Formed
N/A	Reel, 1000 Pieces

ecomate® RM/RSSM - Contact Size 12, PC Tail Options

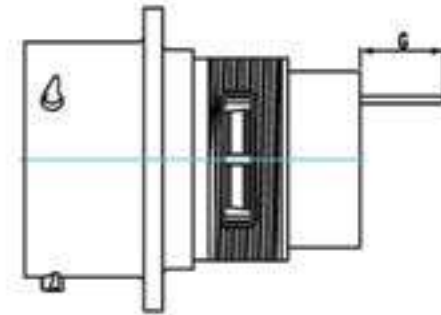
Machined, PC Tail Contacts				
Part Number		AWG	Description	Plating
Male	Female			
MP10B12E05F	MS10B12E05F	2.5 mm	Short Version	Gold Flash
MP10B12E05G5	MS10B12E05G5	2.5 mm	Short Version	Gold 5µ"
MP10B12E05G10	MS10B12E05G10	2.5 mm	Short Version	Gold 10µ"
MP10B12E05G15	MS10B12E05G15	2.5 mm	Short Version	Gold 15µ"
MP10B12E05G30	MS10B12E05G30	2.5 mm	Short Version	Gold 30µ"
MP10B12E08F	MS10B12E08F	2.5 mm	Long Version	Gold Flash
MP10B12E08G5	MS10B12E08G5	2.5 mm	Long Version	Gold 5µ"
MP10B12E08G10	MS10B12E08G10	2.5 mm	Long Version	Gold 10µ"
MP10B12E08G15	MS10B12E08G15	2.5 mm	Long Version	Gold 15µ"
MP10B12E08G30	MS10B12E08G30	2.5 mm	Long Version	Gold 30µ"

Stamped & Formed, PC Tail Contacts				
Part Number		AWG	Description	Plating
Male	Female			
		N/A		
		N/A		
		N/A		
		N/A		
		N/A		
		N/A		
		N/A		
		N/A		
		N/A		
		N/A		

PCB Contact Dimensions - Nominal Length G (Size 20 PC Tail dimensions for ecomate® RM and ecomate® RSSM connectors only.)						
Shell Size	Pin Contact					
	MP20W12E06xx	MP20W12E09xx	MP16M12E04xx	MP16M12E06xx	MP10B12E05xx	MP10B12E08xx
10	4.0mm	9.5mm	4.0mm	8.0mm	-	-
12	4.0mm	9.5mm	4.0mm	8.0mm	5.0mm	-
14	4.0mm	9.5mm	4.0mm	8.0mm	5.2mm	-
16	4.0mm	9.5mm	4.0mm	8.0mm	-	-
18	-	9.5mm	4.0mm	8.0mm	-	-
20	-	9.5mm	4.0mm	8.0mm	-	-
24	-	-	-	3.9mm	-	-

Shell Size	Socket Contact					
	MP20W12E06xx	MP20W12E09xx	MP16M12E04xx	MP16M12E06xx	MP10B12E05xx	MP10B12E08xx
10	3.3mm	8.5mm	2.4mm	3.0mm	-	-
12	3.3mm	8.5mm	2.4mm	3.0mm	-	-
14	3.3mm	8.5mm	2.4mm	3.0mm	-	-
16	3.3mm	8.5mm	2.4mm	3.0mm	-	-
18	--	8.5mm	2.4mm	-	-	-
20	--	8.5mm	2.4mm	-	-	-
24	-	-	-	-	-	-

Standard Quantity Order Options	
Machined	Stamped & Formed
Bulk Package, 500 Pieces	N/A



NOTE: For ecomate® Aquarius™ PC Tail options, see our [ecomate® Aquarius™ PCB Mount Jam Nut Receptacles Flyer](#) online at www.amphenol-sine.com.