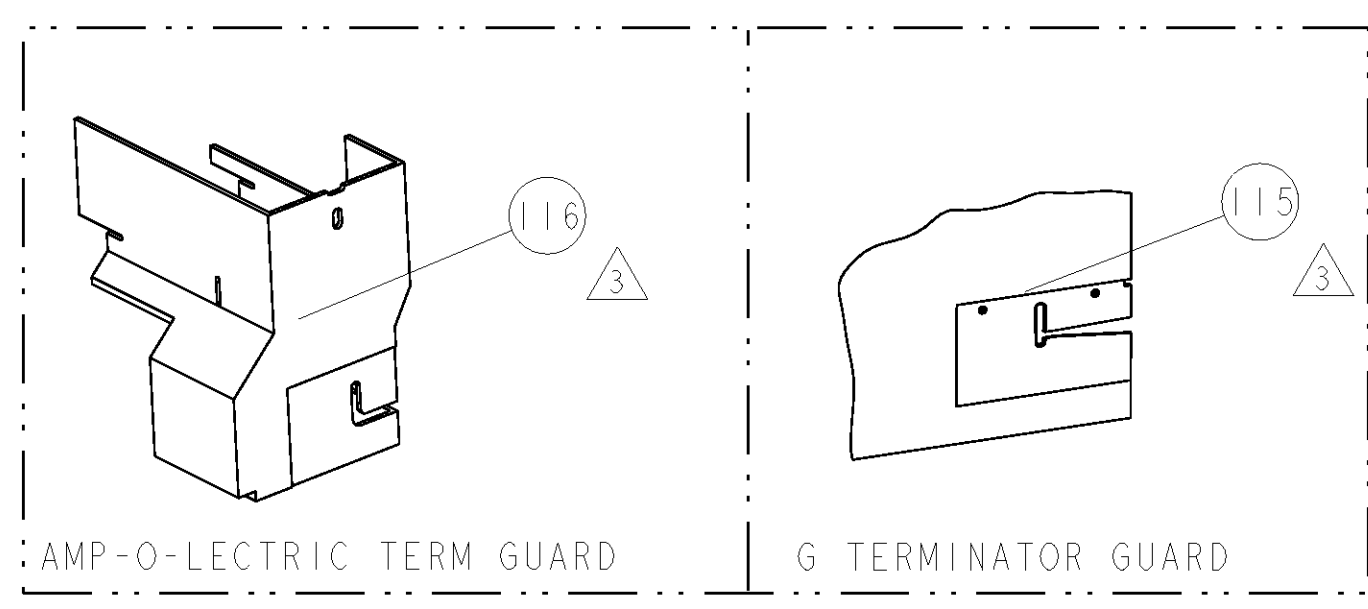


PART NUMBER	REV	FIRST USED	POWER UNIT	FEED TYPE	DESCRIPTION
1855527-1	B	122500-1	LEADMAKER	POST FEED	CUTS CARRIER
1855527-2	B	565435-5	BENCH MODEL K	PRE FEED	CUTS CARRIER
1855527-3	B	354500-1	BENCH MODEL G	PRE FEED	CUTS CARRIER
1855527-6	B	122500-1	LEADMAKER	POST FEED	CONTINUOUS CARRIER
7-1855527-7	B	-	-	-	SPARE PARTS

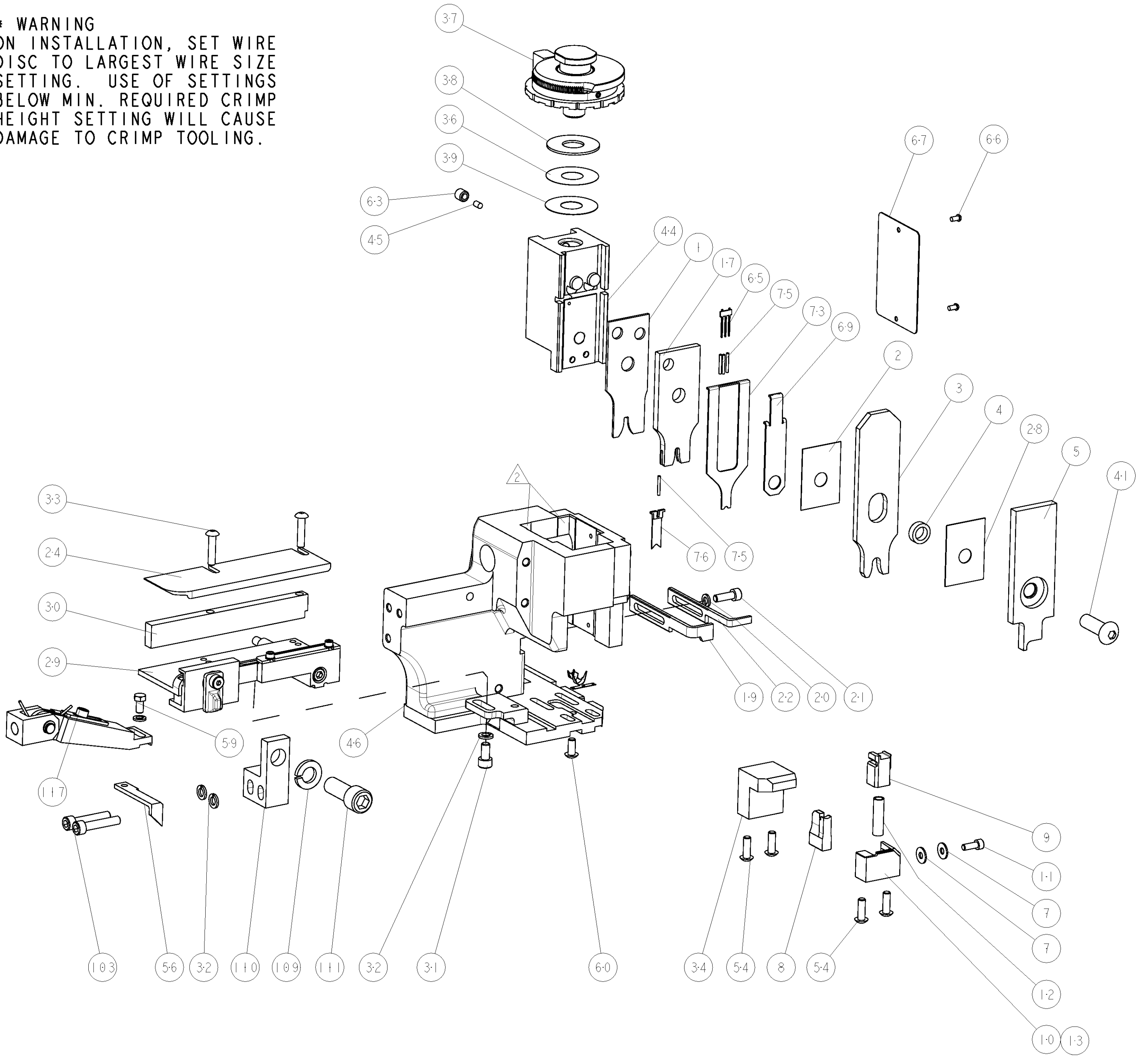
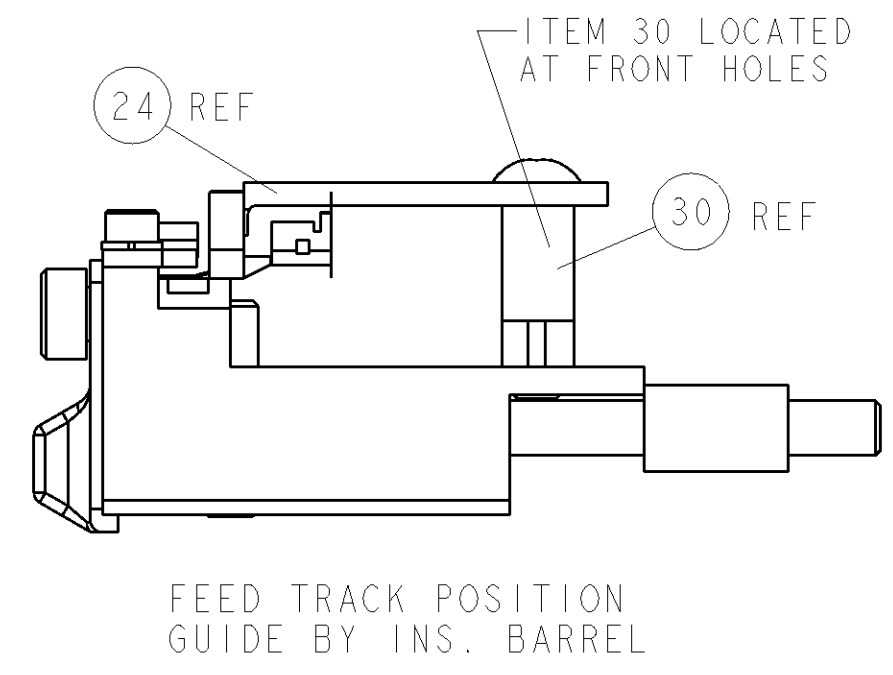


TE PN		TE TERMINAL - TE CRIMP SPECS		REF SETTING
1987984	-	CRIMP HEIGHT		A6
-	-	WIRE SIZE		D6
-	-	2.39mm+ .05/- .05 [.094+ .002/- .002]	10AWG or 6mm2	-
-	-	1.88mm+ .05/- .05 [.074+ .002/- .002]	12AWG or 4mm2	-
CRIMP	SIZE	TYPE	RANGE	
WIRE	3.05mm [.120]	F	10-12 AWG	
STABL	3.05mm [.120]	O	10-12 AWG	
INSUL	6.60mm [.260]	O	Ø 4.35 - Ø 6.4	
WIRE STRIP LENGTH	3.81-7.62	TERM APPL SPEC	114-18022	FEED
				16.00
		APPLICATOR INSTRUCTIONS		SET UP GAGE
		408-8040		458637-1

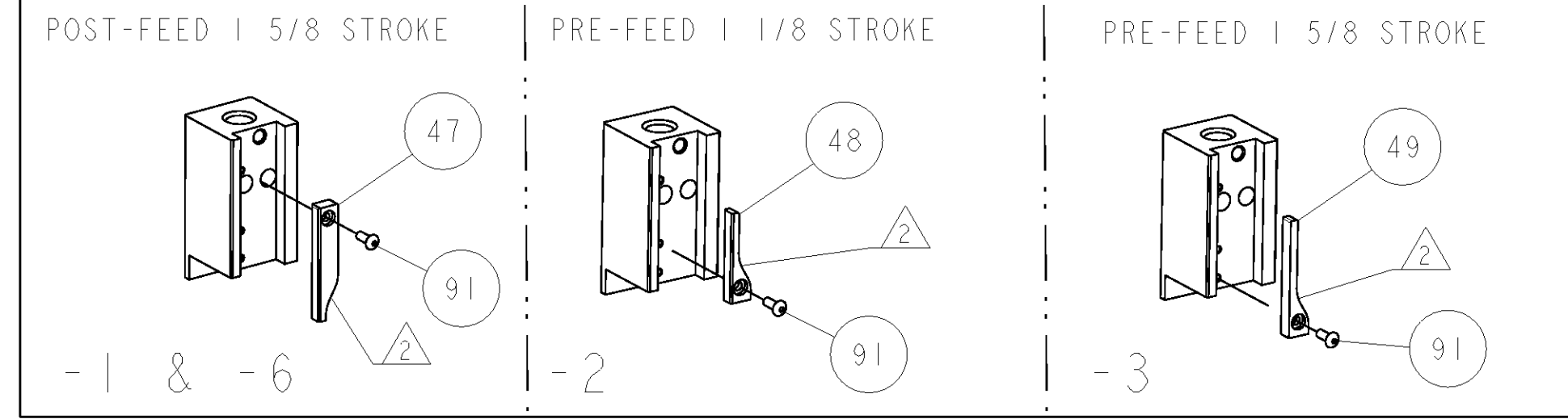
LOC	DIST	REV	DESCRIPTION	DATE	DWN	APVD
A	66	2	REVISED DURING FTB	01OCT2009	BK	GB
		3	PRE BUILD CHANGES	19NOV2009	BH	BH
		A	RELEASED	30MAR2010	BH	BH
		B	ECR-10-008779	26APR2010	LG	GB

- △ RECOMMENDED SPARE PARTS
- △ GREASE LIGHTLY
- △ GUARD MUST BE IN PLACE WHEN OPERATING APPLICATOR IN A BENCH MACHINE

*** WARNING**
ON INSTALLATION, SET WIRE DISC TO LARGEST WIRE SIZE SETTING. USE OF SETTINGS BELOW MIN. REQUIRED CRIMP HEIGHT SETTING WILL CAUSE DAMAGE TO CRIMP TOOLING.



△	-	1	1	1	1	-	461062-1	FEED FINGER ASSEMBLY	117
△	-	-	-	REF	-	..	455749-1	GUARD WINDOW	116
△	-	-	-	REF	-	..	679532-1	INSERT, GUARD	115
	-	1	1	1	1	-	3-21001-5	SCR, SKT HD CAP 3/8-16 X 1.000	111
	-	1	1	1	1	-	459610-1	MOUNT, FEED BRACKET	110
	-	1	1	1	1	-	21024-8	WASHER, SPRG LOCK, REG 3/8	109
	-	1	1	1	1	-	692655-7	AIR FEED VALVE ASSEMBLY	108
	-	-	-	-	-	-	692655-5	AIR FEED VALVE ASSEMBLY	105
	-	1	1	1	1	-	461065-1	ASSEMBLY, AIR FEED	104
	-	2	2	2	2	-	3-21000-9	SCR, SKT HD CAP 10-32 X 1.000	103
	-	1	1	1	1	-	1-21002-7	SCR, BTN SKT HD CAP 6-32 X .375	91
	-	1	1	1	1	-	1338469-2	DEPRESSOR, WIRE	76
	-	4	4	4	4	-	2-23147-2	SPRING, COMPRESSION	75
	-	1	1	1	1	-	1490525-2	DEPRESSOR, WIRE	73
	-	1	1	1	1	-	4088040	SF APPL INST 408-8040	72
	-	1	1	1	1	-	217238-1	GENERAL INSTRUCTION PKG	71
	-	1	1	1	1	-	1490524-2	DEPRESSOR, SPACER	69
	-	1	1	1	1	-	461264-5	PLATE, IDENTIFICATION	67
	-	2	2	2	2	-	21017-2	SCREW, DRIVE	66
	-	1	1	1	1	-	1424350-1	HOLDER, PIN, WIRED	65
	-	1	1	1	1	-	21009-2	SCR, SET, SELF LOCKING 1/4-20 X .250	63
	-	1	1	1	1	-	22733-8	SCR, BHSC, SELF-LOCKING, 8-32 X .375	60
	-	1	1	1	1	-	2-22603-0	SCREW, MACH, HEX HD, 8-32 X .312	59
	-	1	1	1	1	-	458537-2	PAWL, FEED	56
	-	4	4	4	4	-	2-21002-2	SCR, BTN SKT HD CAP 8-32 X .500	54
	-	-	-	-	-	..	690602-6	CAM, PRE FEED, 1 5/8	49
	-	-	-	-	-	..	690602-5	CAM, PRE FEED, 1 1/8	48
	-	1	1	1	1	-	690501-4	CAM, POST-FEED 1 5/8	47
	-	1	1	1	1	-	2-1633399-0	APPL. . BASIC AIR FEED SUB ASSY	46
	-	1	1	1	1	-	690191-1	PLUG, NYLON	45
	-	1	1	1	1	-	2-819307-9	RAM, SIDE FEED	44
	-	1	1	1	1	-	7-21002-9	SCR, BTN SKT HD CAP 5/16-24 X 1.00	41
	-	1	1	1	1	-	690125-1	SHIM SUB-ASSY	39
	-	1	1	1	1	-	1-469367-1	SHIM	38
	-	1	1	1	1	-	879103-3	FINE ADJUST HEAD ASSEMBLY	37
	-	1	1	1	1	-	469367-2	SHIM	36
	-	1	1	1	1	-	1633912-1	WIRE STOP	34
	-	2	2	2	2	-	2-21002-4	SCR, BTN SKT HD CAP 8-32 X .750	33
	-	3	3	3	3	-	21024-5	WASHER, SPRG LOCK, REG NO 10	32
	-	1	1	1	1	-	3-21000-4	SCR, SKT HD CAP 10-32 X .375	31
	-	1	1	1	1	-	1320908-3	SPACER, STRIP GUIDE	30
	-	1	1	1	1	-	1633091-1	ASSEMBLY, STRIP GUIDE	29
	-	1	1	1	1	-	455888-4	SPACER, CRIMPER	28
	-	1	1	1	1	-	1320928-1	PLATE, STRIP GUIDE	24
	-	1	1	1	1	-	690472-2	STRIPPER	22
	-	1	1	1	1	-	2-21000-7	SCR, SKT HD CAP 8-32 X .500	21
	-	2	2	2	2	-	21024-4	WASHER, SPRG LOCK, REG NO 8	20
	-	-	-	-	-	..	691353-1	STRIPPER	19
	-	1	1	1	1	-	1633872-1	CRIMPER, WIRE O	17
△	-	1	1	1	1	-	679625-2	SHEAR HOLDER, FRONT (NO CUT)	13
	-	1	1	1	1	-	3-22280-3	SPRING, COMPRESSION	12
	-	1	1	1	1	-	1-21000-9	SCR, SKT HD CAP 6-32 X .375	11
△	-	-	-	-	-	..	1-690459-0	SHEAR HOLDER, FRONT	10
△	-	1	1	1	1	-	454276-5	FLOATING SHEAR, FRONT	9
△	1	1	1	1	1	-	1633913-1	ANVIL, COMBINATION	8
	-	2	2	2	2	-	21055-5	WASHER, FLAT, REG NO 6	7
	-	1	1	1	1	-	3-455889-8	DEPRESSOR, SHEAR	5
	-	1	1	1	1	-	238011-1	BLOCK, CRIMPER SPACER	4
△	1	1	1	1	1	-	3-456135-4	CRIMPER, INSULATION O PREMIUM	3
	-	1	1	1	1	-	455888-3	SPACER, CRIMPER	2
△	1	1	1	1	1	-	3-1752057-3	CRIMPER, WIRE PREMIUM, STEPPED	1



DIMENSIONS:		TOLERANCES UNLESS OTHERWISE SPECIFIED:		MATERIAL:		FINISH:		WEIGHT:		CUSTOMER ACCESSIBLE PRODUCTION DRAWING	
INCHES	9 PLC ±.01	10 PLC ±.01	11 PLC ±.01	12 PLC ±.01	13 PLC ±.01	14 PLC ±.01	15 ANGLE ±.0001				
SCALE		3:5		SHEET		1		OF		REV	
SCALE		3:5		SHEET		1		OF		REV	