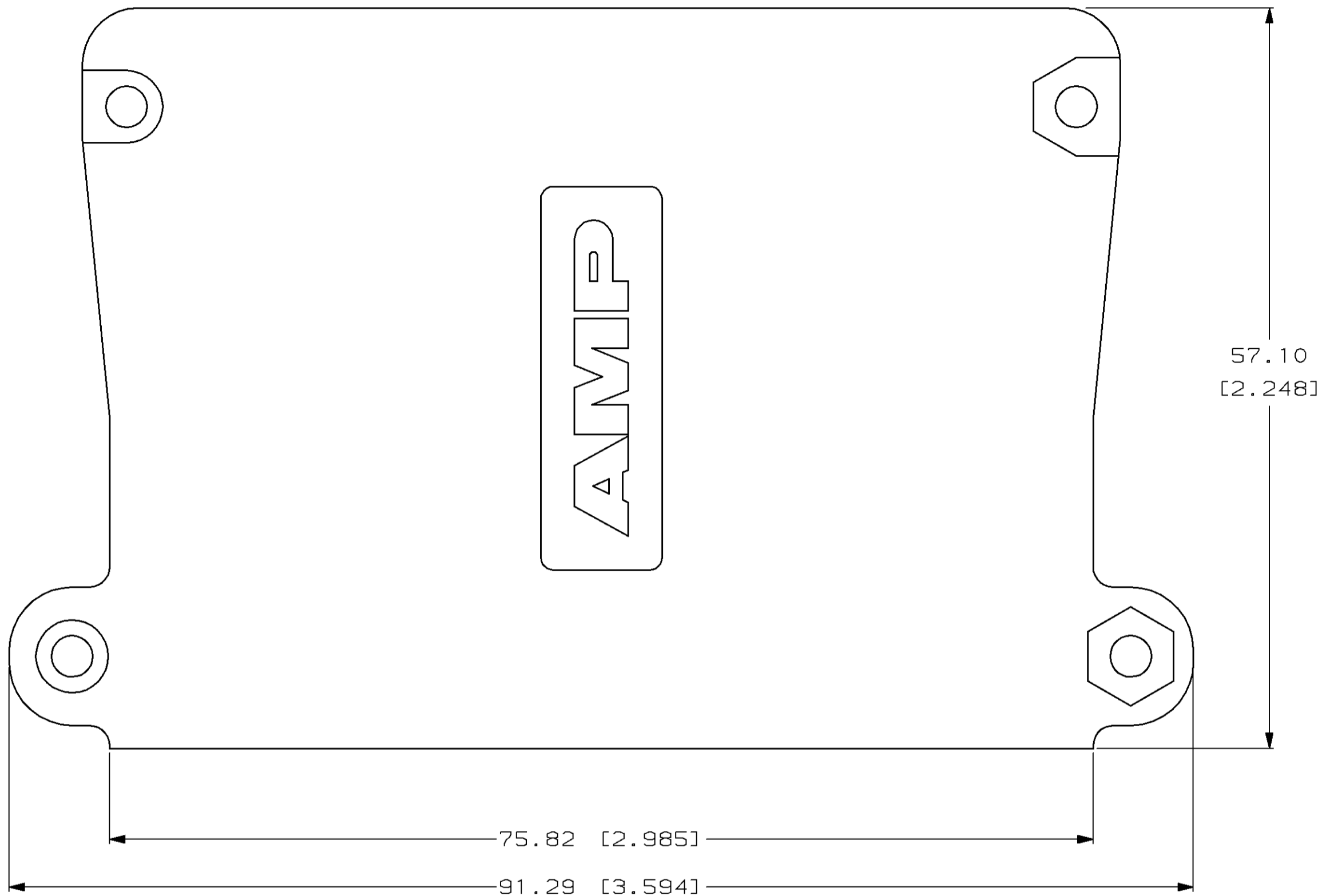
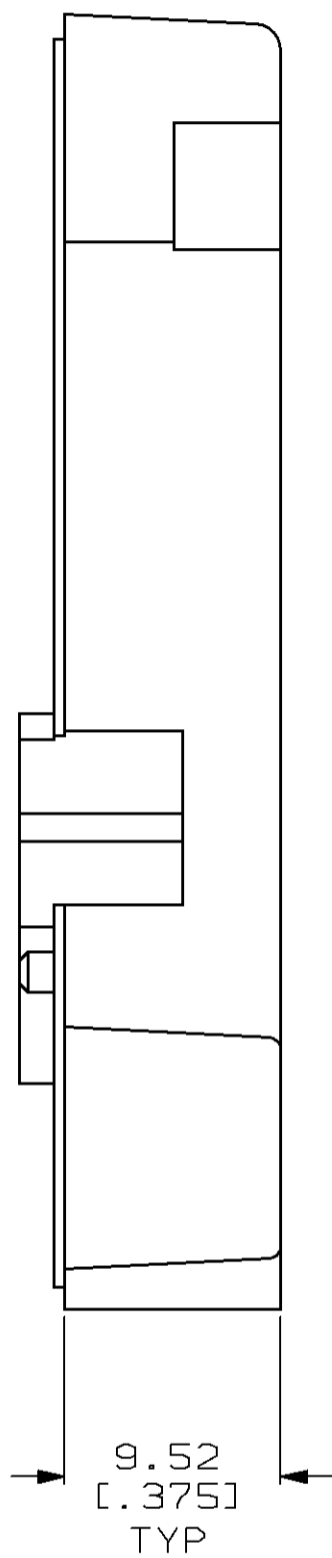
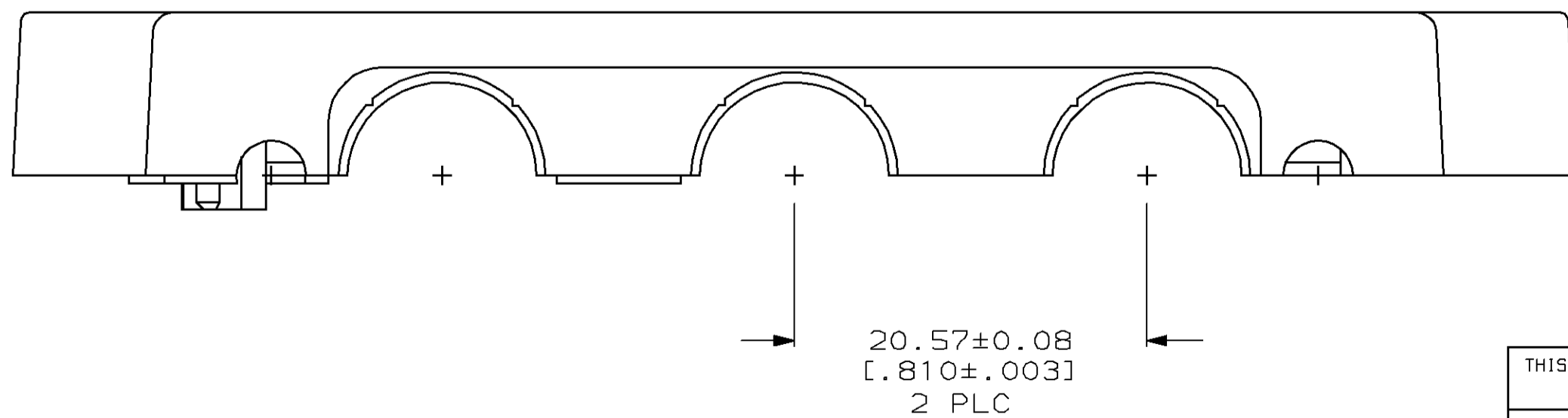


THIS DRAWING IS UNPUBLISHED. RELEASED FOR PUBLICATION  
 BY AMP INCORPORATED. ALL RIGHTS RESERVED.

LOC	DIST	REVISIONS			
P	LTR	DESCRIPTION	DATE	DWN	APVD
FT	38	0	RELEASED	27 MAY 97	-



△ BRIGHT NICKEL OVER BRIGHT COPPER.



788091-2  
PART NUMBER

THIS DRAWING IS A CONTROLLED DOCUMENT.		DWN W.G.LENKER 27 MAY 97	AMP Incorporated Harrisburg, PA 17105-3608	
DIMENSIONS: mm [INCH]		CHK R.STONE 27 MAY 97	NAME G.D.MILLER	
TOLERANCES UNLESS OTHERWISE SPECIFIED:		APVD G.D.MILLER 29 MAY 97	PRODUCT SPEC 108-40032-1	
0 PLC ±-		APPLICATION SPEC		
1 PLC ±-		SIZE A2		
2 PLC ±0.13 [.005]		CAGE CODE 00779		
3 PLC ±-		DRAWING NO C=788091		
4 PLC ±-		RESTRICTED TO		
ANGLES ±-		SCALE 3:1		
FINISH △		SHEET 1 OF 1		
MATERIAL ABS		REV 0		
CUSTOMER DRAWING		SCALE 3:1		

168091

788091