

MT2

2 WATT DC/DC CONVERTER, SINGLE & MULTIPLE OUTPUTS



ELECTRICAL SPECIFICATIONS

All specifications are typical at nominal input, full load

INPUT SPECIFICATIONS

Input Voltage..... ± 5%
Input Filter..... PI-Network

OUTPUT SPECIFICATIONS

Output Voltage Accuracy..... ±5%
Efficiency..... 60% typ.
Over-Current Protection..... Built-in (Automatic Recovery)
Ripple 120 mVp-p (DC to 100MHZ)
Line Regulation..... ±0.5%
Line Filter..... Built-in
Load Regulation..... ±1.0% max. (Load Rate 0% ~ 100%)
Spike Noise (DC to 100 MHz)..... Input 150 mVp-p max.
Output 70 mVp-p max.

FEATURES

- ▶ **FULL SMD DESIGN WITH CERAMIC CAPACITORS**
- ▶ **5 SIDED METAL CASE**
- ▶ **EXTREMELY RELIABLE**
- ▶ **INTERNAL EMI FILTER**
- ▶ **LOW OUTPUT RIPPLE AND NOISE**
- ▶ **SHORT CIRCUIT PROTECTION**
- ▶ **DIRECT PCB-SOLDERING**
- ▶ **INDUSTRY STANDARD PINOUT (IC-24P)**
- ▶ **LOW PROFILE, 10mm (0.39") HEIGHT**
- ▶ **FIVE YEAR WARRANTY**

GENERAL SPECIFICATIONS

Isolation Voltage
Primary to Secondary..... DC 500V/ 1min. 5mA
Primary to Case..... DC 500V/ 1min. 5mA
Secondary to Case..... DC 500V/ 1min. 5mA
MTBF..... >1,000,000 hours
Isolation Resistance..... INPUT-OUTPUT-CASE 50M-ohms min.
(Measured at 500 VDC)

ENVIRONMENTAL SPECIFICATIONS

Operating Temperature -25 ~ +75°C
Temperature Coefficient..... ±0.05%/ °C
Humidity..... 30%~95% RH
Storage Temperature..... -25°C ~ +85°C

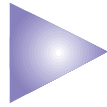
EMI

Complies with: **CISPR CLASS A**

PHYSICAL SPECIFICATIONS

Case Material.....Nickel-Plated Steel
Dual In-Line Pin Configuration

Series



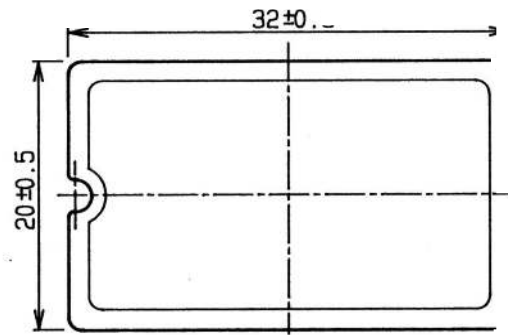
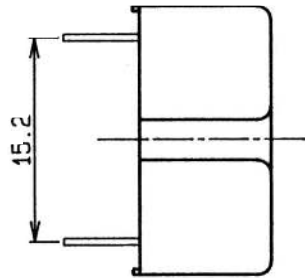
MODEL	INPUT VOLTAGE	OUTPUT VOLTAGE	OUTPUT CURRENT
MT2-0505SI	5 VDC (4.5 ~ 5.5V)	5 VDC	400mA
MT2-0512SI		12 VDC	160mA
MT2-0515SI		15 VDC	130mA
MT2-0512WI		-12 VDC	-80mA
MT2-0515WI		-15 VDC	-65mA
MT2-1205SI	12 VDC (9 ~ 18V)	5 VDC	400mA
MT2-1212SI		12 VDC	160mA
MT2-1212WI		-12 VDC	-80mA
MT2-1215WI		-15 VDC	-65mA
MT2-2405SI	24 VDC (18 ~ 36V)	5 VDC	400mA
MT2-2412SI		12 VDC	160mA
MT2-2412WI		-12 VDC	-80mA
MT2-2415WI		-15 VDC	-65mA

TYPE A: SINGLE OUTPUT

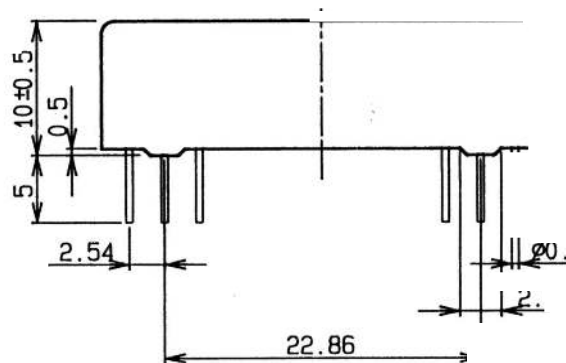
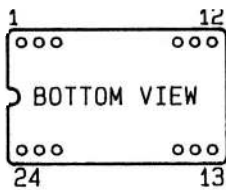
1, 24	INPUT + V
12, 13	INPUT - V
11, 14	OUTPUT + V
10, 15	OUTPUT - V
2, 23	NC
3, 22	NC

TYPE A: DUAL OUTPUT

1, 24	INPUT + V
12, 13	INPUT - V
11, 14	OUTPUT1 + V
10, 15	OUTPUT1 - V
2, 23	OUTPUT2 + V
3, 22	OUTPUT2 - V



PIN LOCATION



NOTE:

All specifications typical and nominal / full load and 25°C unless otherwise noted.
 Avoid sustained operation in overload or dead short conditions.
 Specifications subject to changes without notice.

• Dimensions in mm

