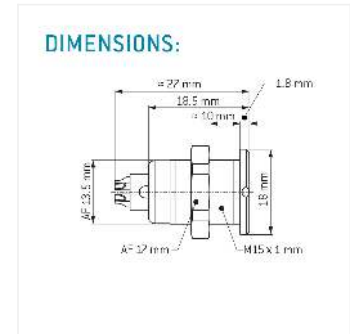
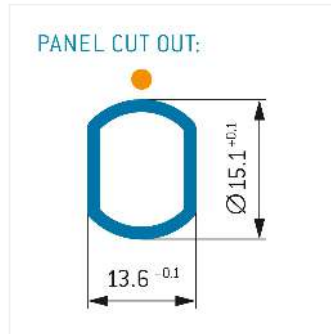
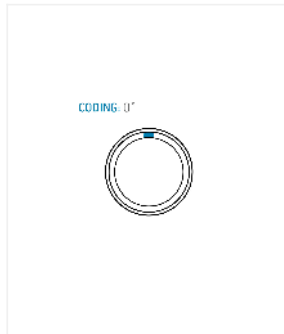


## General information

Part number	G12LOC-PD80J00-0000
Termination	pcb
Size	2
Locking principle	break , push
Coding	0_key



## Contact insert description

Number of contacts	8
Contact type	sockets
Contact diameter	09mm
Insulator material	peek
Termination	pcb
Termination diameter	07mm
Data transmission	ethernet_10

reverse\_gender\_on\_request

## Connection diagram

con\_ethernet\_10

## Technical information

Max. creepage and air clearance distance	12_mm	11_mm
Nominal current single contact	075_a	iec_60512_5_2
Nominal current insert	4,875_A	vde_0298_4
Test voltage	15_kv_ac	sae_13441

safety\_text

## Mechanical and environmental data

Degree of protection*	ip50
Operating temperature	40_120_c
Mating cycles	5000

mated\_unmated

## Material and surface treatments

Housing	m_chrome
Contact	cu_alloy_gold

data\_text

safety\_text 2  
data\_text  
ul\_text  
illustrative\_text