

1-5747301-4 ✓ ACTIVE

AMPLIMITE | AMPLIMITE HD-20

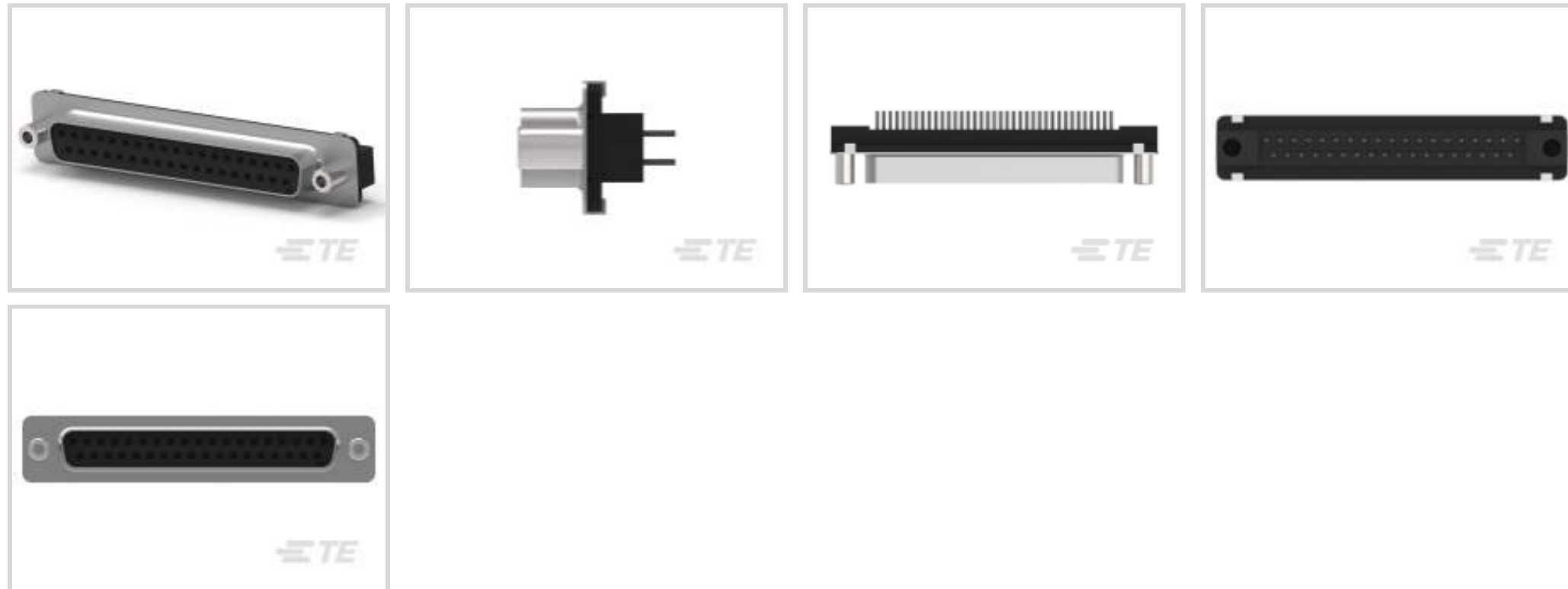
TE Internal #: 1-5747301-4

PCB D-Sub Connectors, Receptacle, Board-to-Board, 37 Position,
2.77 mm [.109 in] Centerline, 2 Row, 4 Connector Shell Size, Round,
AMPLIMITE HD-20

[View on TE.com >](#)



Connectors > D-Shaped Connectors > D-Sub Connectors > PCB D-Sub Connectors > D-Sub Receptacle Assembly: Vertical, Shell Size 4, 2.77mm



Connector & Housing Type: **Receptacle**

Connector System: **Board-to-Board**

Number of Positions: **37**

Centerline (Pitch): **2.77 mm [.109 in]**

Number of Rows: **2**

[All D-Sub Receptacle Assembly: Vertical, Shell Size 4, 2.77mm \(30\)](#)

Features

Product Type Features

Shell Material Configuration	Front Metal Shell
Connector & Housing Type	Receptacle
Connector System	Board-to-Board
Connector Shell Size	4
Connector & Contact Terminates To	Printed Circuit Board

Configuration Features

Number of Positions	37
Number of Rows	2
PCB Mount Orientation	Vertical

Body Features

Mating Feature Material	Zinc
Shell Plating Material	Tin



Primary Product Color	Black
-----------------------	-------

Connector Profile	Standard
-------------------	----------

Contact Features

	30 µin
--	--------

Contact Mating Area Plating Material	Gold
--------------------------------------	------

Contact Underplating Material	Nickel
-------------------------------	--------

PCB Contact Termination Area Plating Material	Tin
---	-----

Contact Base Material	Phosphor Bronze
-----------------------	-----------------

Contact Shape & Form	Round
----------------------	-------

Contact Current Rating (Max)	6 A
------------------------------	-----

Termination Features

Round Termination Post & Tail Diameter	.66 mm[.026 in]
--	-----------------

Termination Post & Tail Length	3.18 mm[.125 in]
--------------------------------	------------------

Termination Method to Printed Circuit Board	Through Hole - Solder
---	-----------------------

Mechanical Attachment

Mounting Hole Diameter	3.05 mm[.12 in]
------------------------	-----------------

PCB Mount Retention	With
---------------------	------

PCB Mount Retention Type	Mounting Hole
--------------------------	---------------

Mating Retention	With
------------------	------

Mating Retention Type	Female Screwlocks, Fixed
-----------------------	--------------------------

Connector Mounting Type	Board Mount
-------------------------	-------------

Housing Features

Shell Material	Carbon Steel
----------------	--------------

Housing Material	Polyester
------------------	-----------

Centerline (Pitch)	2.77 mm[.109 in]
--------------------	------------------

Dimensions

PCB Thickness (Recommended)	1.57 – 2.36 mm[.062 – .093 in]
-----------------------------	--------------------------------

Row-to-Row Spacing	2.84 mm[.112 in]
--------------------	------------------

Usage Conditions

Operating Temperature Range	-55 – 105 °C[-67 – 221 °F]
-----------------------------	----------------------------

Operation/Application

Circuit Application	Signal
---------------------	--------



Industry Standards

UL Flammability Rating	UL 94V-0
------------------------	----------

Packaging Features

Packaging Quantity	7
Packaging Method	Tube

Other

D-Shaped Connectors Comment	All receptacles are preloaded with size 20 DF posted socket contacts
-----------------------------	--

Product Compliance

[For compliance documentation, visit the product page on TE.com>](#)

EU RoHS Directive 2011/65/EU	Compliant
EU ELV Directive 2000/53/EC	Compliant
China RoHS 2 Directive MIIT Order No 32, 2016	No Restricted Materials Above Threshold
EU REACH Regulation (EC) No. 1907/2006	Current ECHA Candidate List: JUNE 2023 (235) Candidate List Declared Against: JAN 2023 (233) Does not contain REACH SVHC
Halogen Content	Not Low Halogen - contains Br or Cl > 900 ppm.
Solder Process Capability	Wave solder capable to 265°C

Product Compliance Disclaimer

This information is provided based on reasonable inquiry of our suppliers and represents our current actual knowledge based on the information they provided. This information is subject to change. The part numbers that TE has identified as EU RoHS compliant have a maximum concentration of 0.1% by weight in homogenous materials for lead, hexavalent chromium, mercury, PBB, PBDE, DBP, BBP, DEHP, DIBP, and 0.01% for cadmium, or qualify for an exemption to these limits as defined in the Annexes of Directive 2011/65/EU (RoHS2). Finished electrical and electronic equipment products will be CE marked as required by Directive 2011/65/EU. Components may not be CE marked. Additionally, the part numbers that TE has identified as EU ELV compliant have a maximum concentration of 0.1% by weight in homogenous materials for lead, hexavalent chromium, and mercury, and 0.01% for cadmium, or qualify for an exemption to these limits as defined in the Annexes of Directive 2000/53/EC (ELV). Regarding the REACH Regulation, the information TE provides on SVHC in articles for this part number is based on the latest European Chemicals Agency (ECHA) 'Guidance on requirements for substances in articles' posted at this URL: <https://echa.europa.eu/guidance-documents/guidance-on-reach>

Compatible Parts




TE Part # CAT-AM7-H3
IDC D-Sub: Plug Assembly, Low Profile, Signal, 2.77 mm



TE Part # CAT-AM7-248H4
IDC D-Sub: Connector Kit, Plug, Wire to Wire, Signal, 2.77 mm



TE Part # CAT-AM7-248H3
IDC D-Sub: Plug Assembly, Wire to Wire, Signal, 2.77 mm



TE Part # 206509-1
SIZE 20 KEYING PLUG

Also in the Series | **AMPLIMITE HD-20**



PCB D-Sub Connectors(353)

Customers Also Bought



TE Part #1-5745967-4
25 RCPT SP/FMS SCRLK



TE Part #5787170-5
50 50SR R/A RCPT ASSY,RDSN L/F



TE Part #5747842-5
25 MSFL PLUG RA 318 (SL,FM,BL)



TE Part #9-1879213-7
CPF 0402 301R 0.1% 25PPM 1K RL



TE Part #3-2176325-1
CRGP 0402 3K3 1%



TE Part #2176306-6
RP 1E 0.1W 1K3 0.1% 25PPM 5K RL



TE Part #2176306-9
RP 1E 0.1W 1K4 0.1% 25PPM 5K RL



TE Part #3-330808-8
SOCKET,MIN-SPR W/KO AU SER-1



TE Part #2-5330061-1
BNC PLUG



Documents

Product Drawings

37 RCPT SP/FMS SCRLK

English

CAD Files

Customer View Model

[ENG_CVM_CVM_1-5747301-4_N.3d_igs.zip](#)

English

Customer View Model

[ENG_CVM_CVM_1-5747301-4_N.3d_stp.zip](#)

English

Customer View Model

[ENG_CVM_CVM_1-5747301-4_N.2d_dxf.zip](#)

English

3D PDF

3D

Customer View Model

[ENG_CVM_1-5747301-4_A.3d_igs.zip](#)

English

Customer View Model

[ENG_CVM_1-5747301-4_A.3d_stp.zip](#)

English

Customer View Model

[ENG_CVM_1-5747301-4_A.2d_dxf.zip](#)

English

3D PDF

English

By downloading the CAD file I accept and agree to the [Terms and Conditions](#) of use.

Datasheets & Catalog Pages

AMPLIMITE Subminiature D Connectors - Straight Posted Connectors

English

Product Specifications

Application Specification

English

Product Environmental Compliance

[MD_1-5747301-4_04052018549_dmtec](#)

English

[MD_1-5747301-4_04052018549_dmtec](#)

English

Agency Approvals

[UL Report](#)

1-5747301-4

PCB D-Sub Connectors, Receptacle, Board-to-Board, 37 Position, 2.77 mm [.109 in]
Centerline, 2 Row, 4 Connector Shell Size, Round, AMPLIMITE HD-20



English