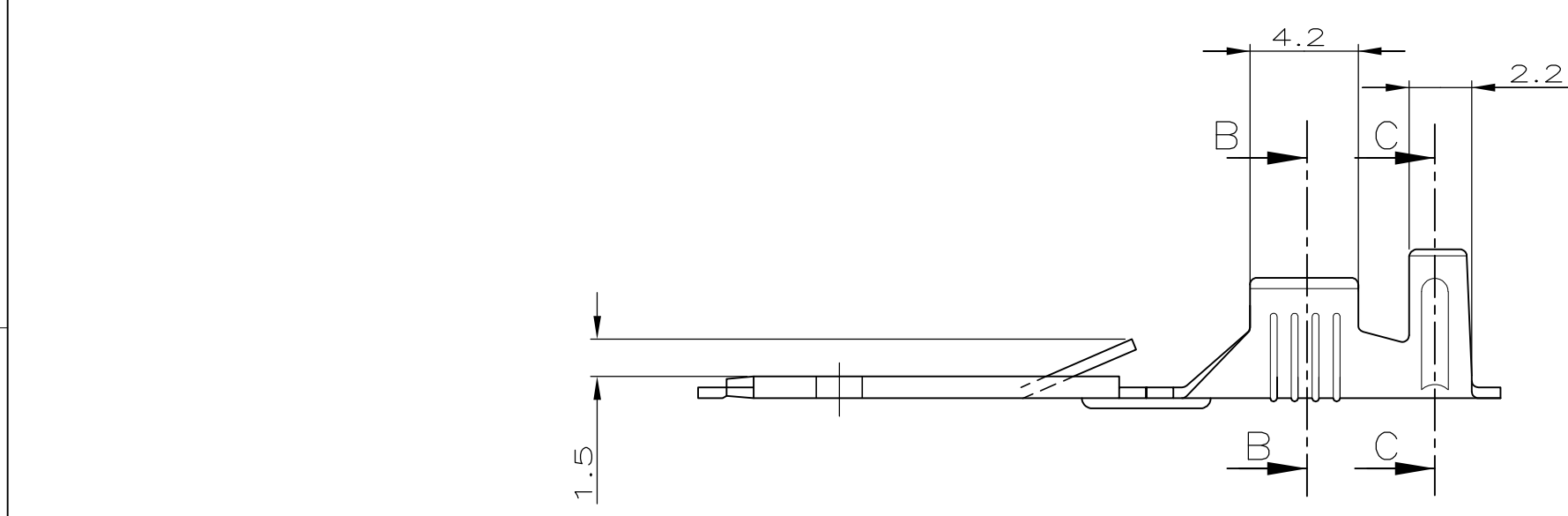
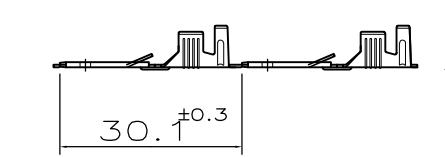


THIS DRAWING IS UNPUBLISHED. RELEASED FOR PUBLICATION
 © COPYRIGHT - By - ALL RIGHTS RESERVED.

LOC	DIST	REVISIONS			
P	LTR	DESCRIPTION	DATE	DWN	APVD
	AA	CHANGED PACK. ET00-0010-05	21JAN2005	H.Y.	-
	AA1	REV PER ECO-09-021510	03SEP09	KK	AEG
	AA2	ECR-10-022530	07JAN11	KK	HMR



1) STATO DI FORNITURA (SCALA 1:1)
 (SUPPLY CONDITION, Scale 1:1)

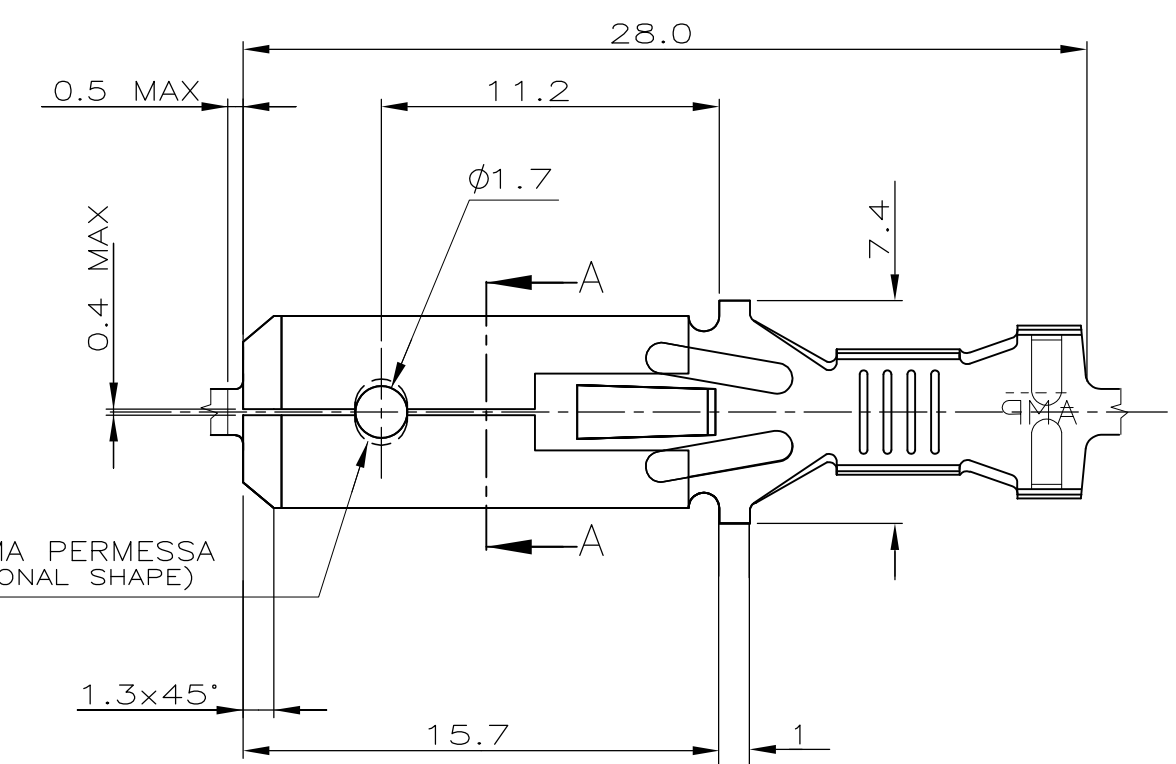
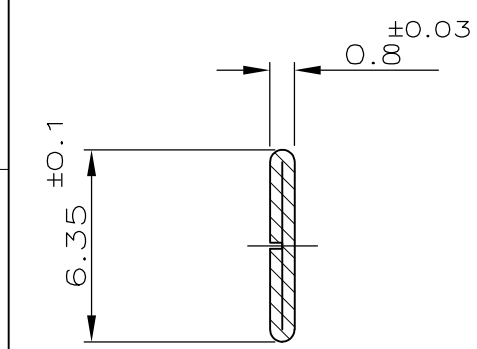


SENSO DI USCITA DEL TERMINALE DALLA BOBINA
 (DIRECTION OFF TOP OF REEL)

2) SPECIFICA DI PRODOTTO : 108-20020
 (PRODUCT SPECIFICATION : 108-20020)

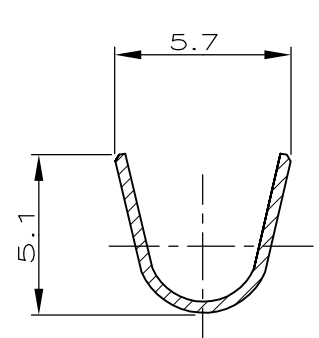
- 3 BOBINATO SU BOBINA 10"1/2 CON CARTA INTERPOSTA
 (REELED ON 10"1/2 CARTON TYPE REEL WITH INTERLEAVE PAPER STRIP)
- 4 BOBINATO SU BOBINA 12" CON CARTA INTERPOSTA
 (REELED ON 12" CARTON TYPE REEL WITH INTERLEAVE PAPER STRIP)
- 5 BOBINATO SU BOBINA 10"1/2
 (REELED ON 10"1/2 CARTON TYPE REEL)
- 6 OBSOLETE PARTS: OBSOLETE CIS STREAMLINING PER D.RENAUD/D.SINISI
- 7 OBSOLETE

SEZIONE A-A
 (SECTION A-A)

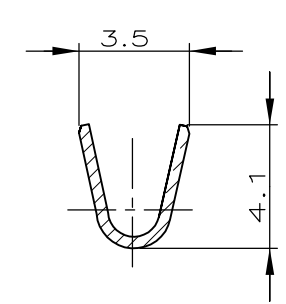


FORMA PERMESSA (OPTIONAL SHAPE)

SEZIONE C-C
 (SECTION C-C)



SEZIONE B-B
 (SECTION B-B)



7	4	PRE-STAGNATO (PRE-TIN PLATED)	OTTONE (BRASS)	4-280081-2	AA
	3	NUDO (UNPLATED)	OTTONE (BRASS)	1-280081-1	Z
7	4	ARGENTATO (SILVER PLATED)	OTTONE (BRASS)	4-280081-0	Z
	3	STAGNATO (TINPLATED)	OTTONE (BRASS)	280081-9	Z
	4	NUDO (UNPLATED)	OTTONE (BRASS)	280081-8	Z
	3	STAGNATO (TINPLATED)	BRONZO FOSF.(PH.BRONZE)	280081-7	Z
6	OBSOLETE	STAGNATO (TINPLATED)	OTTONE (BRASS)	280081-6	Z
6	OBSOLETE	STAGNATO (TINPLATED)	BRONZO FOSF.(PH.BRONZE)	280081-4	Z
	4	NUDO (UNPLATED)	BRONZO FOSF.(PH.BRONZE)	280081-3	Z
	4	STAGNATO (TINPLATED)	OTTONE (BRASS)	280081-2	Z
	5	NUDO (UNPLATED)	OTTONE (BRASS)	280081-1	Z
NOTE (NOTES)	FINITURA (FINISH)	MATERIALE (MATERIAL)	NUMERO (TE P/N)	REV	

DIAM. ISOLANTE (INS. DIA. RANGE) φ4 mm.MAX	RANGO FILO (WIRE RANGE) 0.8-2.5mm ²
---	---

THIS DRAWING IS A CONTROLLED DOCUMENT.

DIMENSIONS: mm	TOLERANCES UNLESS OTHERWISE SPECIFIED: ±0.3
0 PLC ± -	1 PLC ± -
2 PLC ± -	3 PLC ± -
4 PLC ± -	ANGLES ± 2'

MATERIAL	FINISH
-	-

DWN R.FABRIS	01-FEB-00	STE TE Connectivity			
CHK -	-				
APVD -	-	NAME			
PRODUCT SPEC -	-	FASTIN-FASTON Conn.,.250"sr. TAB CONTACT			
APPLICATION SPEC -	-	SIZE	CAGE CODE	DRAWING NO	RESTRICTED TO
WEIGHT -	-	A3	00779	C-280081	-
CUSTOMER DRAWING		SCALE 4:1	SHEET 1 OF 1	REV AA2	