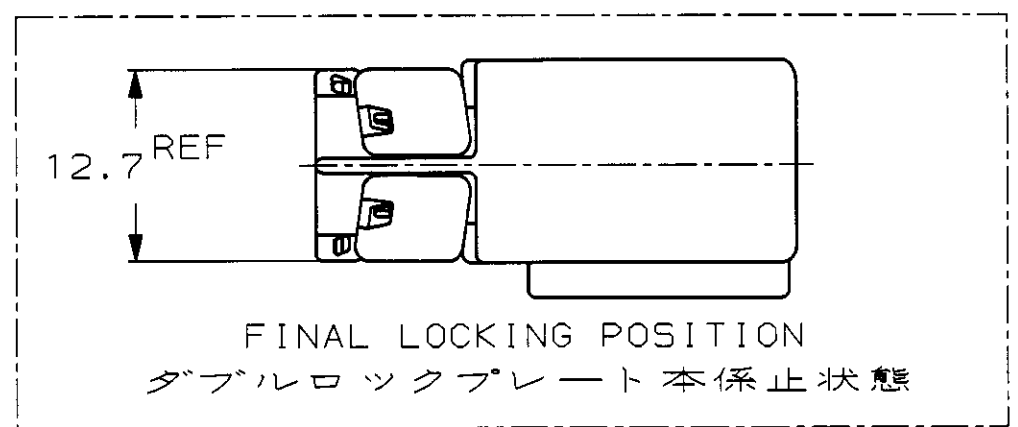
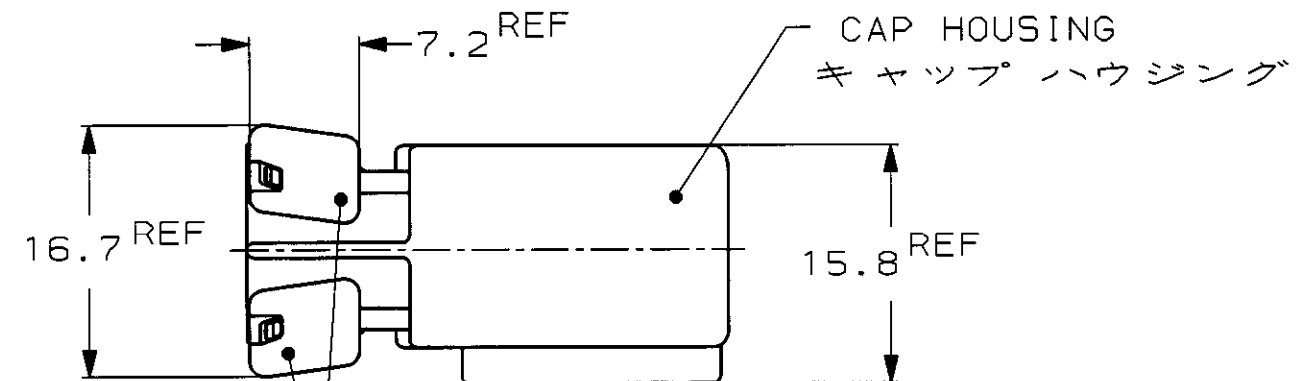
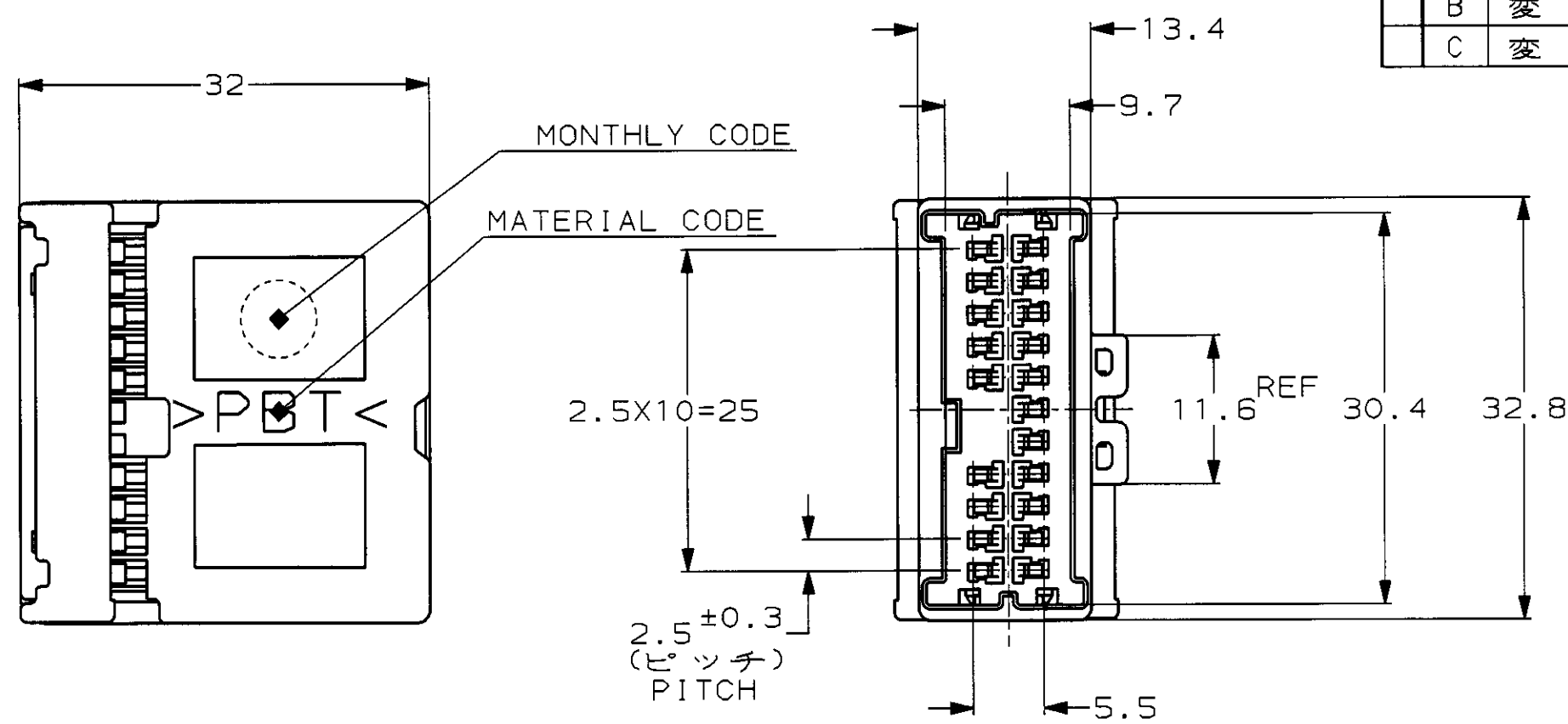


| REVISIONS | | | | | |
|-----------|-----|-------------|--------------|---------|-------|
| P | LTR | DESCRIPTION | ECN | DATE | APVD |
| | A | 再作成 REDRAWN | FJ00-0506-98 | 10APR98 | TM MT |
| | B | 変更 REVISED | FJ00-1797-99 | 29OCT99 | KS MT |
| | C | 変更 REVISED | FJ00-2112-99 | 08DEC99 | KS MT |



| | | | |
|--|---|--|-------------------|
| 1123379-1 | 353537-1 353537-2 (Au) | 自然色 (NATURAL) | 1123357-1 |
| 嵌合相手ハウジング型番 MATING HOUSING PART NUMBER | 適用端子型番 APPLICABLE CONTACT PART NUMBER | 色 (COLOR) | 型番 PART NUMBER |
| <small>THIS DRAWING IS A CONTROLLED DOCUMENT FOR AMP INCORPORATED. IT IS SUBJECT TO CHANGE AND THE CONTROLLING ENGINEERING ORGANIZATION SHOULD BE CONTACTED FOR THE LATEST REVISION.</small> | | 08APR98 T. MINEMATSU 08APR98 E. SASAKI 10APR98 M. TSUKAKOSHI | |
| DIMENSIONS: 単位: 概 mm | | TOLERANCES UNLESS OTHERWISE SPECIFIED 一般公差 10% : ±0.2 30% : ±0.25 100% : ±0.3 ANGLE : ±0.3° | |
| MATERIAL 材料 PBT | | FINISH 仕上 | |
| APVD M. TSUKAKOSHI | | NAME 040III MULTILOCK CONNECTOR 20POSITION CAP HOUSING ASSEMBLY (WIRE TO WIRE) | |
| PRODUCT SPEC 製品規格 108-5607 | | 040III マルチロック コネクタ 20極 キャップハウジング アッセンブリ (対電線用) | |
| APPLICATION SPEC 取付適用規格 114-5228 | | SIZE CAGE CODE DRAWING NO A3 00779 © 1123357 | |
| WEIGHT 8.1g | | RESTRICTED TO - | |
| CUSTOMER DRAWING | | SCALE 2:1 SHEET 1 OF 1 REV C | |