

208494-1 ✓ ACTIVE

AMP | AMP CPC

TE Internal #: 208494-1

Circular Power Connectors, Housing, 600 VDC, 10 – 16 AWG Wire Size, Wire-to-Wire, 3 Position, Wire & Cable, Plug, Socket, Power & Signal, AMP CPC

[View on TE.com >](#)



Connectors > Power Connectors > Circular Power > Circular Power Connectors > Circular Connector, CMC Series 3



Connector Product Type: **Housing**

Operating Voltage: **600 VDC**

Wire Size: **10 – 16 AWG**

Connector System: **Wire-to-Wire**

Number of Positions: **3**

[All Circular Connector, CMC Series 3 \(10\)](#)

Features

Product Type Features

Connector Product Type	Housing
Connector System	Wire-to-Wire
Sealable	No
Connector & Contact Terminates To	Wire & Cable
Connector & Housing Type	Plug
Circular Connector Shell Type	Metal-Shell

Configuration Features

Reverse Numbering	Without
Number of Positions	3
Number of Power Positions	3
Number of Signal Positions	0

Electrical Characteristics



Operating Voltage	600 VAC
-------------------	---------

Contact Features

Reverse Gender	No
Contact Type	Socket
Contact Current Rating (Max)	25 A
Contact Protection	With

Termination Features

Termination Method to Wire & Cable	Crimp
------------------------------------	-------

Mechanical Attachment

Mating Alignment Type	Keyed
Mating Alignment	With
Mating Retention Type	Threaded Coupling
Thread Size	1-3/16-18 UNEF-2A
Polarization Code	A
Mating Retention	With
Panel Mount Feature	Without

Housing Features

Body Orientation	Straight
Housing Color	Black
Housing Material	Thermoplastic
Circular Connector Shell Size	22

Dimensions

Compatible Insulation Diameter Range	5.59 mm[.22 in]
Wire Size	10 – 16 AWG

Usage Conditions

Operating Temperature Range	-55 – 105 °C[-67 – 221 °F]
Fluid Resistance	None

Operation/Application

Circuit Application	Power & Signal
Shielded	No

Industry Standards

UL Flammability Rating	UL 94V-0
------------------------	----------



Packaging Features

Packaging Quantity	10
Packaging Method	Carton

Product Compliance

[For compliance documentation, visit the product page on TE.com>](#)

EU RoHS Directive 2011/65/EU	Compliant
EU ELV Directive 2000/53/EC	Compliant
China RoHS 2 Directive MIIT Order No 32, 2016	No Restricted Materials Above Threshold
EU REACH Regulation (EC) No. 1907/2006	Current ECHA Candidate List: JUNE 2023 (235) Candidate List Declared Against: JAN 2021 (211) Does not contain REACH SVHC
Halogen Content	Not Yet Reviewed for halogen content
Solder Process Capability	Not applicable for solder process capability

Product Compliance Disclaimer

This information is provided based on reasonable inquiry of our suppliers and represents our current actual knowledge based on the information they provided. This information is subject to change. The part numbers that TE has identified as EU RoHS compliant have a maximum concentration of 0.1% by weight in homogenous materials for lead, hexavalent chromium, mercury, PBB, PBDE, DBP, BBP, DEHP, DIBP, and 0.01% for cadmium, or qualify for an exemption to these limits as defined in the Annexes of Directive 2011/65/EU (RoHS2). Finished electrical and electronic equipment products will be CE marked as required by Directive 2011/65/EU. Components may not be CE marked. Additionally, the part numbers that TE has identified as EU ELV compliant have a maximum concentration of 0.1% by weight in homogenous materials for lead, hexavalent chromium, and mercury, and 0.01% for cadmium, or qualify for an exemption to these limits as defined in the Annexes of Directive 2000/53/EC (ELV). Regarding the REACH Regulation, the information TE provides on SVHC in articles for this part number is based on the latest European Chemicals Agency (ECHA) 'Guidance on requirements for substances in articles' posted at this URL: <https://echa.europa.eu/guidance-documents/guidance-on-reach>

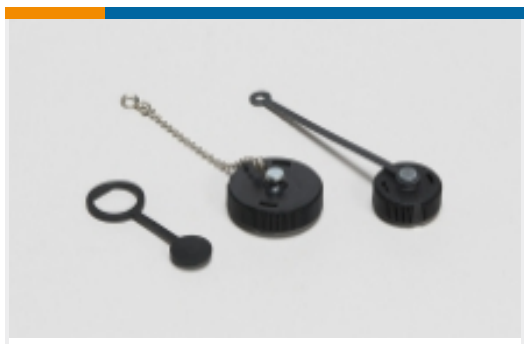
Compatible Parts



Also in the Series | [AMP CPC](#)



Circular Connector Adapters(7)



Circular Connector Caps & Covers(16)



Circular Connector Hardware(3)



Circular Connector Keying Plugs(2)



Circular Power Connectors(459)



Connector Backshells(56)



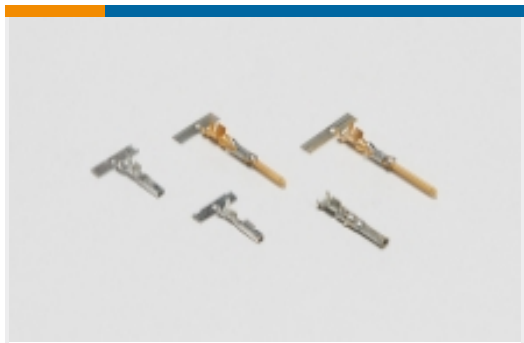
Connector Seals & Cavity Plugs(36)



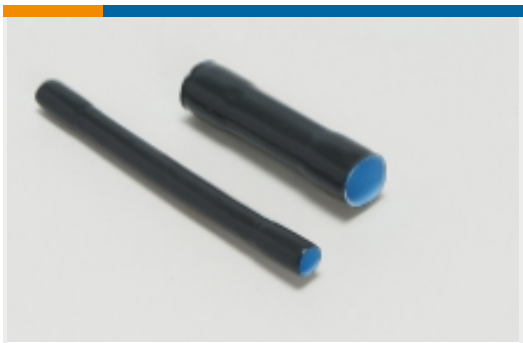
Connector Strain Relief(6)



Insertion & Extraction Tools(1)



Power Contacts(6)

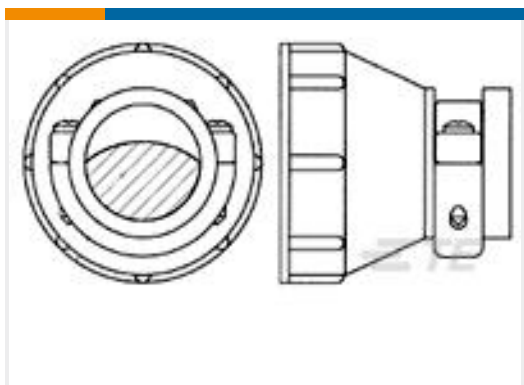


Sealing Sleeves(2)

Customers Also Bought



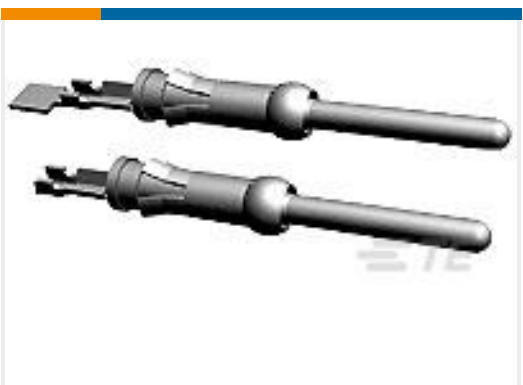
TE Part #208495-1
Circular Connector, CMC Series 3



TE Part #208945-7
SZ 22 UNASSM KIT,CMC



TE Part #208473-1
CMC RECEPTACLE ASSY,SIZE 28



TE Part #66103-4
III+ PIN,24-20,30AU/FL,LP



TE Part #320619
TERMINAL,PIDG R 16-14 6



TE Part #102387-1
10 MODIV HSG COMP DR .100 POL



TE Part #770016-1
05P UMNLI IN-LNE PLUG HSG KIT



TE Part #2176343-8
CRGCO 1206 39R 1%



Documents

Product Drawings

[CMC PLUG ASSEMBLY,SZ 22](#)

English

CAD Files

Customer View Model

[ENG_CVM_208494-1_M.2d_dxf.zip](#)

English

Customer View Model

[ENG_CVM_208494-1_M.3d_igs.zip](#)

English

Customer View Model

[ENG_CVM_208494-1_M.3d_stp.zip](#)

English

3D PDF

English

By downloading the CAD file I accept and agree to the [Terms and Conditions](#) of use.

Datasheets & Catalog Pages

[1-1773902-9_CPC_Catalog](#)

English

[1-1773902-9_CPC_Catalog](#)

[1-1773902-9_CPC_Catalog](#)

German

[1-1773902-9_CPC_Catalog](#)

Japanese

[AMP Circular Connectors for Commercial Signal & Power Applications Continued](#)

English

Product Specifications

[Product Specification](#)

English

Instruction Sheets

[Instruction Sheet \(U.S.\)](#)



English

[Agency Approvals](#)

[CSA Certificate](#)

English

[CSA Certificate](#)

English