

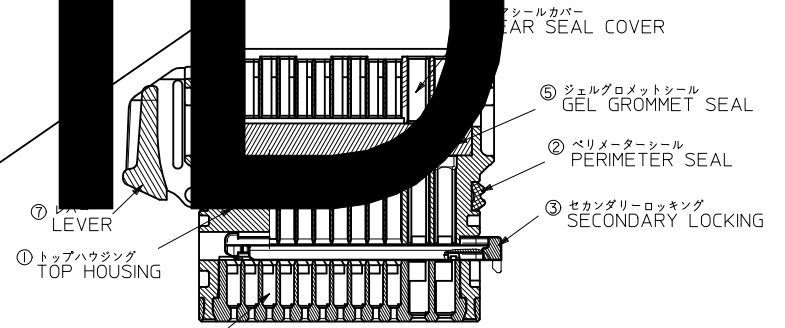
注記
NOTES

1. 適合端子:
APPLICABLE TERMINAL:

信号部 (025端子)
FOR SIGNAL (025 TERMINAL)
MOX 0.63 TERMINAL 98658-1211
電源部 (060端子)
FOR POWER SUPPLY (060 TERMINAL)
MOX 0.63 TERMINAL 98495-1211, 98195-1212, 98195-1213

2. 適合ワイヤ
APPLICABLE WIRE GAUGE: 001

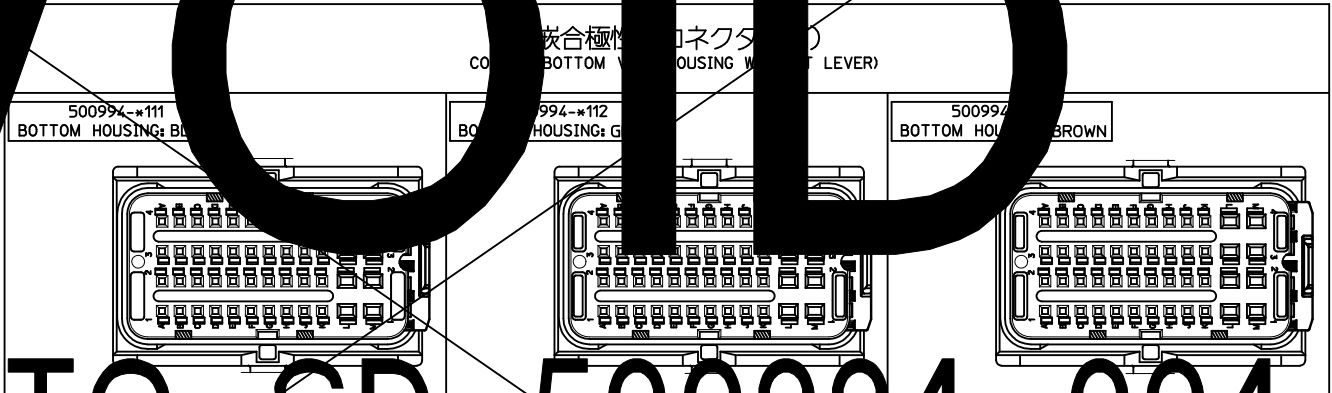
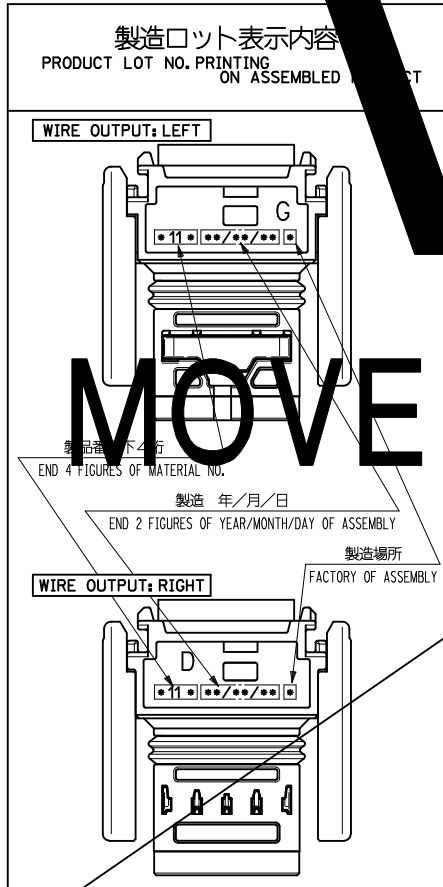
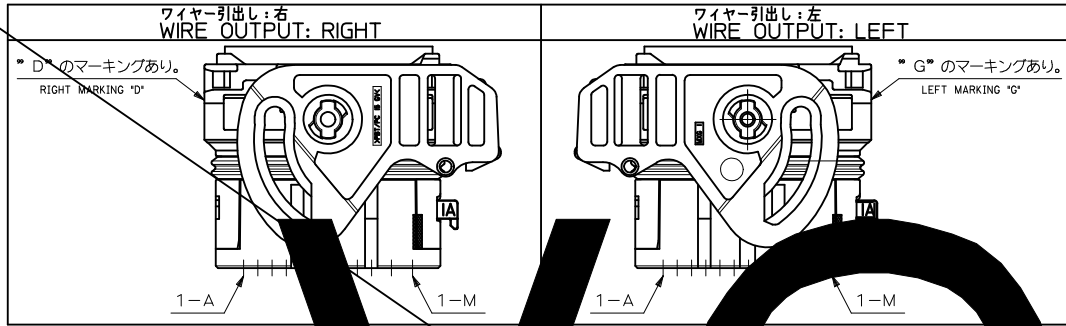
3. コネクタの取り付け、使用方法等については、仕様書AS-500993-001を参照下さい。
PLEASE REFER TO APPLICABLE SPECIFICATION AS-500993-001 FOR MOUNTING AND USING.



VOID
MOVE TO SD-500994-004

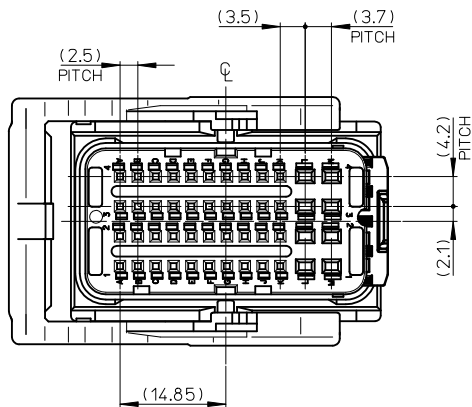
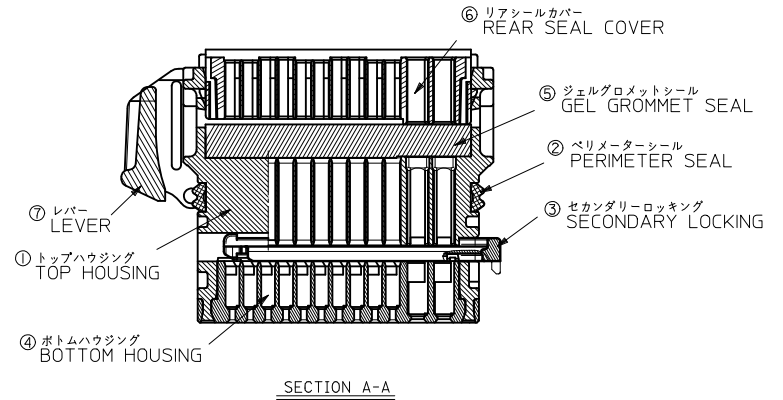
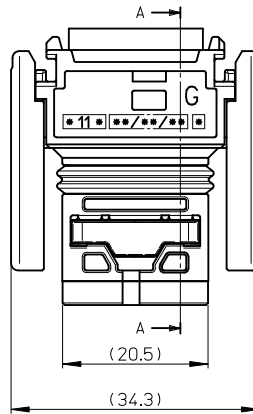
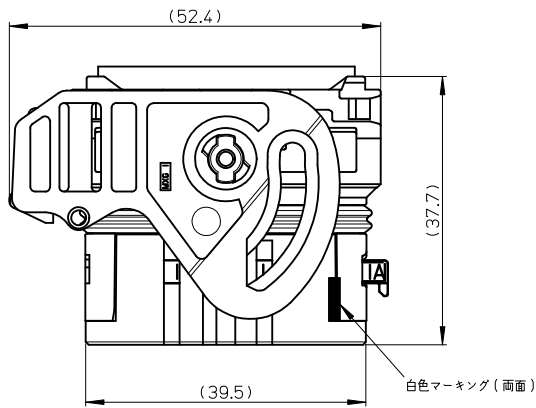
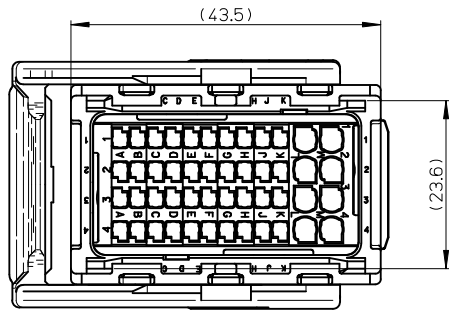
左 LEFT	500994-5113	茶 BROWN
	500994-5112	灰 GRAY
	500994-5111	黒 BLACK
右 RIGHT	500994-4113	茶 BROWN
	500994-4112	灰 GRAY
	500994-4111	黒 BLACK
ワイヤ取出し方向(レバー方向) WIRE OUTPUT DIRECTION (LEVER DIRECTION)	型番 MATERIAL NO.	色 COLOR

VOID EC NO: JTR2010-0118 DRAWN: S. ANDO 2005/03/15 CHKD: M. YAMAMOTO 2005/07/21 APPR: M. YAMAMOTO 2010/08/02	GENERAL TOLERANCES (UNLESS SPECIFIED)		DIMENSION STYLE MM ONLY		SCALE	DESIGN UNITS METRIC	THIRD ANGLE PROJECTION
	10 UNDER	±0.2	DRAWN BY S. ANDO		DATE 2005/2/21	TITLE CMC REC. ASSY 48PIN (MOX1.5)	
	10 OVER 30 UNDER	±0.25	CHECKED BY MA. YAMAMOTO		DATE 2005/2/21	MATERIAL NO. SD-500994-002	
	30 OVER	±0.3	APPROVED BY A. KANESHIGE		DATE 2005/2/21	SHEET NO. 1 OF 2	
ANGULAR ±2 °		DRAFT WHERE APPLICABLE MUST REMAIN WITHIN DIMENSIONS		MOLEX INCORPORATED		DOCUMENT NO.	
SIZE A2		THIS DRAWING CONTAINS INFORMATION THAT IS PROPRIETARY TO MOLEX INCORPORATED AND SHOULD NOT BE USED WITHOUT WRITTEN PERMISSION					



部品名 PART NAME	材質 MATERIAL	色 COLOR
① シールドハウジング SHIELD HOUSING	シリコン PBT/G.F.	黒 BLACK
② ペリメータシール PERIMETER SEAL	シリコン SILICONE	赤 RED
③ セカンドロッキング SECONDARY LOCKING	ポリエステル PBT G.F.	緑 GREEN
④ ボトムハウジング BOTTOM HOUSING	ポリエステル PBT G.F.	SHEET1 表参照 SEE CHART(SHEET1)
⑤ ジェルゴメットシール GEL GOTTOMET SEAL	シリコン SILICONE	青 BLUE
⑥ リアシールカバー REAR SEAL COVER	ポリエステル PBT G.F.	橙 ORANGE
⑦ レバー LEVER	ポリエステル/ポリカーボネート PBT/PC G.F.	灰 GRAY

VOID EC NO: JTR2010-0118 DRW:KKAT001 2007/03/15 CHK:KAYAMAMOTO 2005/7/21 APPR:KAYAMAMOTO 2010/08/02	GENERAL TOLERANCES (UNLESS SPECIFIED)		DIMENSION STYLE MM ONLY		SCALE	DESIGN UNITS METRIC	THIRD ANGLE PROJECTION
	10 UNDER	±0.2	DRAWN BY S. ANDO	DATE 2005/2/21	TITLE CMC REC. ASSY 48PIN (MOX1.5)	MOLEX INCORPORATED SD-500994-002 2 OF 2	
	10 OVER 30 UNDER	±0.25	CHECKED BY MA. YAMAMOTO	DATE 2005/2/21			
	30 OVER	±0.3	APPROVED BY A. KANESHIGE	DATE 2005/2/21			
ANGULAR	±2 °	MATERIAL NO. SEE SHEET NO.1	DOCUMENT NO.				
DRAFT WHERE APPLICABLE MUST REMAIN WITHIN DIMENSIONS		THIS DRAWING CONTAINS INFORMATION THAT IS PROPRIETARY TO MOLEX INCORPORATED AND SHOULD NOT BE USED WITHOUT WRITTEN PERMISSION					

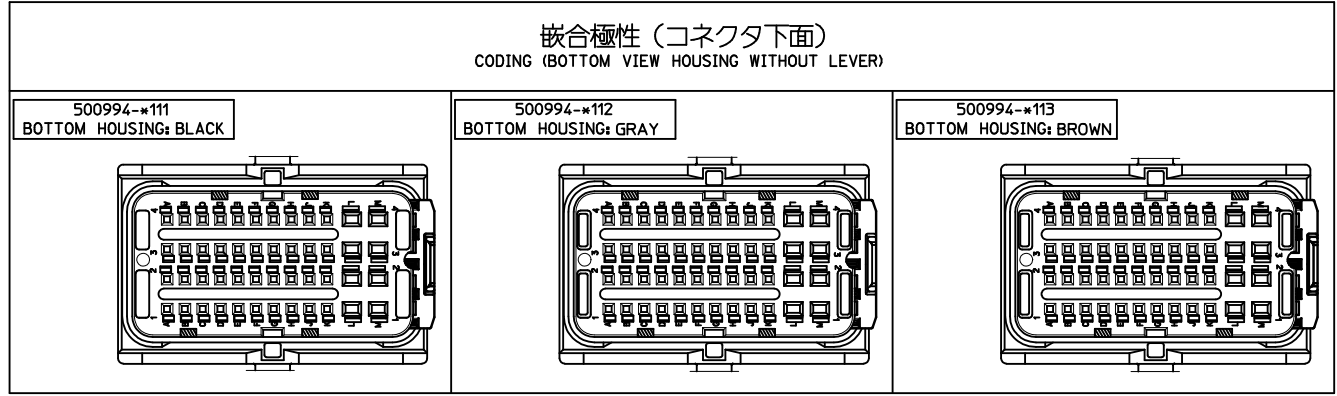
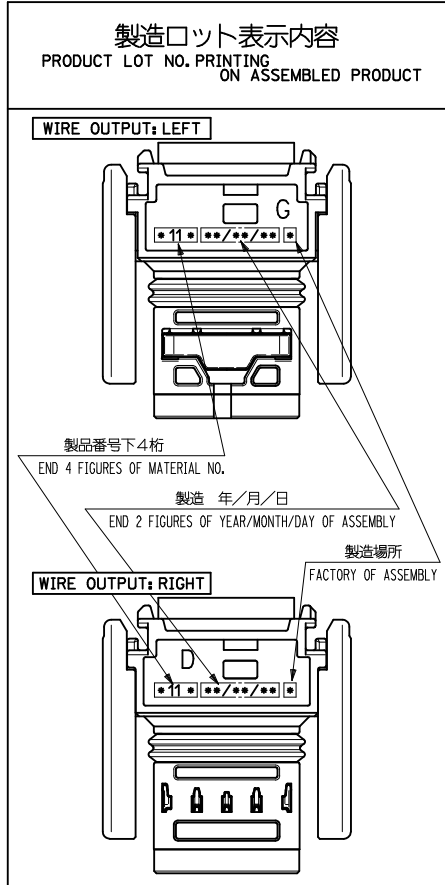
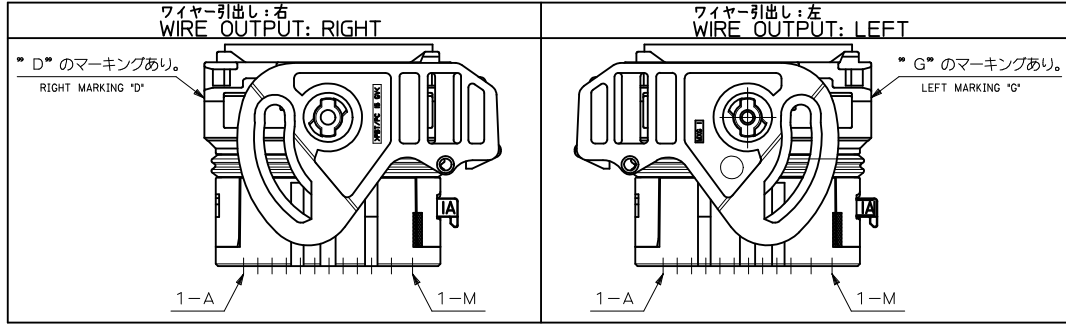


注記
NOTES

- 適合端子:
APPLICABLE TERMINAL:
信号部 (025端子)
FOR SIGNAL (025 TERMINAL)
MOX 0.63 TERMINAL 98658-1211
電源部 (060端子)
FOR POWER SUPPLY (060 TERMINAL)
MOX 1.5 TERMINAL 98195-1211, 98195-1212, 98195-1213
- 適合ワイヤキャップ:
APPLICABLE WIRE CAP: 98655-1001
- コネクタの取り扱い、使用方法等についてはアプリケーション仕様書AS-500993-001を参照下さい。
PLEASE REFER TO APPLICATION SPECIFICATION AS-500993-001 FOR HANDLING AND USING.

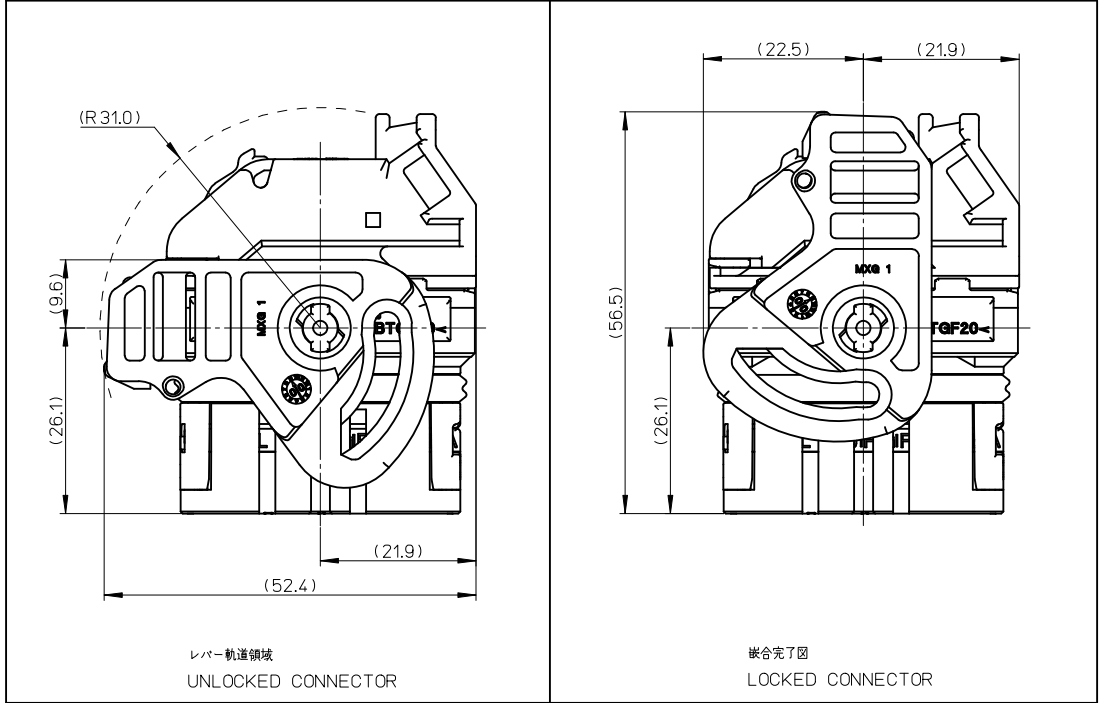
左 LEFT	500994-5113	茶 BROWN
	500994-5112	灰 GRAY
	500994-5111	黒 BLACK
右 RIGHT	500994-4113	茶 BROWN
	500994-4112	灰 GRAY
	500994-4111	黒 BLACK
ワイヤ取出し方向(レバー方向) WIRE OUTPUT (LEVER DIRECTION)	型番 MATERIAL NO.	色 COLOR

REVISED & REDRAWN EC NO: JTR2010-0118 DRWN: S INAKA 2010/07/28 CHKD: SANDO 2010/07/29 APPR: MAYAMOTO 2010/08/02	GENERAL TOLERANCES (UNLESS SPECIFIED)		DIMENSION STYLE MM ONLY		SCALE 2:1	DESIGN UNITS METRIC	THIRD ANGLE PROJECTION
	10 UNDER	±0.2	DRAWN BY S INAKA	DATE 2010/07/28	TITLE CMC REC. ASSY 48PIN (MOX1.5)		
	10 OVER 30 UNDER	±0.25	CHECKED BY SANDO	DATE 2010/07/29	MOLEX INCORPORATED		
	30 OVER	±0.3	APPROVED BY MAYAMOTO	DATE 2010/07/30	DOCUMENT NO. SD-500994-004		
ANGULAR ±2 °		DRAFT WHERE APPLICABLE MUST REMAIN WITHIN DIMENSIONS		SEE TABLE		SHEET NO. 1 OF 3	
SIZE A2				THIS DRAWING CONTAINS INFORMATION THAT IS PROPRIETARY TO MOLEX INCORPORATED AND SHOULD NOT BE USED WITHOUT WRITTEN PERMISSION			



①	トップハウジング TOP HOUSING	ポリエステル ガラス充填 PBT G.F.	黒 BLACK
②	ペリメータースील PERIMETER SEAL	シリコン SILICONE	赤 RED
③	セカンダリロック SECONDARY LOCKING	ポリエステル ガラス充填 PBT G.F.	緑 GREEN
④	ボトムハウジング BOTTOM HOUSING	ポリエステル ガラス充填 PBT G.F.	SHEET1 表参照 SEE CHART(SHEET1)
⑤	ジェルグロメットシール GEL GTOMMET SEAL	シリコン SILICONE	青 BLUE
⑥	リアシールカバー REAR SEAL COVER	ポリエステル ガラス充填 PBT G.F.	橙 ORANGE
⑦	レバー LEVER	ポリエステル/ポリカーボネート ガラス充填 PBT/PC G.F.	灰 GRAY
	部品名 PART NAME	材質 MATERIAL	色 COLOR

REVISED & REDRAWN EC NO: JTR2010-018 DRAWN: INAKA 2010/07/28 CHKD: SANDO 2010/07/29 APPR: MAYAMOTO 2010/08/02	GENERAL TOLERANCES (UNLESS SPECIFIED)		DIMENSION STYLE MM ONLY		SCALE 2:1	DESIGN UNITS METRIC	THIRD ANGLE PROJECTION
	10 UNDER	±0.2	DRAWN BY SINAOKA	DATE 2010/07/28	TITLE CMC REC. ASSY 48PIN (MOX1.5)		
	10 OVER 30 UNDER	±0.25	CHECKED BY SANDO	DATE 2010/07/29			
	30 OVER	±0.3	APPROVED BY MAYAMOTO	DATE 2010/07/30	MOLEX INCORPORATED		
ANGULAR	±2 °	MATERIAL NO.	DOCUMENT NO.				
DRAFT WHERE APPLICABLE MUST REMAIN WITHIN DIMENSIONS		SEE SHEET NO.1		SD-500994-004		SHEET NO. 2 OF 3	
THIS DRAWING CONTAINS INFORMATION THAT IS PROPRIETARY TO MOLEX INCORPORATED AND SHOULD NOT BE USED WITHOUT WRITTEN PERMISSION							



レバー軌道領域
UNLOCKED CONNECTOR

嵌合完了図
LOCKED CONNECTOR

REVISED & REDRAWN EC NO: JTR2010-018 DRWNS: INAKA 2010/07/28 CHKD: SANDO 2010/07/29 APPR: MAYAMOTO 2010/08/02	GENERAL TOLERANCES (UNLESS SPECIFIED)		DIMENSION STYLE MM ONLY	SCALE 2:1	DESIGN UNITS METRIC	THIRD ANGLE PROJECTION
	10 UNDER	±0.2	DRAWN BY SINAOKA	DATE 2010/07/28	TITLE CMC REC. ASSY 48PIN (MOX1.5)	
	10 OVER 30 UNDER	±0.25	CHECKED BY SANDO	DATE 2010/07/29		
	30 OVER	±0.3	APPROVED BY MAYAMOTO	DATE 2010/07/30	MOLEX INCORPORATED DOCUMENT NO. SD-500994-004	
ANGULAR	±2 °	MATERIAL NO.	SEE SHEET NO.1	SHEET NO. 3 OF 3		
REV	DRAFT WHERE APPLICABLE MUST REMAIN WITHIN DIMENSIONS		THIS DRAWING CONTAINS INFORMATION THAT IS PROPRIETARY TO MOLEX INCORPORATED AND SHOULD NOT BE USED WITHOUT WRITTEN PERMISSION			