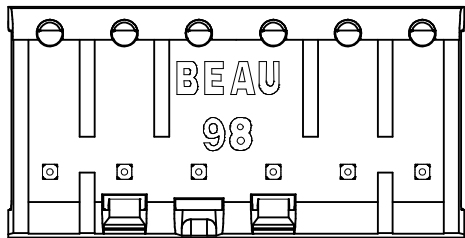
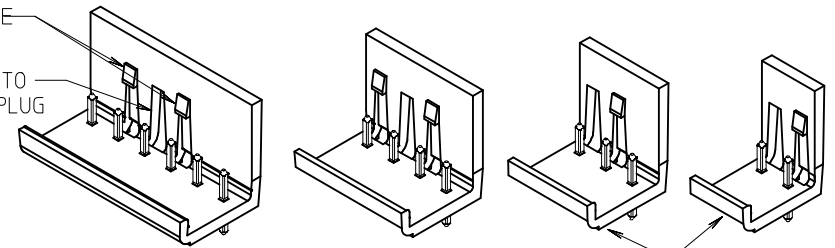


1.00 SQ. [0.039] TYP.



DUAL SNAP FEATURE CENTERED ON PLUG
ALIGNMENT FEATURE TO MATCH FEATURE ON PLUG



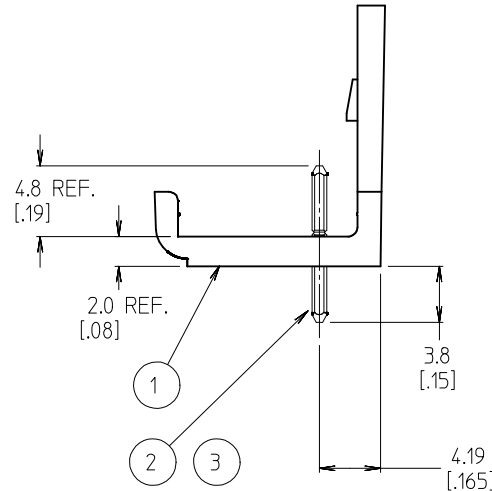
AUXILLARY VIEW SCALE 1:1

SINGLE SNAP FEATURE TO THE RIGHT OF ALIGNMENT FEATURE, 2 & 3 CIRCUIT PARTS

NOTES:

1. MATERIAL: SEE TABLE
2. FINISHES: SEE TABLE
3. PRODUCT SPECIFICATION: PPS.98.002
4. INCH DIMS ARE SHOWN IN BRACKETS [XXX].
5. *XX* REFERS TO QTY. OF CIRCUITS.
6. ASSEMBLY IS ROHS COMPLIANT.
7. REPLACES DWG. SD-39980-0402.

(E)



NUMBER OF CIRCUITS *XX*	DIM. 'A'	DIM. 'B'	DIM. 'C' *013	MATERIAL NO. TIN (STD)	MATERIAL NO. GOLD OPTION
02	10.77 [0.424]	5.08 [0.200]	N/A	39980-0402	39981-0402
03	15.85 [0.624]	10.16 [0.400]	5.08 [0.200]	39980-0403	39981-0403
04	20.93 [0.824]	15.24 [0.600]	5.08 [0.200]	39980-0404	39981-0404
05	26.01 [1.024]	20.32 [0.800]	5.08 [0.200]	39980-0405	39981-0405
06	31.09 [1.224]	25.40 [1.000]	10.16 [0.400]	39980-0406	39981-0406
07	36.17 [1.424]	30.48 [1.200]	10.16 [0.400]	39980-0407	39981-0407
08	41.25 [1.624]	35.56 [1.400]	15.24 [0.600]	39980-0408	39981-0408
09	46.33 [1.824]	40.64 [1.600]	15.24 [0.600]	39980-0409	39981-0409
10	51.41 [2.024]	45.72 [1.800]	20.32 [0.800]	39980-0410	39981-0410
11	56.49 [2.224]	50.80 [2.000]	20.32 [0.800]	39980-0411	39981-0411
12	61.57 [2.424]	55.88 [2.200]	25.40 [1.000]	39980-0412	39981-0412
13	66.65 [2.624]	60.96 [2.400]	25.40 [1.000]	39980-0413	39981-0413
14	71.73 [2.824]	66.04 [2.600]	30.48 [1.200]	39980-0414	39981-0414
15	76.81 [3.024]	71.12 [2.800]	30.48 [1.200]	39980-0415	39981-0415
16	81.89 [3.224]	76.20 [3.000]	35.56 [1.400]	39980-0416	39981-0416
17	86.97 [3.424]	81.28 [3.200]	35.56 [1.400]	39980-0417	39981-0417
18	92.05 [3.624]	86.36 [3.400]	40.64 [1.600]	39980-0418	39981-0418
19	97.13 [3.824]	91.44 [3.600]	40.64 [1.600]	39980-0419	39981-0419
20	102.21 [4.024]	96.52 [3.800]	45.72 [1.800]	39980-0420	39981-0420
21	107.29 [4.224]	101.60 [4.000]	45.72 [1.800]	39980-0421	39981-0421
22	112.37 [4.424]	106.68 [4.200]	50.80 [2.000]	39980-0422	39981-0422
23	117.45 [4.624]	111.76 [4.400]	50.80 [2.000]	39980-0423	39981-0423
24	122.53 [4.824]	116.84 [4.600]	55.88 [2.200]	39980-0424	39981-0424

WIDTH WAS .62/IS .60 EC NO: MNA2009-0464 DRAWN BY: DRW:NYLOR 2009/02/03 CHKD:RDEROSS 2009/02/05 APPR:RDEROSS 2009/02/09	QUALITY SYMBOLS	GENERAL TOLERANCES (UNLESS SPECIFIED)	DIMENSION STYLE	SCALE	DESIGN UNITS	THIRD ANGLE PROJECTION	
	▽=0 ▽=0	mm INCH 4 PLACES ± --- ± --- 3 PLACES ± --- ± .005 2 PLACES ± 0.13 ± .01 1 PLACE ± 0.3 ± --- ANGULAR ± 2 °	MM/IN	3:1	INCH	DRAWN BY: R. KEMP DATE: 2001/12/05 CHECKED BY: R. KEMP DATE: 2003/10/07 APPROVED BY: L. ROTHHAUS DATE: 2003/10/17	TITLE: 5.08/200 SINGLE ROW EUROSTYLE HEADER ASSEMBLY MOLEX INCORPORATED DOCUMENT NO. SD-39980-006 SHEET NO. 1 OF 1
	DRAFT WHERE APPLICABLE MUST REMAIN WITHIN DIMENSIONS	SEE CHART	THIS DRAWING CONTAINS INFORMATION THAT IS PROPRIETARY TO MOLEX INCORPORATED AND SHOULD NOT BE USED WITHOUT WRITTEN PERMISSION				
	REV	DESCRIPTION					

ITEM	QTY.	DESCRIPTION	MATERIAL	FINISH
3	XX	HEADER PIN GOLD	BRASS	GOLD
2	XX	HEADER PIN	BRASS	TIN
1	1	INSULATOR	NYLON	BLACK