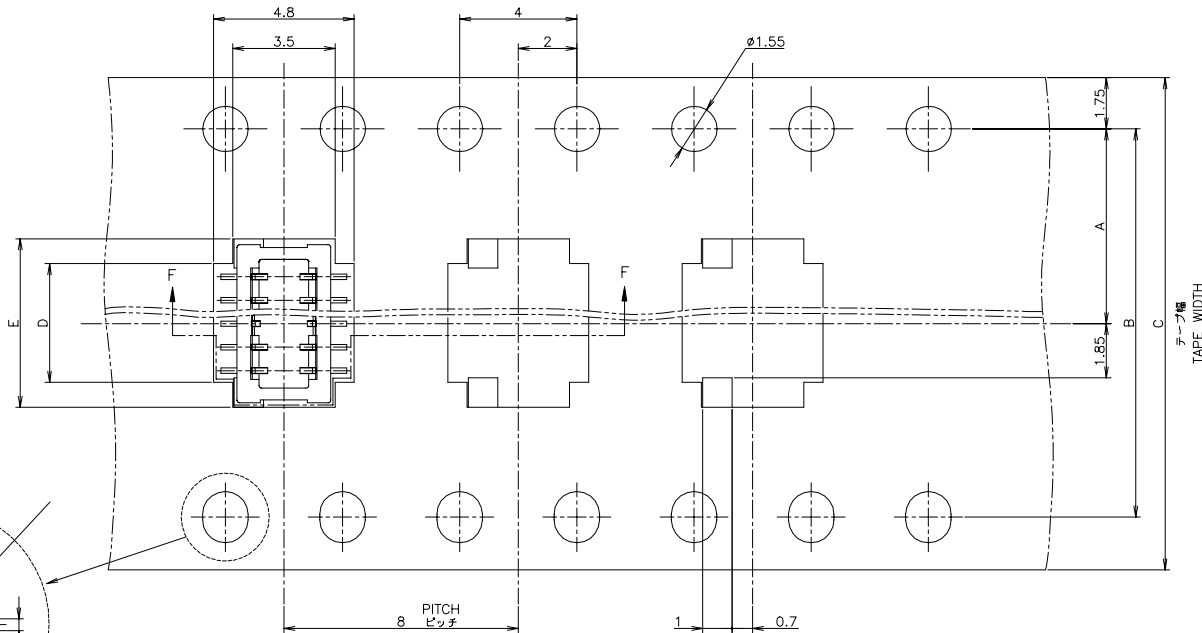
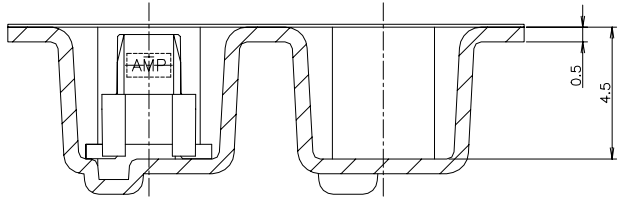
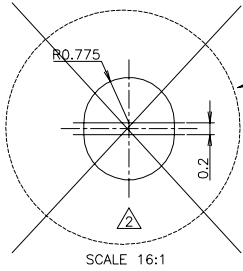


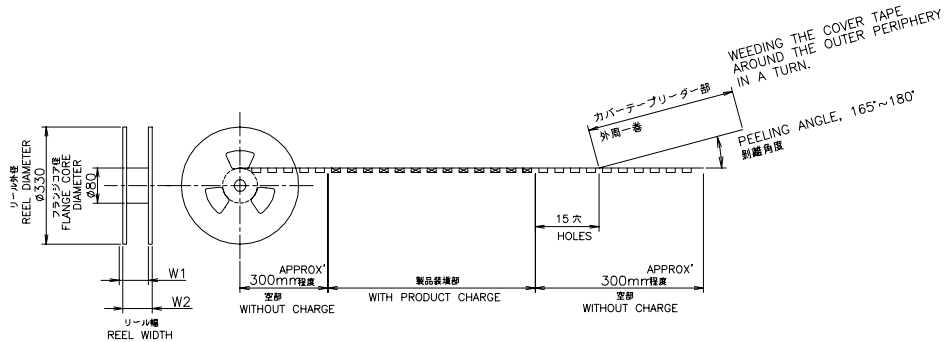
REVISIONS					
P	LTR	DESCRIPTION	DATE	DWN	APVD
G1		REVISED PER ECO-21-004618	12MAR2021	A.L	H.L



1 包装規格: 107-5142-1
 △指示穴は 48 極品のみは適用。
 1 PACKAGING SPEC: 107-5142-1
 △ THESE HOLES ARE APPLIED TO 48 POS. ONLY.



TOP OF REEL
 引出し方向 →



OBSOLETE	-37	34	20.9	19.2	32	28.4	14.2	1500	48	4	179208-8
OBSOLETE	29	26	13.7	12.0	24	#	11.5	1500	30	3	179208-0
OBSOLETE	-21	18	9.7	8.0	16	#	7.5	1500	20	2	179208-0
	21	18	8.9	7.2	16	#	7.5	1500	18	1	179208-8
	21	18	8.1	6.4	16	#	7.5	1500	16	1	179208-6
OBSOLETE	-21	18	7.3	5.6	16	#	7.5	1500	14	1	179208-4
	W2	W1	E	D	C	B	A	数量(ヶ) QTY/REEL	極数 POS	リール巻 コネクタ型番 TAPING P/N	

GENERAL TOLERANCE
 一般公差
 10 ≥ : ±0.2
 30 > 10: ±0.25
 100 ≥ > 30: ±0.3
 ANGLES : ±3°

THIS DRAWING IS A CONTROLLED DOCUMENT.

DWG: K.ASAKAWA 27JUL1993
 CHK: S.KUBOUCHI 27JUL1993
 APVD: S.KUBOUCHI 22OCT1998

TE Connectivity Ltd.

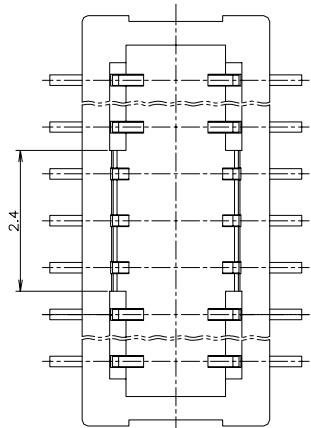
ON TAPING EMBOSS
 PLUG ASSEMBLY WITHOUT BOSS
 0.8mm PITCH BTB CONN Au PLATED

SIZE: A2 CAGE CODE: 00779 DRAWING NO: 179208
 WEIGHT: 0.17g

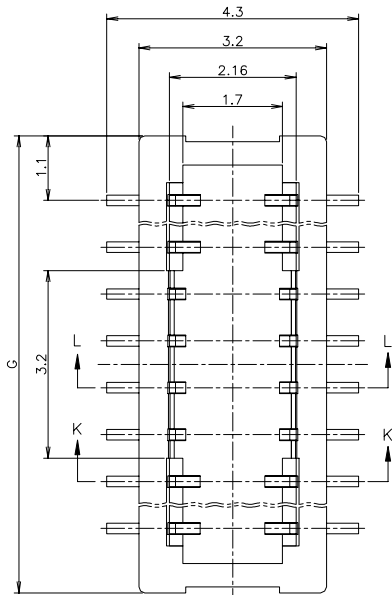
CUSTOMER DRAWING

SCALE: 8:1 SHEET: 1 of 2 REV: G1

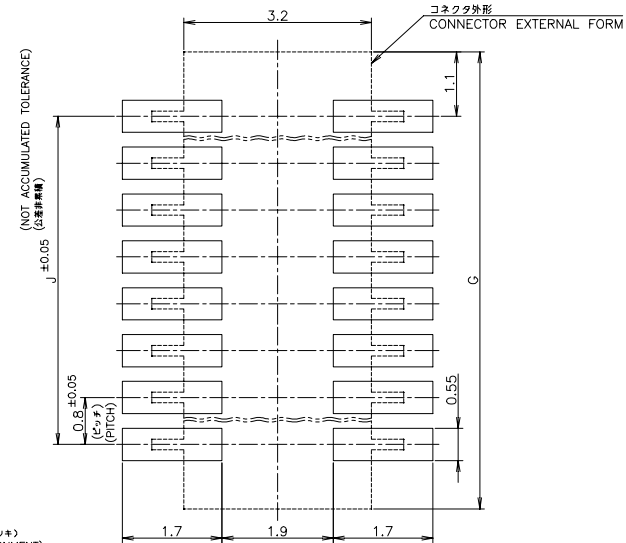
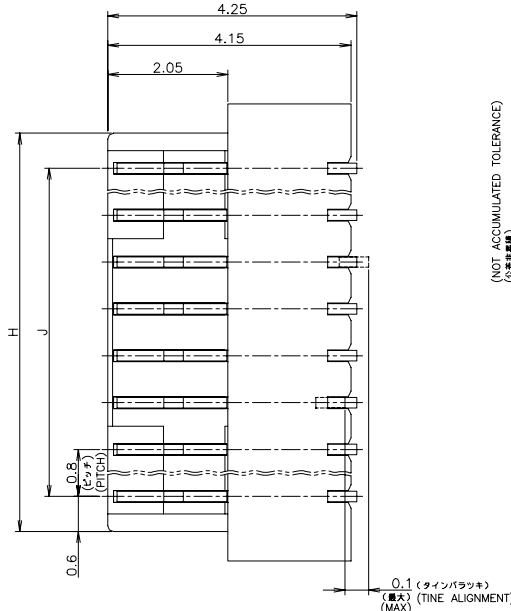
REVISIONS					
P	LTR	DESCRIPTION	DATE	DWN	APVD
-	-	SEE SHEET 1	-	-	-



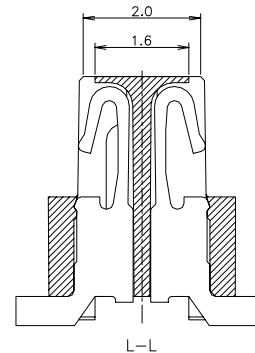
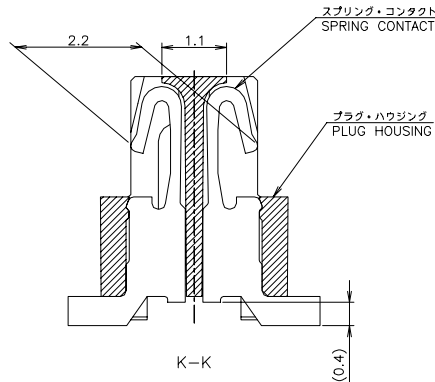
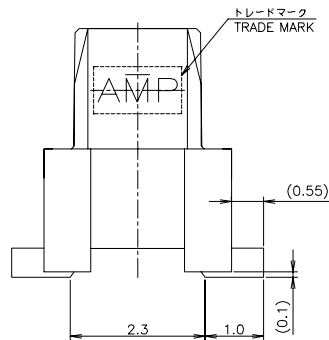
14, 18, 30 極 (n: 奇数)
14, 18, 30 POS (n: ODD NUMBER)



16, 20, 24, 28, 32, 36, 40, 44, 48 極 (n: 偶数)
16, 20, 24, 28, 32, 36, 40, 44, 48 POS (n: EVEN NUMBER)



参考基板加工寸法
REFERENCE P.C. BOARD LAYOUT



重量 (g) WEIGHT	J	H	G	n	極数 POS
-0.433	18.4	19.6	20.6	24	48
-0.277	11.2	12.4	13.4	15	30
-0.190	7.2	8.4	9.4	10	20
0.172	6.4	7.6	8.6	9	18
0.155	5.6	6.8	7.8	8	16
-0.137	4.8	6.0	7.0	7	14

- 3 材料: ハウジング - 6T NYLON (高耐熱性ナイロン) ガラス30%
色: 乳白色
コンタクト - 端青銅 / デュラゴールドめっき, ニッケル下地めっき
4 嵌合相手製品型番: 179209 (キャップ・アセンブリ 垂直型 ボス付)
316738 (キャップ・アセンブリ 水平型)

- 3 MATERIAL: HOUSING - 6T NYLON (HIGH HEAT-RESISTED NYLON) GF30%
COLOR: MILK WHITE
CONTACT - ALL DURAGOLD PLT OVER
ALL NICKEL PLT / PHOS-BROZ.
4 MATING COUNTER PART NUMBER: 179209 (CAP ASSY V-TYPE WITH BOSS)
316738 (CAP ASSY H-TYPE)

THIS DRAWING IS A CONTROLLED DOCUMENT.

DIMENSIONS: 単位: 尺 mm	TOLERANCES UNLESS OTHERWISE SPECIFIED: 公差: 0 PLC ± 0.25 1 PLC ± 0.25 2 PLC ± 0.25 3 PLC ± 0.25 4 PLC ± 0.25 ANGLES 寸上	DWN CHK APVD PRODUCT SPEC 製品規格 APPLICATION SPEC 取付適用規格 WEIGHT CUSTOMER DRAWING	TE Connectivity Ltd. ON TAPING EMBOSS PLUG ASSEMBLY WITHOUT BOSS 0.8mm PITCH BTB CONN Au PLATED SIZE A2 CAGE CODE 00779 DRAWING NO. 179208 RESTRICTED TO SCALE 16:1 SHEET 2 of 2 REV G1
----------------------------	--	--	--