

6

5

4

3

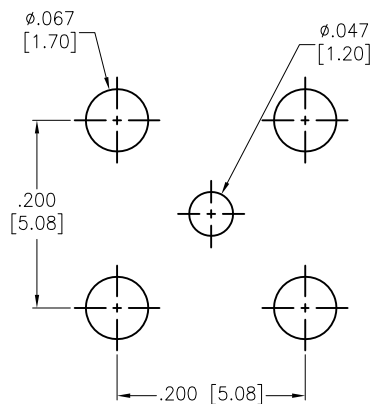
2

1

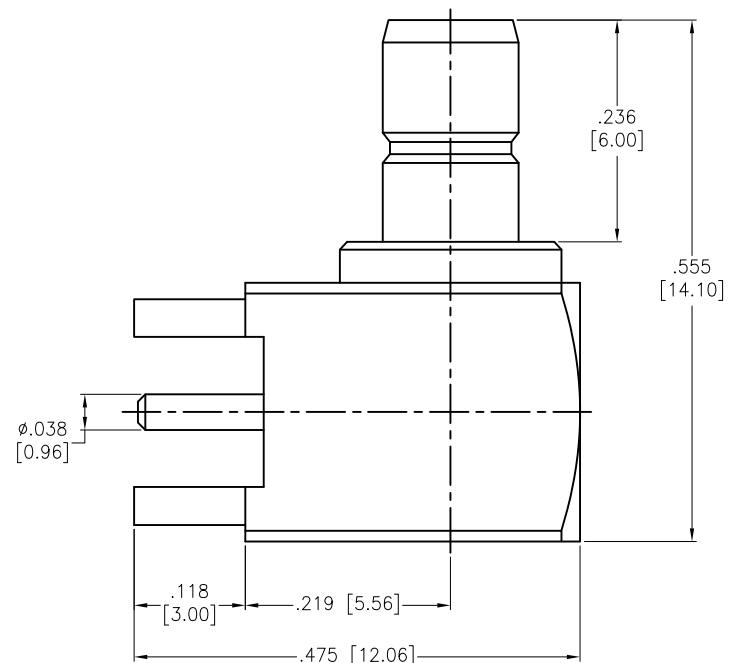
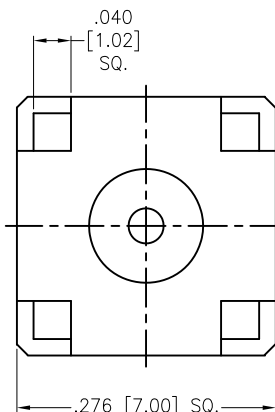
APPROVED: _____

DATE: _____ TITLE: _____

Rev	AWO #	Description	Date	Appr
-		RELEASED	5/18/16	



RECOMMENDED PCB LAYOUT



INSULATOR	PTFE	WHITE
HOUSING	BRASS	GOLD
CONTACT PIN	BRASS	GOLD
INSULATOR	PTFE	WHITE
BODY	BRASS	GOLD
DESCRIPTION	MATERIAL	FINISH

SPECIFICATIONS:

Electrical:
 Nominal Impedance: 50 ohms
 Frequency range: DC-4 GHz
 Working Voltage: 335 VOLTS max
 Proof Voltage: 1,000 VOLTS
 Temperature Rating:
 Operating temperature: -65°C to +165°C
 Environmental:
 Lead free, RoHS compliant.



UNLESS OTHERWISE SPECIFIED
 ALL DIMENSIONS ARE INCHES [MM]
 TOLERANCES: EXCEPT AS NOTED
 INCHES HOLES

.X	± .10	Ø.X	± .10
.XX	± .020	Ø.XX	± .015
.XXX	± .015	Ø.XXX	± .010

ADAM TECH
 909 Rahway Avenue, Union, NJ 07083
 Phone: 908-687-5000 Fax: 908-687-5710

APPROVALS		DATE
DRAWN	HR	5/18/16
CHECKED	LW	5/18/16
APPROVED		

TITLE		
SMB JACK R/A PCB MOUNT		
SIZE	PART NO.	REV.
X	RF3-46-T-00-50-G	-
REF:	S00277T	SCALE: NTS SHEET 1 OF 1

6

5

4

3

2

1