

ULN2803C Darlington Transistor Array

1 Features

- 500-mA-rated collector current (single output)
- High-voltage outputs: 50 V
- Output clamp diodes
- Inputs compatible with various types of logic

2 Applications

- [Factory automation and control](#)
- [Building automation](#)
- [Appliances](#)
- [IP network camera](#)
- [HVAC valve & actuator control](#)
- Relay, solenoid, and lamp driving
- Stepper motor driving

3 Description

The ULN2803C device is a 50-V, 500-mA Darlington transistor array. The device consists of eight NPN Darlington pairs that feature high-voltage outputs with common-cathode clamp diodes for switching inductive loads. The collector-current rating of each Darlington pair is 500 mA. The Darlington pairs can be connected in parallel for higher current capability.

Applications include relay drivers, hammer drivers, lamp drivers, display drivers (LED and gas discharge), line drivers, and logic buffers. The ULN2803C device has a 2.7-kΩ series base resistor for each Darlington pair for operation directly with TTL or 5-V CMOS devices.

Package Information⁽¹⁾

PART NUMBER	PACKAGE	BODY SIZE (NOM)
ULN2803CDW	DW (SOIC, 20)	12.80 mm × 7.50 mm

(1) For all available packages, see the orderable addendum at the end of the data sheet.

Logic Diagram

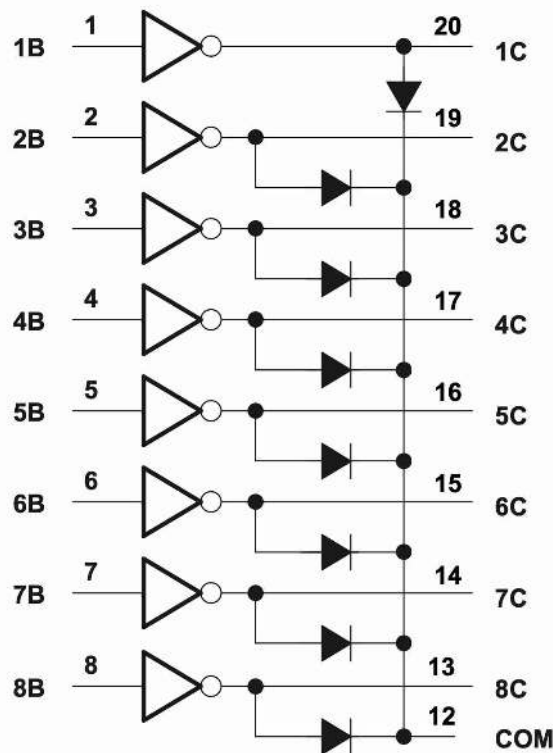


Table of Contents

1 Features	1	8.2 Functional Block Diagram.....	10
2 Applications	1	8.3 Feature Description.....	10
3 Description	1	8.4 Device Functional Modes.....	10
4 Revision History	2	9 Application and Implementation	11
5 Pin Configuration and Functions	3	9.1 Application Information.....	11
6 Specifications	4	9.2 Typical Application.....	11
6.1 Absolute Maximum Ratings.....	4	9.3 Power Supply Recommendations.....	13
6.2 ESD Ratings.....	4	9.4 Layout.....	13
6.3 Recommended Operating Conditions.....	4	10 Device and Documentation Support	15
6.4 Thermal Information.....	4	10.1 Receiving Notification of Documentation Updates..	15
6.5 Electrical Characteristics.....	5	10.2 Support Resources.....	15
6.6 Switching Characteristics.....	5	10.3 Trademarks.....	15
6.7 Typical Characteristics.....	6	10.4 Electrostatic Discharge Caution.....	15
7 Parameter Measurement Information	7	10.5 Glossary.....	15
8 Detailed Description	10	11 Mechanical, Packaging, and Orderable Information	15
8.1 Overview.....	10		

4 Revision History

NOTE: Page numbers for previous revisions may differ from page numbers in the current version.

DATE	REVISION	NOTES
August 2022	*	Initial release.

5 Pin Configuration and Functions

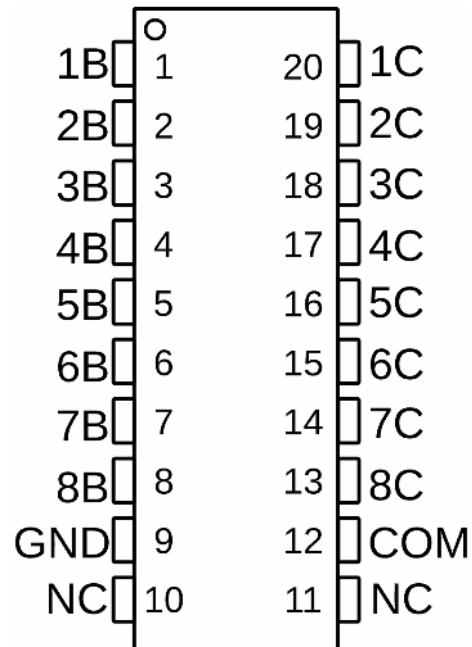


Figure 5-1. DW Package 20-Pin SOIC Top View

Table 5-1. Pin Functions

PIN		TYPE	DESCRIPTION
NAME	NO.		
1B	1	I	Channel 1 through 8 Darlington base input
2B	2		
3B	3		
4B	4		
5B	5		
6B	6		
7B	7		
8B	8		
1C	20	O	Channel 1 through 8 Darlington collector output
2C	19		
3C	18		
4C	17		
5C	16		
6C	15		
7C	14		
8C	13		
GND	9	—	Common emitter shared by all channels (typically tied to ground)
COM	12	I/O	Common cathode node for flyback diodes (required for inductive loads)
NC	10, 11	—	No connect pin

6 Specifications

6.1 Absolute Maximum Ratings

at 25°C free-air temperature (unless otherwise noted)⁽¹⁾

		MIN	MAX	UNIT
V _{CE}	Collector-emitter voltage		50	V
V _I	Input voltage ⁽²⁾		30	V
	Peak collector current		500	mA
I(clamp)	Output clamp current		500	mA
	Total substrate-terminal current		-2.5	A
T _J	Junction temperature	-65	150	°C
T _{stg}	Storage temperature	-65	150	°C

- (1) Operation outside the Absolute Maximum Ratings may cause permanent device damage. Absolute Maximum Ratings do not imply functional operation of the device at these or any other conditions beyond those listed under Recommended Operating Conditions. If used outside the Recommended Operating Conditions but within the Absolute Maximum Ratings, the device may not be fully functional, and this may affect device reliability, functionality, performance, and shorten the device lifetime.
- (2) All voltage values, unless otherwise noted, are with respect to the emitter/substrate terminal GND.

6.2 ESD Ratings

			VALUE	UNIT
V _(ESD)	Electrostatic discharge	Human body model (HBM), per ANSI/ESDA/JEDEC JS-001 ⁽¹⁾	±2000	V
		Charged device model (CDM), per ANSI/ESDA/ JEDEC JS-002 ⁽²⁾	±500	

- (1) JEDEC document JEP155 states that 500-V HBM allows safe manufacturing with a standard ESD control process.
- (2) JEDEC document JEP157 states that 250-V CDM allows safe manufacturing with a standard ESD control process.

6.3 Recommended Operating Conditions

over operating free-air temperature range (unless otherwise noted)

		MIN	MAX	UNIT
V _{CE}	Collector-emitter voltage	0	50	V
T _A	Ambient temperature	-40	85	°C

6.4 Thermal Information

	THERMAL METRIC ⁽¹⁾	ULN2803C	UNIT
		DW (SOIC)	
		20 PINS	
R _{θJA}	Junction-to-ambient thermal resistance	68.8	°C/W
R _{θJC(top)}	Junction-to-case (top) thermal resistance	34.3	°C/W
R _{θJB}	Junction-to-board thermal resistance	37.5	°C/W
Ψ _{JT}	Junction-to-top characterization parameter	10.7	°C/W
Ψ _{JB}	Junction-to-board characterization parameter	37.0	°C/W
R _{θJC(bot)}	Junction-to-case (bottom) thermal resistance	N/A	°C/W

- (1) For more information about traditional and new thermal metrics, see the [Semiconductor and IC Package Thermal Metrics](#) application report.

6.5 Electrical Characteristics

at $T_A = 25^\circ\text{C}$ free-air temperature (unless otherwise noted)

PARAMETER		TEST CONDITIONS		ULN2803C			UNIT
				MIN	TYP	MAX	
I_{CEX}	Collector cutoff current	$V_{CE} = 50\text{ V}$, see Figure 7-1	$I_I = 0$			50	μA
$I_{I(off)}$	Off-state input current	$V_{CE} = 50\text{ V}$, $T_A = 70^\circ\text{C}$	$I_C = 500\ \mu\text{A}$, see Figure 7-2	50	65		μA
$I_{I(on)}$	Input current	$V_I = 3.85\text{ V}$,	See Figure 7-3	0.93	1.35		mA
$V_{I(on)}$	On-state input voltage	$V_{CE} = 2\text{ V}$, see Figure 7-4	$I_C = 200\text{ mA}$			2.4	V
			$I_C = 250\text{ mA}$			2.7	
			$I_C = 300\text{ mA}$			3	
$V_{CE(sat)}$	Collector-emitter saturation voltage		$I_I = 250\ \mu\text{A}$, see Figure 7-5	$I_C = 100\text{ mA}$	0.9	1.1	V
			$I_I = 350\ \mu\text{A}$, see Figure 7-5	$I_C = 200\text{ mA}$	1	1.3	
			$I_I = 500\ \mu\text{A}$, see Figure 7-5	$I_C = 350\text{ mA}$	1.3	1.6	
I_R	Clamp diode reverse current	$V_R = 50\text{ V}$,	see Figure 7-6			50	μA
V_F	Clamp diode forward voltage	$I_F = 350\text{ mA}$	see Figure 7-7	1.7	2		V
C_i	Input capacitance	$V_I = 0$,	$f = 1\text{ MHz}$	15	25		pF

6.6 Switching Characteristics

$T_A = 25^\circ\text{C}$

PARAMETER		TEST CONDITIONS		MIN	TYP	MAX	UNIT
t_{PLH}	Propagation delay time, low- to high-level output	$V_S = 50\text{ V}$, $C_L = 15\text{ pF}$, $R_L = 163\ \Omega$, See Figure 7-8			130		ns
t_{PHL}	Propagation delay time, high- to low-level output				20		
V_{OH}	High-level output voltage after switching	$V_S = 50\text{ V}$, $I_O = 300\text{ mA}$, see Figure 7-9		$V_S - 20$			mV

6.7 Typical Characteristics

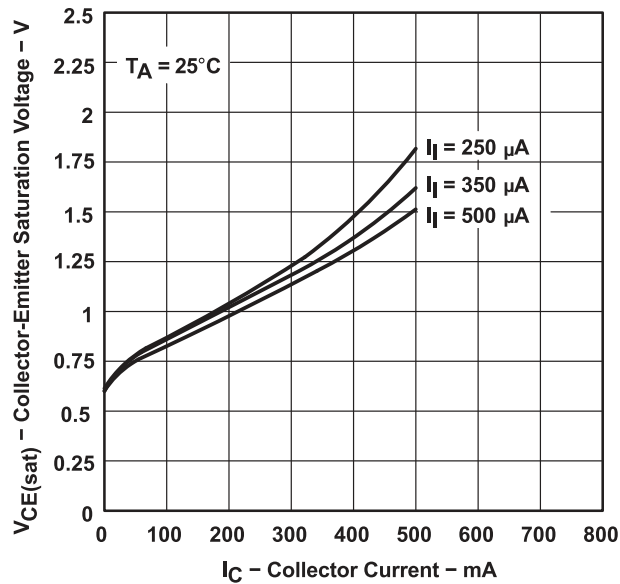


Figure 6-1. Collector-Emitter Saturation Voltage vs Collector Current (One Darlington)

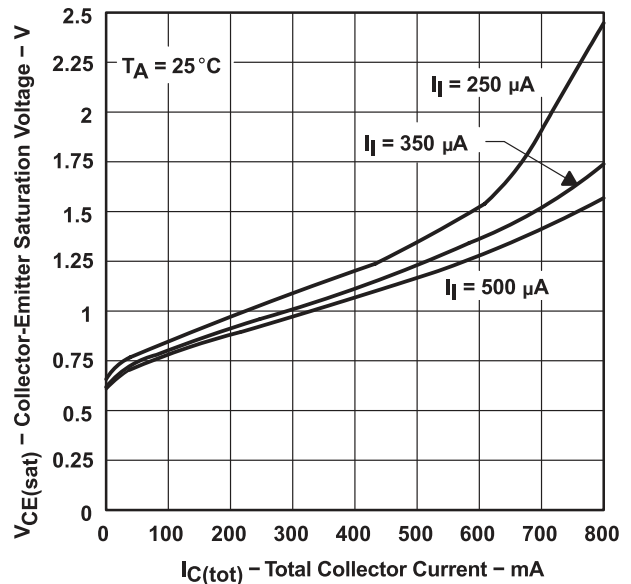


Figure 6-2. Collector-Emitter Saturation Voltage vs Total Collector Current (Two Darlington in Parallel)

7 Parameter Measurement Information

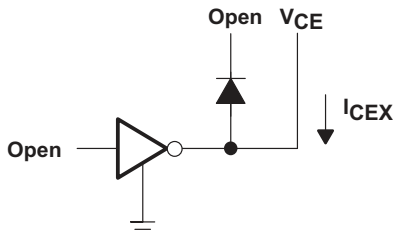


Figure 7-1. I_{CEX} Test Circuit

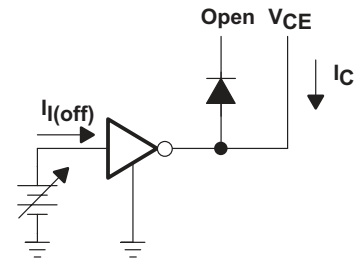


Figure 7-2. $I_{I(off)}$ Test Circuit

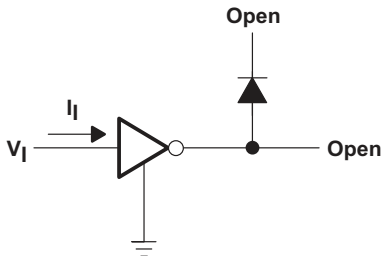


Figure 7-3. $I_{I(on)}$ Test Circuit

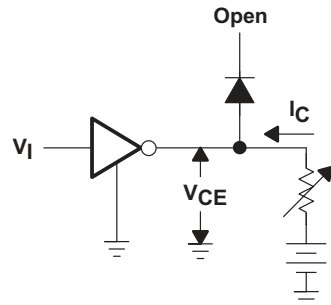


Figure 7-4. $V_{I(on)}$ Test Circuit

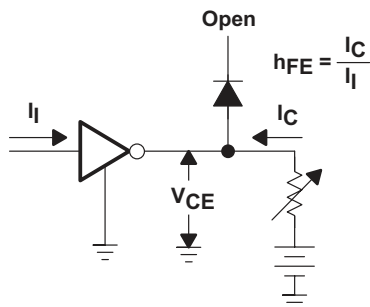


Figure 7-5. h_{FE} , $V_{CE(sat)}$ Test Circuit

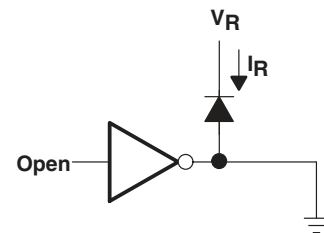


Figure 7-6. I_R Test Circuit

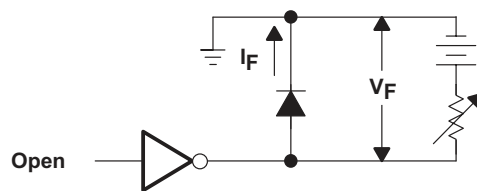
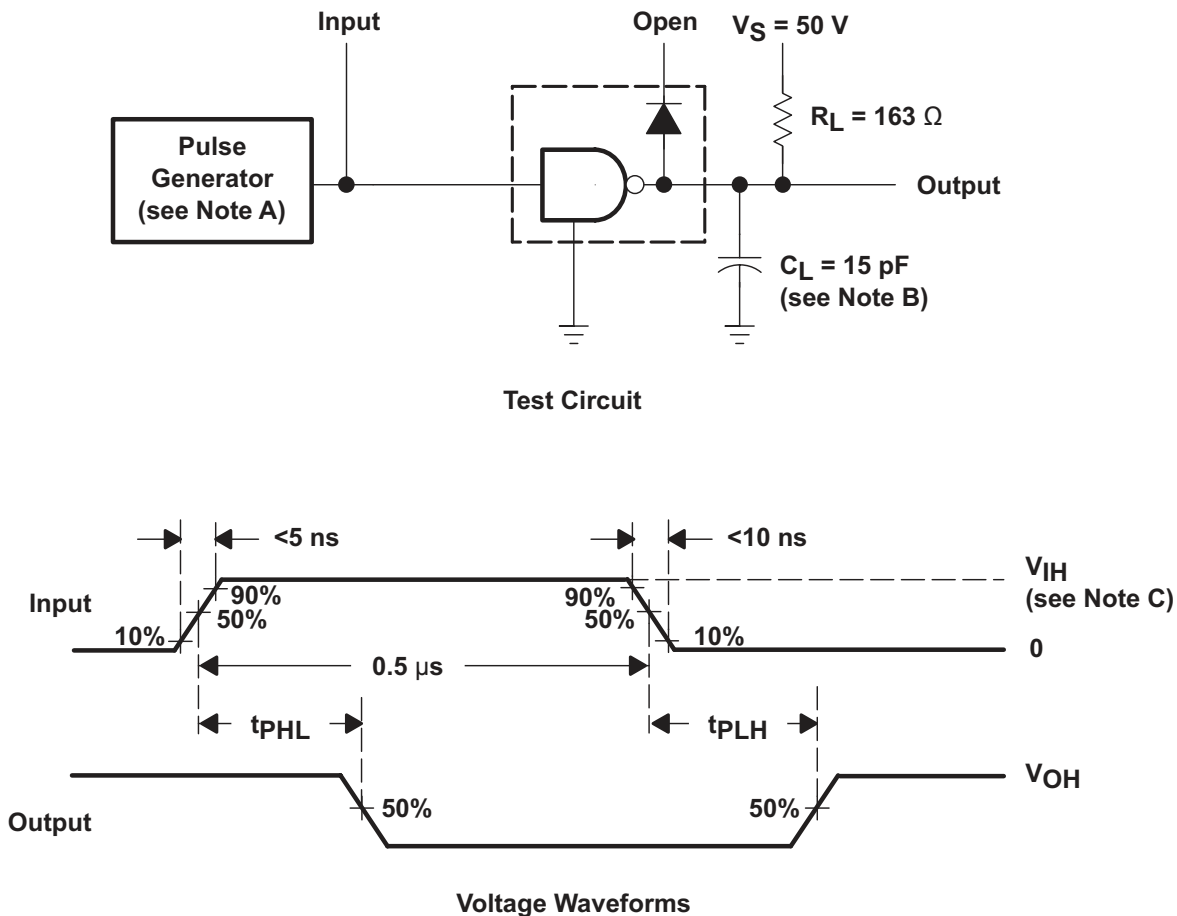
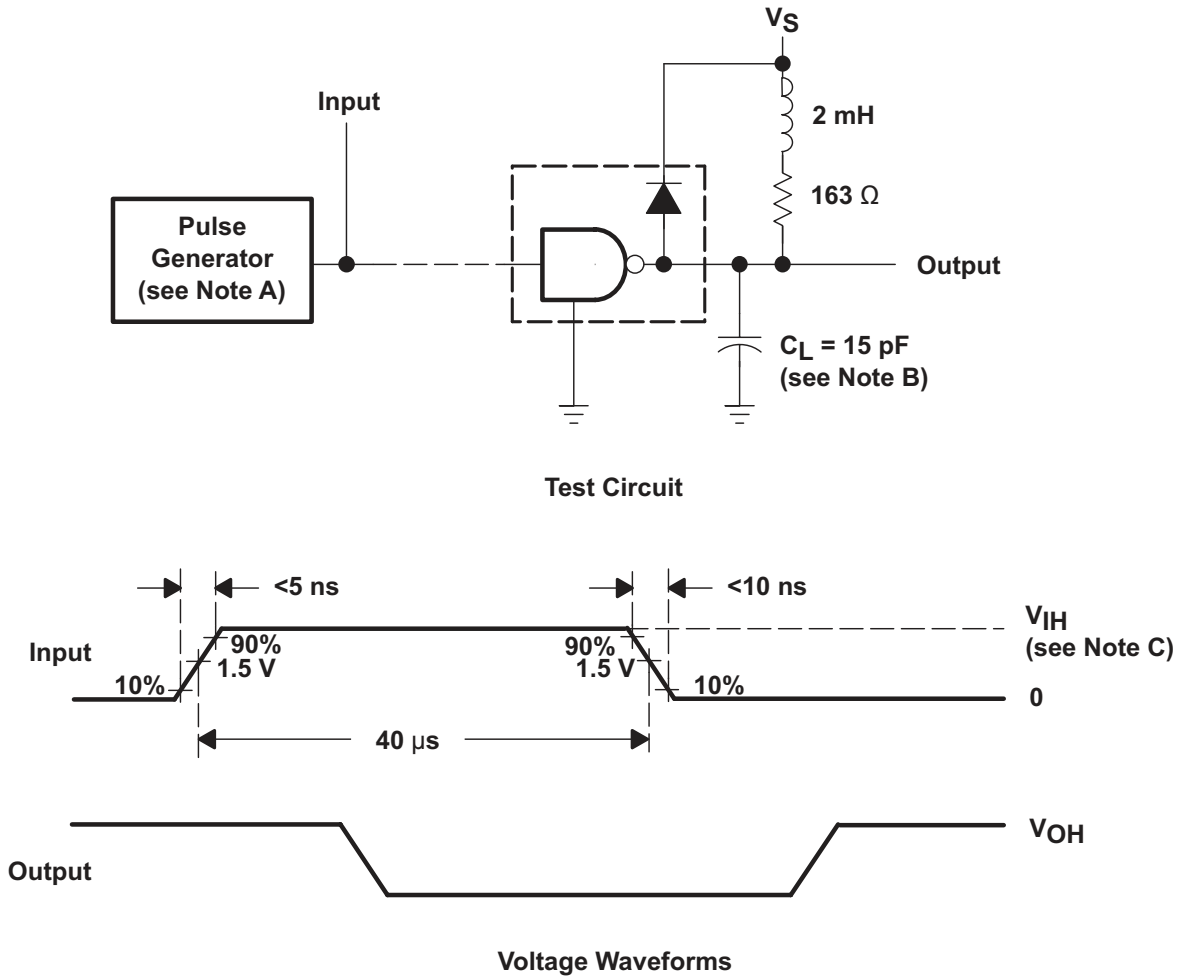


Figure 7-7. V_F Test Circuit



- A. The pulse generator has the following characteristics: PRR = 12.5 kHz, $Z_O = 50 \Omega$.
- B. C_L includes probe and jig capacitance.
- C. $V_{IH} = 3 \text{ V}$.

Figure 7-8. Propagation Delay Times



- A. The pulse generator has the following characteristics: PRR = 12.5 kHz, $Z_O = 50 \Omega$.
- B. C_L includes probe and jig capacitance.
- C. $V_{IH} = 3$ V.

Figure 7-9. Latch-Up Test

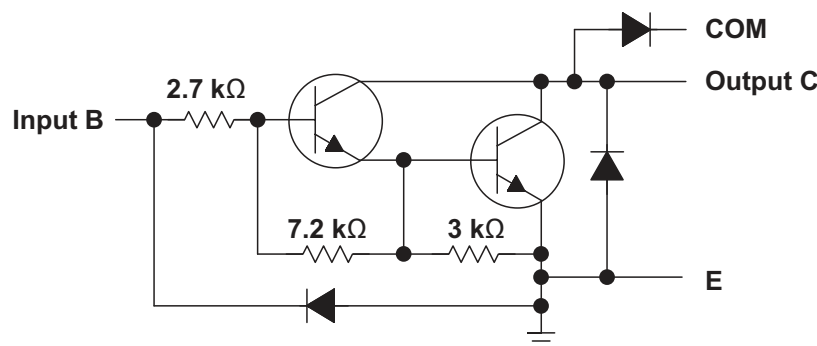
8 Detailed Description

8.1 Overview

This standard device has proven ubiquity and versatility across a wide range of applications. This feature is due to its integration of eight Darlington transistors that are capable of sinking up to 500 mA and wide GPIO range capability.

The ULN2803C is comprised of eight high voltage, high current NPN Darlington transistor pairs. All units feature a common emitter and open collector outputs. To maximize their effectiveness, these units contain suppression diodes for inductive loads. The ULN2803C has a series base resistor to each Darlington pair, thus allowing operation directly with TTL or CMOS operating at supply voltages of 5 V or 3.3 V. The ULN2803C offers solutions to a great many interface needs, including solenoids, relays, lamps, small motors, and LEDs. Applications requiring sink currents beyond the capability of a single output can be accommodated by paralleling the outputs.

8.2 Functional Block Diagram



8.3 Feature Description

Each channel of ULN2803C consists of Darlington connected NPN transistors. This connection creates the effect of a single transistor with a very-high current gain. The very high β allows for high output current drive with a very-low input current, essentially equating to operation with low GPIO voltages.

The GPIO voltage is converted to base current through the 2.7-k Ω resistor connected between the input and base of the predriver Darlington NPN.

The diodes connected between the output and COM pin are used to suppress the kickback voltage from an inductive load that is excited when the NPN drivers are turned off (stop sinking) and the stored energy in the coils causes a reverse current to flow into the coil supply through the kickback diode.

In normal operation, the diodes on base and collector pins to emitter are reverse biased. If these diodes are forward biased, internal parasitic NPN transistors draw (a nearly equal) current from other (nearby) device pins.

8.4 Device Functional Modes

8.4.1 Inductive Load Drive

When the COM pin is tied to the coil supply voltage, ULN2803C can drive inductive loads and suppress the kickback voltage through the internal free wheeling diodes.

8.4.2 Resistive Load Drive

When driving resistive loads, COM can be left unconnected or connected to the load voltage supply. If multiple supplies are used, connect to the highest voltage supply.

9 Application and Implementation

Note

Information in the following applications sections is not part of the TI component specification, and TI does not warrant its accuracy or completeness. TI's customers are responsible for determining suitability of components for their purposes, as well as validating and testing their design implementation to confirm system functionality.

9.1 Application Information

ULN2803C is typically used to drive a high-voltage or current peripherals from an MCU or logic device that cannot tolerate these conditions. The following design is a common application of ULN2803C, driving inductive loads. This includes motors, solenoids, and relays. Each load type can be modeled by what is seen in [Figure 9-1](#).

9.2 Typical Application

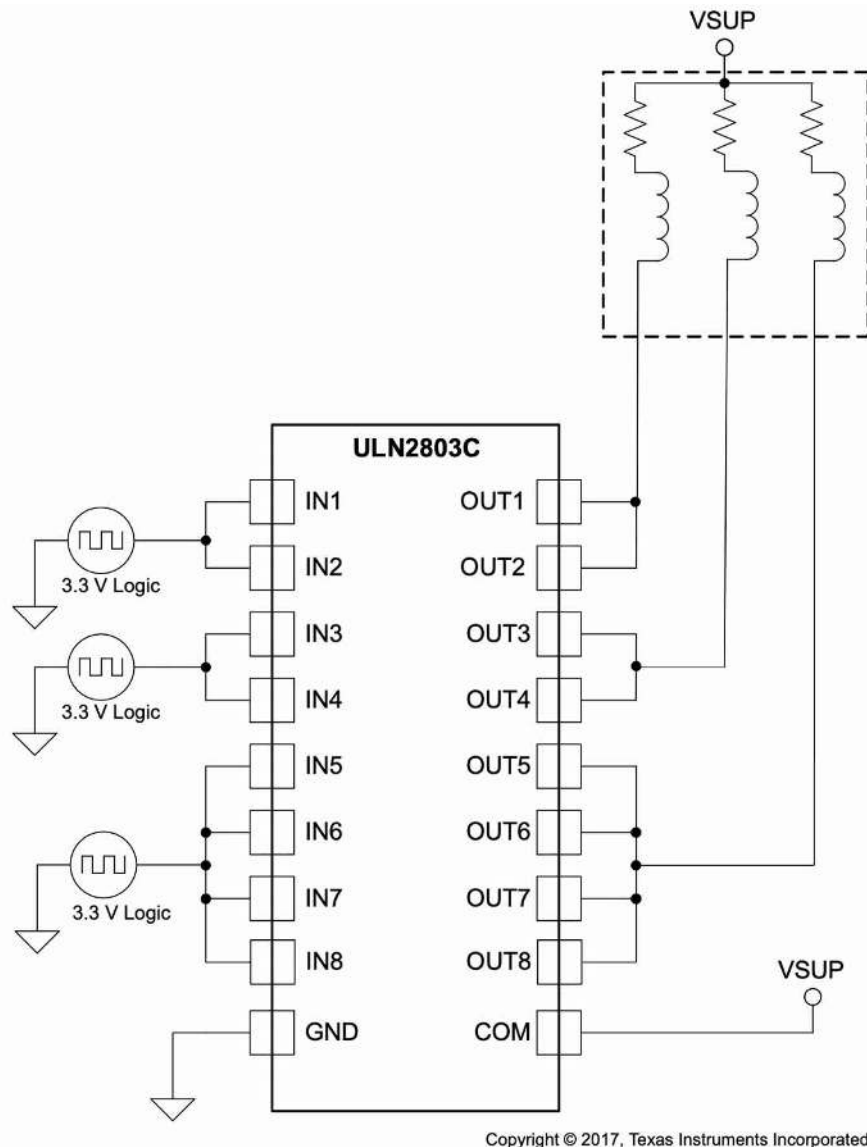


Figure 9-1. ULN2803C as Inductive Load Driver

9.2.1 Design Requirements

For this design example, use the parameters listed in [Table 9-1](#) as the input parameters.

Table 9-1. Design Parameters

DESIGN PARAMETER	EXAMPLE VALUE
GPIO voltage	3.3 or 5 V
Coil supply voltage	12 to 50 V
Number of channels	8
Output current (R_{COIL})	20 to 300 mA per channel
Duty cycle	100%

9.2.2 Detailed Design Procedure

When using ULN2803C in a coil driving application, determine the following:

- Input voltage range
- Temperature range
- Output and drive current
- Power dissipation

9.2.2.1 Drive Current

The coil current is determined by the coil voltage (V_{SUP}), coil resistance, and output low voltage (V_{OL} or $V_{CE(SAT)}$).

$$I_{COIL} = (V_{SUP} - V_{CE(SAT)}) / R_{COIL} \quad (1)$$

9.2.2.2 Output Low Voltage

The output low voltage (V_{OL}) is the same thing as $V_{CE(SAT)}$ and can be determined by [Figure 6-1](#), [Figure 6-2](#), or [Electrical Characteristics](#).

9.2.2.3 Power Dissipation and Temperature

The number of coils driven is dependent on the coil current and on-chip power dissipation. To determine the number of coils possible, use [Equation 2](#) to calculate ULN2803C on-chip power dissipation P_D .

$$P_D = \sum_{i=1}^N V_{OLi} \times I_{Li} \quad (2)$$

where

- N is the number of channels active together.
- V_{OLi} is the OUT_i pin voltage for the load current I_{Li} . This is the same as $V_{CE(SAT)}$.

To ensure the reliability of ULN2803C and the system, the on-chip power dissipation must be lower than or equal to the maximum allowable power dissipation (P_D) dictated by [Equation 3](#).

$$PD_{(MAX)} = \frac{(T_{J(MAX)} - T_A)}{\theta_{JA}} \quad (3)$$

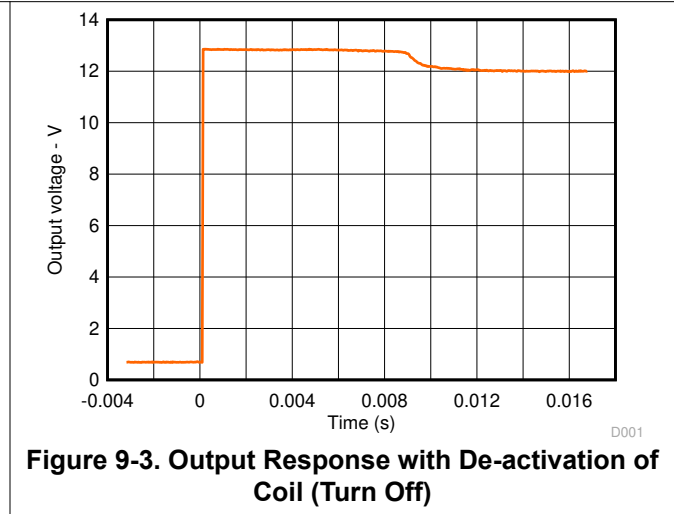
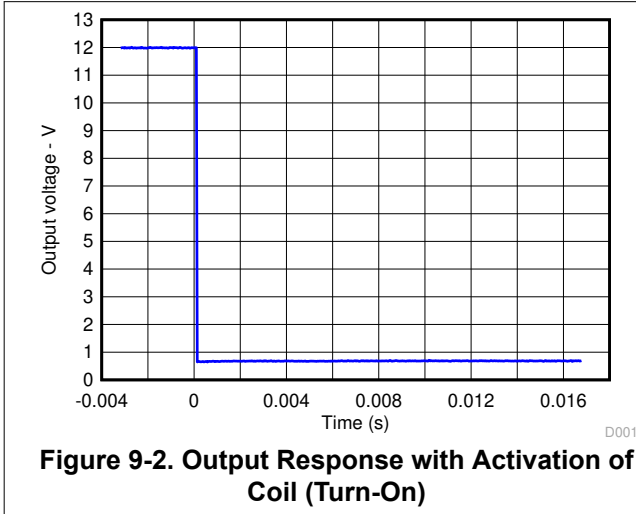
where

- $T_{J(MAX)}$ is the target maximum junction temperature.
- T_A is the operating ambient temperature.
- θ_{JA} is the package junction to ambient thermal resistance.

TI recommends to limit the ULN2803C IC die junction temperature to < 125°C. The IC junction temperature is directly proportional to the on-chip power dissipation.

9.2.3 Application Curves

The following curves are generated with ULN2803C driving an OMRON G5NB relay – $V_{in} = 5.0\text{ V}$; $V_{sup} = 12\text{ V}$ and $R_{COIL} = 2.8\text{ k}\Omega$.



9.3 Power Supply Recommendations

This device does not need a power supply; however, the COM pin is typically tied to the system power supply. With this case, make sure that the output voltage does not heavily exceed the COM pin voltage. This action can heavily forward bias the flyback diodes and cause a large current to flow into COM, potentially damaging the on-chip metal or overheating the part.

9.4 Layout

9.4.1 Layout Guidelines

Thin traces can be used on the input due to the low current logic that is typically used to drive ULN2803C. Take care to separate the input channels as much as possible, as to eliminate crosstalk. TI recommends thick traces for the output to drive high currents as desired. Wire thickness can be determined by the trace material current density and desired drive current.

Because all of the channels currents return to a common emitter, size that trace width to be very wide. Some applications require up to 2.5 A.

9.4.2 Layout Example

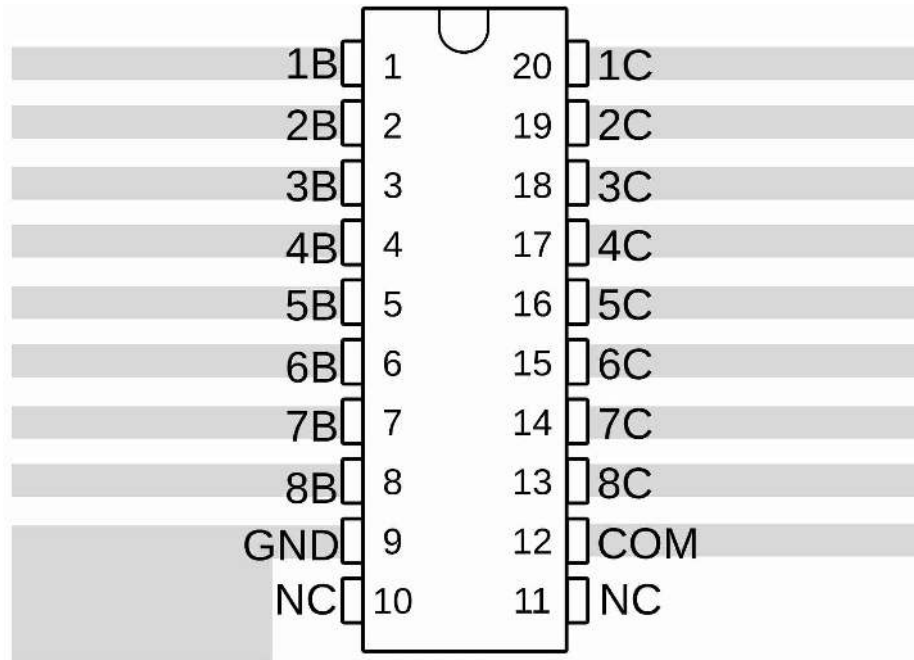


Figure 9-4. ULN2803C Layout Example

10 Device and Documentation Support

10.1 Receiving Notification of Documentation Updates

To receive notification of documentation updates, navigate to the device product folder on ti.com. Click on *Subscribe to updates* to register and receive a weekly digest of any product information that has changed. For change details, review the revision history included in any revised document.

10.2 Support Resources

[TI E2E™ support forums](#) are an engineer's go-to source for fast, verified answers and design help — straight from the experts. Search existing answers or ask your own question to get the quick design help you need.

Linked content is provided "AS IS" by the respective contributors. They do not constitute TI specifications and do not necessarily reflect TI's views; see TI's [Terms of Use](#).

10.3 Trademarks

TI E2E™ is a trademark of Texas Instruments.
All trademarks are the property of their respective owners.

10.4 Electrostatic Discharge Caution



This integrated circuit can be damaged by ESD. Texas Instruments recommends that all integrated circuits be handled with appropriate precautions. Failure to observe proper handling and installation procedures can cause damage.

ESD damage can range from subtle performance degradation to complete device failure. Precision integrated circuits may be more susceptible to damage because very small parametric changes could cause the device not to meet its published specifications.

10.5 Glossary

[TI Glossary](#) This glossary lists and explains terms, acronyms, and definitions.

11 Mechanical, Packaging, and Orderable Information

The following pages include mechanical, packaging, and orderable information. This information is the most current data available for the designated devices. This data is subject to change without notice and revision of this document. For browser-based versions of this data sheet, refer to the left-hand navigation.

PACKAGING INFORMATION

Orderable Device	Status (1)	Package Type	Package Drawing	Pins	Package Qty	Eco Plan (2)	Lead finish/ Ball material (6)	MSL Peak Temp (3)	Op Temp (°C)	Device Marking (4/5)	Samples
ULN2803CDWR	ACTIVE	SOIC	DW	20	2000	RoHS & Green	NIPDAU	Level-1-260C-UNLIM	-40 to 85	ULN2803C	Samples

(1) The marketing status values are defined as follows:

ACTIVE: Product device recommended for new designs.

LIFEBUY: TI has announced that the device will be discontinued, and a lifetime-buy period is in effect.

NRND: Not recommended for new designs. Device is in production to support existing customers, but TI does not recommend using this part in a new design.

PREVIEW: Device has been announced but is not in production. Samples may or may not be available.

OBSELETE: TI has discontinued the production of the device.

(2) **RoHS:** TI defines "RoHS" to mean semiconductor products that are compliant with the current EU RoHS requirements for all 10 RoHS substances, including the requirement that RoHS substance do not exceed 0.1% by weight in homogeneous materials. Where designed to be soldered at high temperatures, "RoHS" products are suitable for use in specified lead-free processes. TI may reference these types of products as "Pb-Free".

RoHS Exempt: TI defines "RoHS Exempt" to mean products that contain lead but are compliant with EU RoHS pursuant to a specific EU RoHS exemption.

Green: TI defines "Green" to mean the content of Chlorine (Cl) and Bromine (Br) based flame retardants meet JS709B low halogen requirements of <=1000ppm threshold. Antimony trioxide based flame retardants must also meet the <=1000ppm threshold requirement.

(3) MSL, Peak Temp. - The Moisture Sensitivity Level rating according to the JEDEC industry standard classifications, and peak solder temperature.

(4) There may be additional marking, which relates to the logo, the lot trace code information, or the environmental category on the device.

(5) Multiple Device Markings will be inside parentheses. Only one Device Marking contained in parentheses and separated by a "-" will appear on a device. If a line is indented then it is a continuation of the previous line and the two combined represent the entire Device Marking for that device.

(6) Lead finish/Ball material - Orderable Devices may have multiple material finish options. Finish options are separated by a vertical ruled line. Lead finish/Ball material values may wrap to two lines if the finish value exceeds the maximum column width.

Important Information and Disclaimer:The information provided on this page represents TI's knowledge and belief as of the date that it is provided. TI bases its knowledge and belief on information provided by third parties, and makes no representation or warranty as to the accuracy of such information. Efforts are underway to better integrate information from third parties. TI has taken and continues to take reasonable steps to provide representative and accurate information but may not have conducted destructive testing or chemical analysis on incoming materials and chemicals. TI and TI suppliers consider certain information to be proprietary, and thus CAS numbers and other limited information may not be available for release.

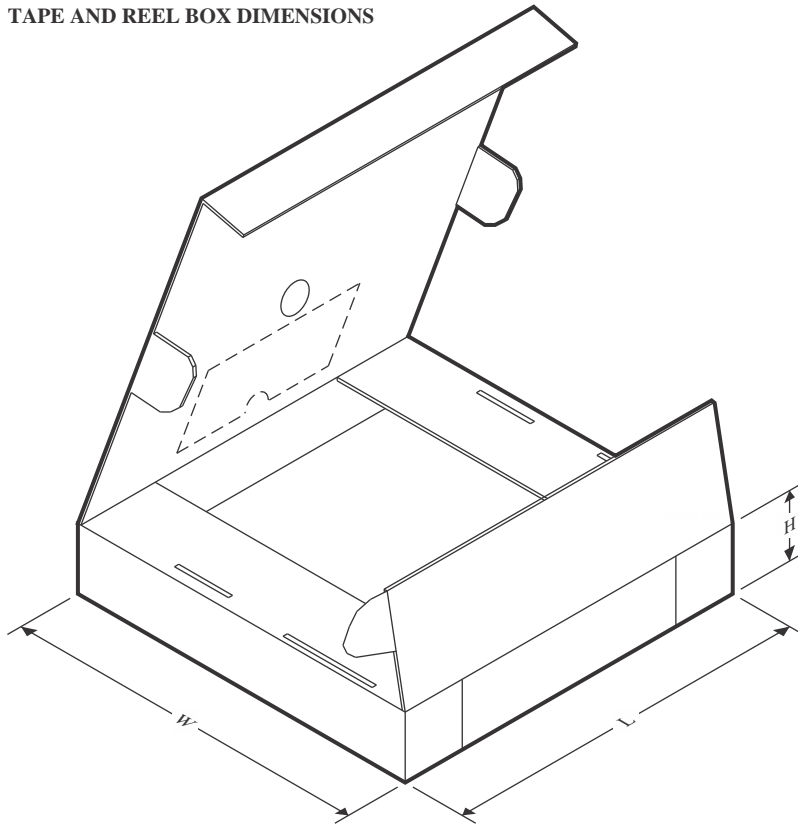
In no event shall TI's liability arising out of such information exceed the total purchase price of the TI part(s) at issue in this document sold by TI to Customer on an annual basis.

TAPE AND REEL INFORMATION

QUADRANT ASSIGNMENTS FOR PIN 1 ORIENTATION IN TAPE


*All dimensions are nominal

Device	Package Type	Package Drawing	Pins	SPQ	Reel Diameter (mm)	Reel Width W1 (mm)	A0 (mm)	B0 (mm)	K0 (mm)	P1 (mm)	W (mm)	Pin1 Quadrant
ULN2803CDWR	SOIC	DW	20	2000	330.0	24.4	10.9	13.3	2.7	12.0	24.0	Q1

TAPE AND REEL BOX DIMENSIONS


*All dimensions are nominal

Device	Package Type	Package Drawing	Pins	SPQ	Length (mm)	Width (mm)	Height (mm)
ULN2803CDWR	SOIC	DW	20	2000	356.0	356.0	41.0

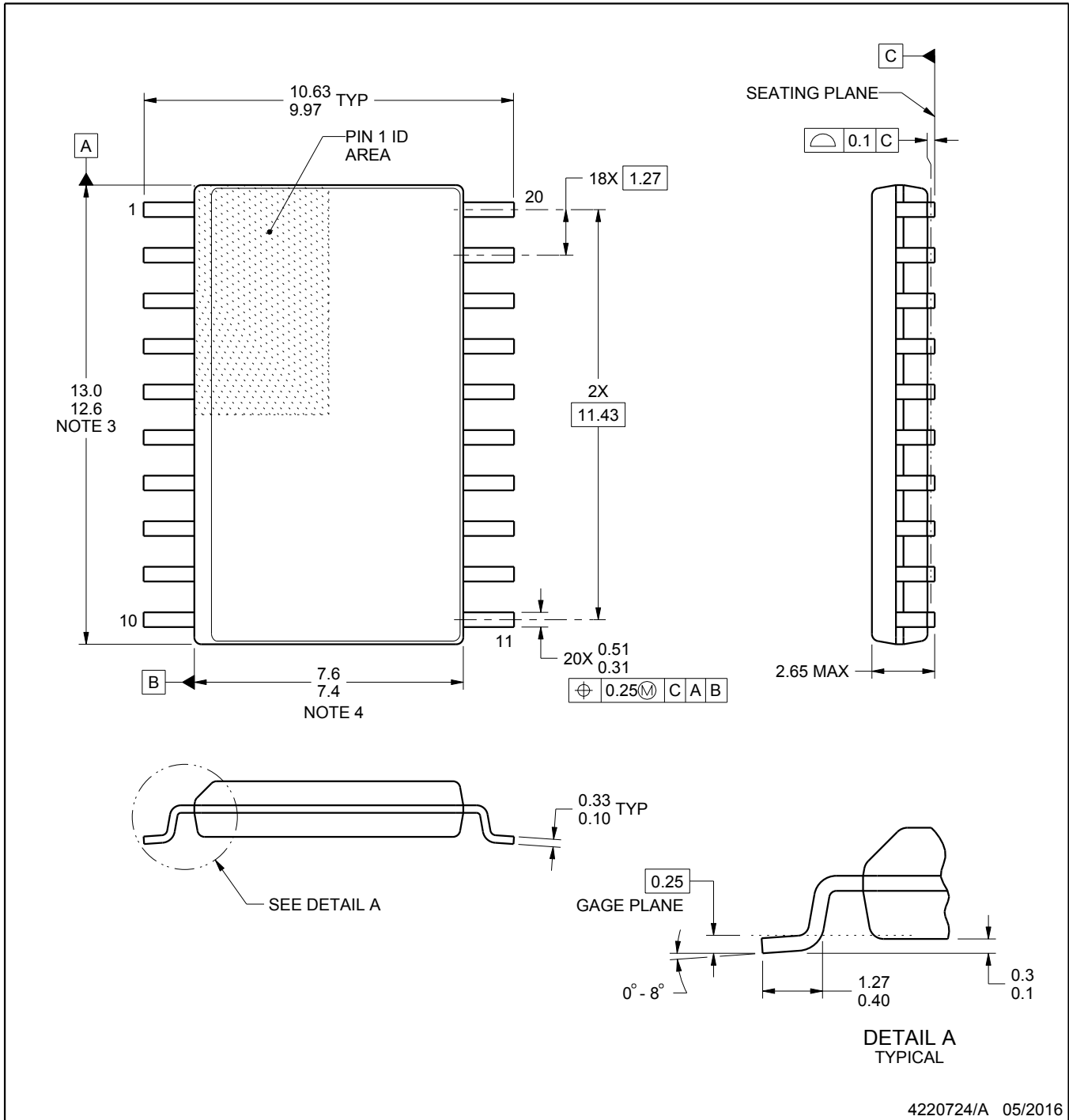
DW0020A



PACKAGE OUTLINE

SOIC - 2.65 mm max height

SOIC



4220724/A 05/2016

NOTES:

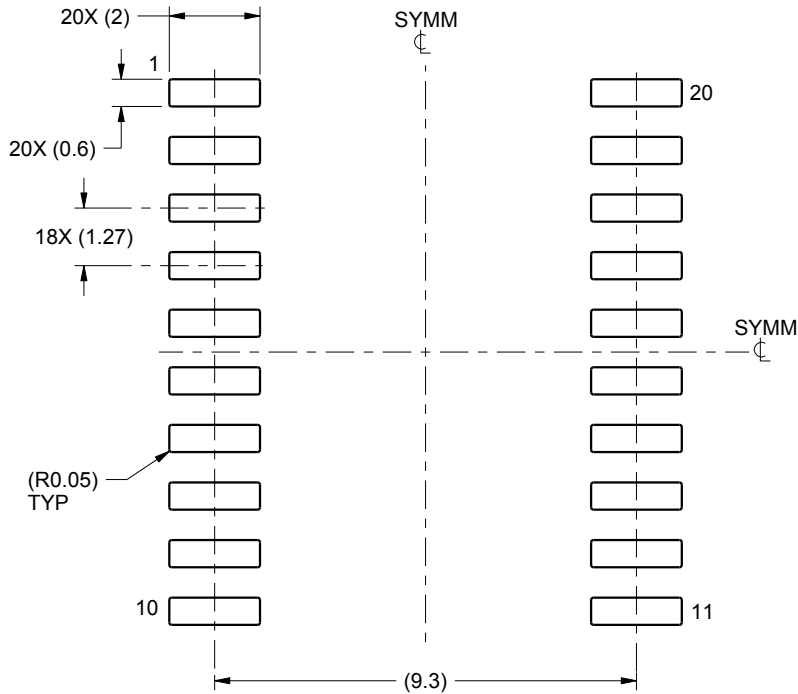
1. All linear dimensions are in millimeters. Dimensions in parenthesis are for reference only. Dimensioning and tolerancing per ASME Y14.5M.
2. This drawing is subject to change without notice.
3. This dimension does not include mold flash, protrusions, or gate burrs. Mold flash, protrusions, or gate burrs shall not exceed 0.15 mm per side.
4. This dimension does not include interlead flash. Interlead flash shall not exceed 0.43 mm per side.
5. Reference JEDEC registration MS-013.

EXAMPLE BOARD LAYOUT

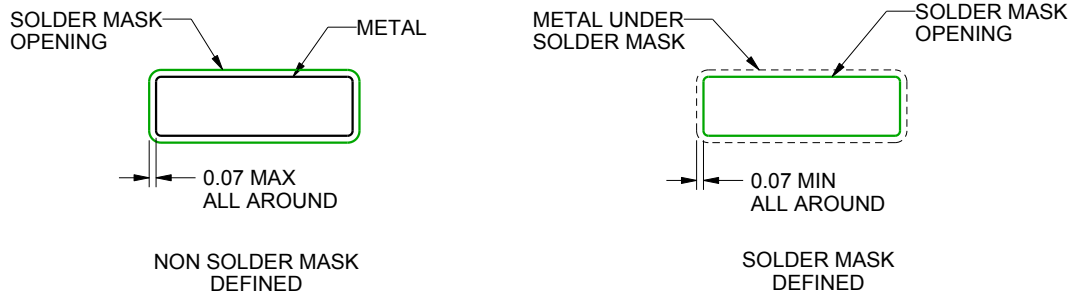
DW0020A

SOIC - 2.65 mm max height

SOIC



LAND PATTERN EXAMPLE
SCALE:6X



SOLDER MASK DETAILS

4220724/A 05/2016

NOTES: (continued)

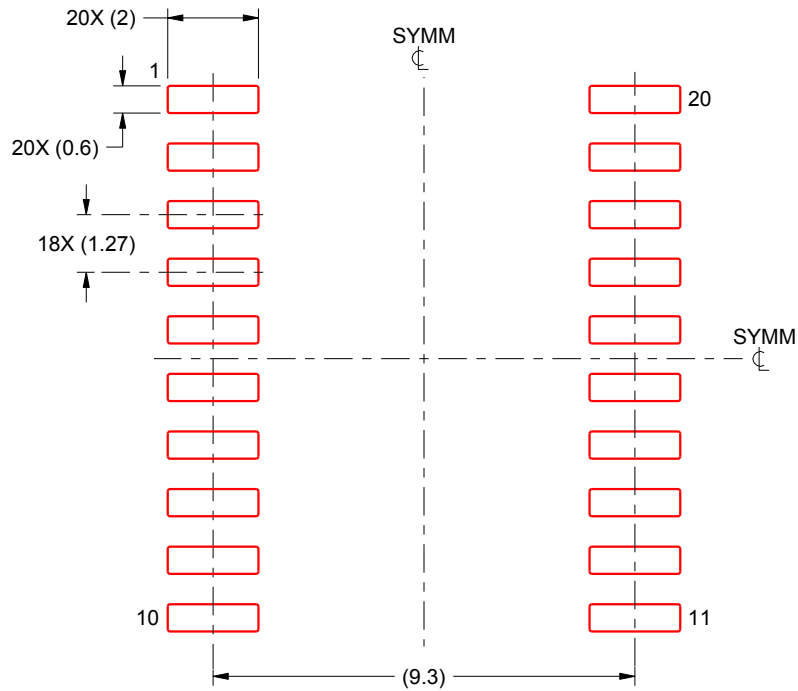
- 6. Publication IPC-7351 may have alternate designs.
- 7. Solder mask tolerances between and around signal pads can vary based on board fabrication site.

EXAMPLE STENCIL DESIGN

DW0020A

SOIC - 2.65 mm max height

SOIC



SOLDER PASTE EXAMPLE
BASED ON 0.125 mm THICK STENCIL
SCALE:6X

4220724/A 05/2016

NOTES: (continued)

8. Laser cutting apertures with trapezoidal walls and rounded corners may offer better paste release. IPC-7525 may have alternate design recommendations.
9. Board assembly site may have different recommendations for stencil design.

IMPORTANT NOTICE AND DISCLAIMER

TI PROVIDES TECHNICAL AND RELIABILITY DATA (INCLUDING DATA SHEETS), DESIGN RESOURCES (INCLUDING REFERENCE DESIGNS), APPLICATION OR OTHER DESIGN ADVICE, WEB TOOLS, SAFETY INFORMATION, AND OTHER RESOURCES "AS IS" AND WITH ALL FAULTS, AND DISCLAIMS ALL WARRANTIES, EXPRESS AND IMPLIED, INCLUDING WITHOUT LIMITATION ANY IMPLIED WARRANTIES OF MERCHANTABILITY, FITNESS FOR A PARTICULAR PURPOSE OR NON-INFRINGEMENT OF THIRD PARTY INTELLECTUAL PROPERTY RIGHTS.

These resources are intended for skilled developers designing with TI products. You are solely responsible for (1) selecting the appropriate TI products for your application, (2) designing, validating and testing your application, and (3) ensuring your application meets applicable standards, and any other safety, security, regulatory or other requirements.

These resources are subject to change without notice. TI grants you permission to use these resources only for development of an application that uses the TI products described in the resource. Other reproduction and display of these resources is prohibited. No license is granted to any other TI intellectual property right or to any third party intellectual property right. TI disclaims responsibility for, and you will fully indemnify TI and its representatives against, any claims, damages, costs, losses, and liabilities arising out of your use of these resources.

TI's products are provided subject to [TI's Terms of Sale](#) or other applicable terms available either on [ti.com](https://www.ti.com) or provided in conjunction with such TI products. TI's provision of these resources does not expand or otherwise alter TI's applicable warranties or warranty disclaimers for TI products.

TI objects to and rejects any additional or different terms you may have proposed.

Mailing Address: Texas Instruments, Post Office Box 655303, Dallas, Texas 75265
Copyright © 2023, Texas Instruments Incorporated