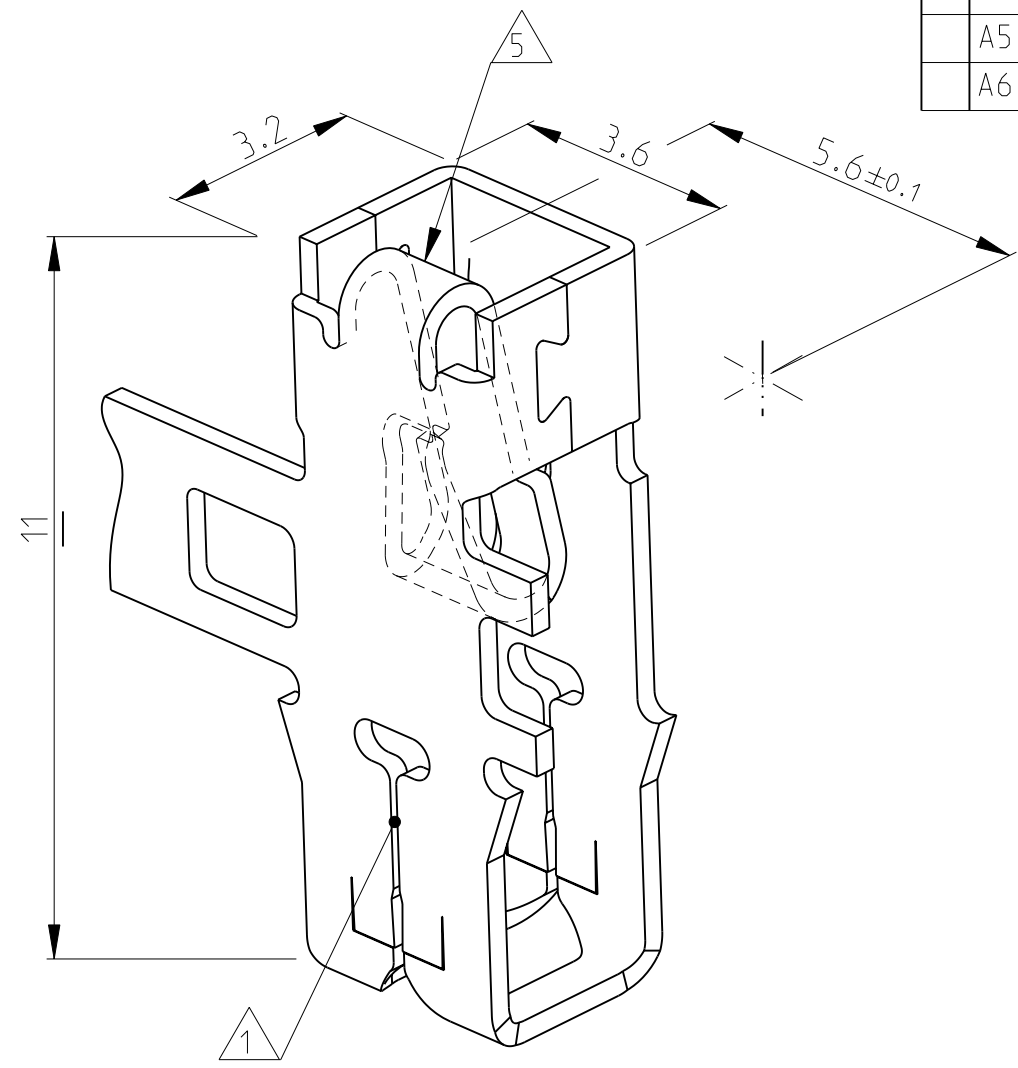
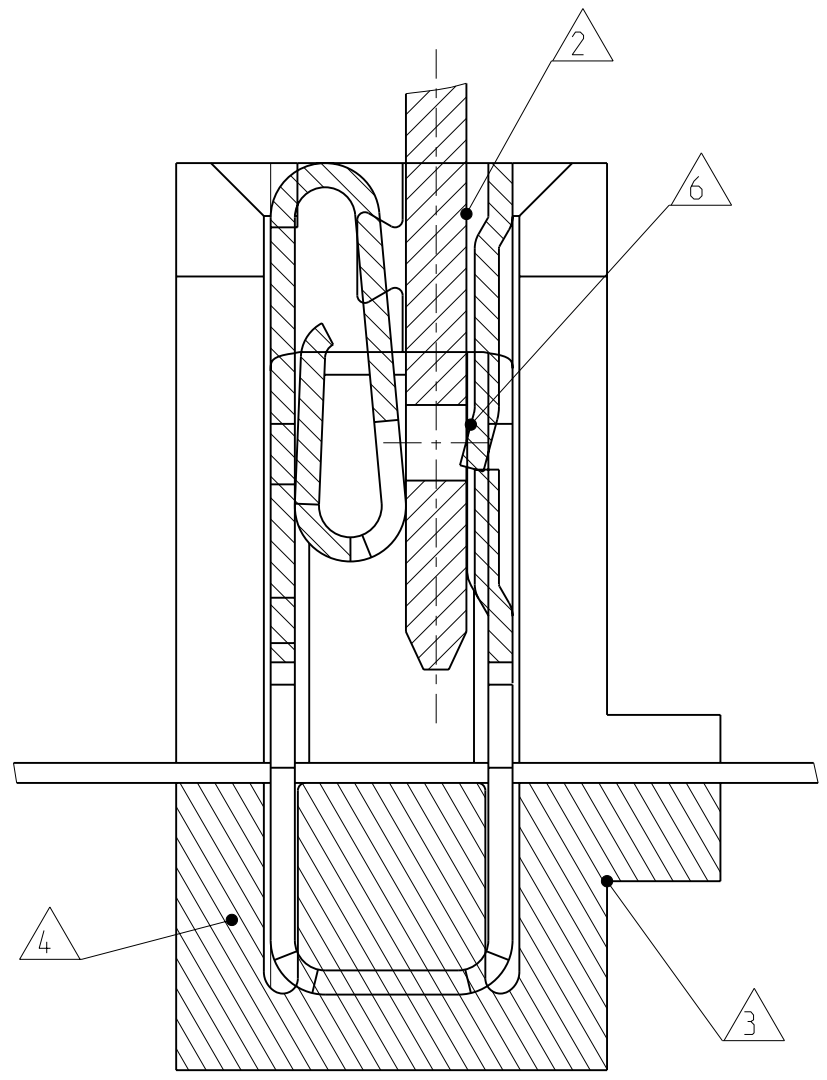


THIS DRAWING IS UNPUBLISHED. RELEASED FOR PUBLICATION 2008
 © COPYRIGHT 2008 BY TYCO ELECTRONICS CORPORATION. ALL RIGHTS RESERVED.

LOC	DIST	REVISIONS			
P	LTR	DESCRIPTION	DATE	DWN	APVD
A1	-				
	A3	REDRAWN TO PRO/E	26.01.09	DZ	TK
	A4	REVISED PER ECO-09-026444	27NOV09	KK	AEQ
	A5	WIRE RANGE IN NOTE 1 CORRECTED	22FEB2010	PKS	RRP
	A6	DRAFTING ERROR	24NOV2010	PKS	MP



- ① Kontakt geeignet fuer:
Lackdraht $\varnothing 0.18-0.265\text{mm}$
(Einzeldraht oder zwei Draehte gleichen Durchmessers)
Slot accepts:
SINGLE MAGNET WIRE $\varnothing 0.18-0.265\text{mm}$
DOUBLE MAGNET WIRE SAME DIAMETERS
- ② Flachstecker A2.8-0.5mm oder A2.8-0.8mm nach DIN 46244
FLAT PIN A2.8-0.5mm OR A2.8-0.8mm ACCORDING TO DIN 46244
- ③ Bereich wird beim Kontaktieren abgetrennt
AREA WILL BE CUTTED OF BY TERMINATION
- ④ Kontakt Kammer nach Zeichnung 411-18514
CAVITY ACCORDING DWG 411-18514
- ⑤ Kennziffer fuer Lackdrahtbereich (4)
IDENTIFICATION NO. (4)
- ⑥ Unter Vorstrich-Zahl 1-... auch "ohne" Rastnase lieferbar
UNDER PRAEFIX NO: 1- ALSO "WITHOUT LOCKING NOSE AVAILABEL

⑦	OBSOLETE	1-964114-2	⑥	A	-	MAG-MATE Kontakt "ohne"	CuNiSi	nachverzinnt
		1-964114-1	⑥	A	-	MAG-MATE Kontakt "ohne"	CuNiSi	vorverzinnt
⑦	OBSOLETE	964114-2		A	-	MAG-MATE Kontakt "mit"	CuNiSi	nachverzinnt
⑦	OBSOLETE	964114-1		A	-	MAG-MATE Kontakt "mit"	CuNiSi	vorverzinnt
		BESTELL-NR.	POS.	STÜCK	BENENNUNG EINZELTEIL	WERKSTOFF	OBERFLÄCHE FARBE	

<small>THIS DRAWING IS A CONTROLLED DOCUMENT FOR TYCO ELECTRONICS CORPORATION IT IS SUBJECT TO CHANGE AND THE CONTROLLING ENGINEERING ORGANIZATION SHOULD BE CONTACTED FOR THE LATEST REVISION.</small>		DWN	ATZMANN	13-08-97	Tyco Electronics AMP GmbH 64625 Bensheim (Germany)
DIMENSIONS: mm		CHK	PLÖBER	13-08-97	
		APVD	ZANDER	13-08-97	
TOLERANCES UNLESS OTHERWISE SPECIFIED: n. ISO 8015, n. ISO2768-mH-E n. DIN 16901-140		PRODUCT SPEC		NAME	
0 PLC $\pm 0.2\text{mm}$ 1 PLC \pm 2 PLC \pm 3 PLC \pm 4 PLC \pm ANGLES $\pm 1^\circ$		APPLICATION SPEC		MAG-MATE TERMINAL WITH TAB-RECEPT. 2.8-0.5/0.8	
MATERIAL		WEIGHT		SIZE	RESTRICTED TO
SEE TABLE		-		A3	-
FINISH		CUSTOMER DRAWING		CAGE CODE	DRAWING NO
SEE TABLE		SCALE 10:1		00779	©=964114
		SHEET 1 OF 1		REV A6	

⑦ OBSOLETE PARTS: OBSOLETE CIS STREAMLINING PER D.RENAUD/D.SINISI