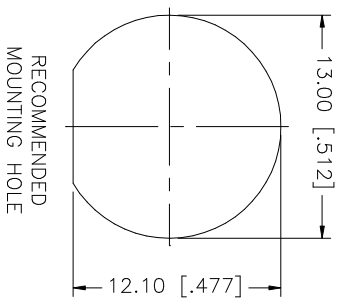
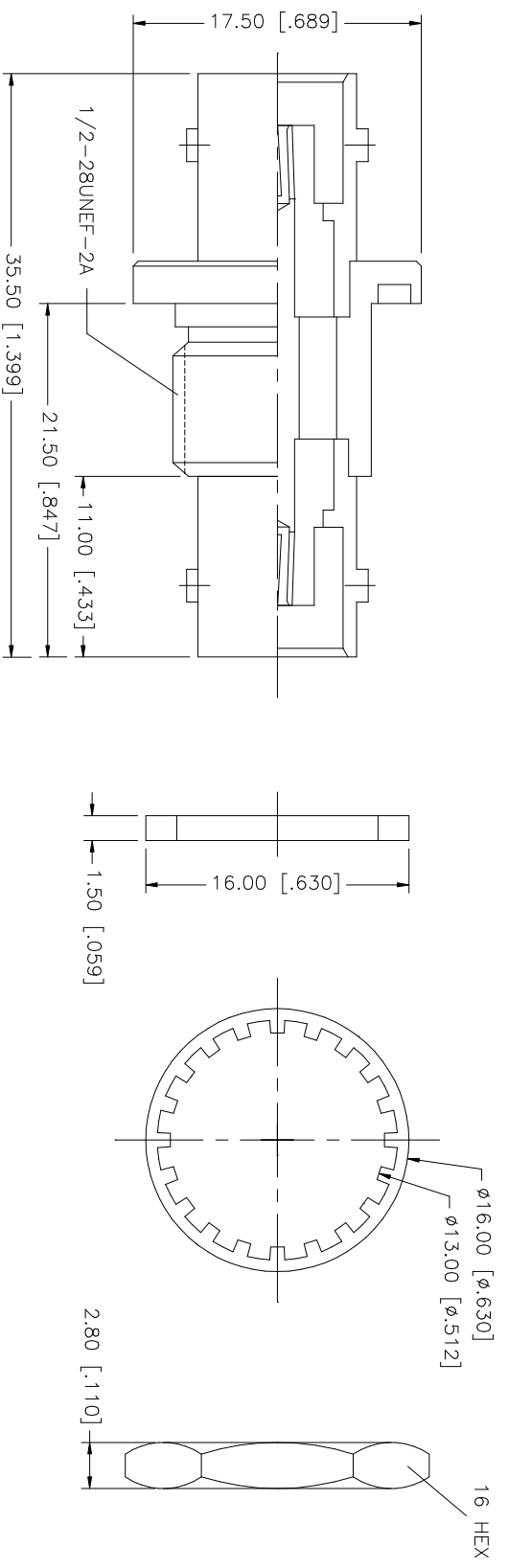


REV.	DATE	DESCRIPTION
A	11/09/03	UPDATE DRAWING FORMAT



RECOMMENDED
MOUNTING HOLE

QTY	FINISH	MATERIAL	DESCRIPTION
1	NICKEL	BRASS	HEX NUT
1	NICKEL	BRASS	LOCK WASHER
1	RED	RUBBER	GASKET
1	GOLD	PHOS. BRONZE	CONTACT PIN
1	NATURAL	DELIRIN	INSULATOR
1	NICKEL	BRASS	BODY

UNLESS OTHERWISE SPECIFIED DIMENSIONS ARE IN INCHES AND FOR CUSTOMER REFERENCE ONLY.	UNLESS OTHERWISE SPECIFIED DIMENSIONS ARE IN MILLIMETERS AND FOR CUSTOMER REFERENCE ONLY.
0.5 - .8mm ± 0.20mm	0.5 - .8mm ± 0.20mm
8 - 30mm ± 0.40mm	8 - 30mm ± 0.40mm
30 - 120mm ± 0.50mm	30 - 120mm ± 0.50mm

UNLESS OTHERWISE SPECIFIED DIMENSIONS ARE IN INCHES AND FOR CUSTOMER REFERENCE ONLY.	UNLESS OTHERWISE SPECIFIED DIMENSIONS ARE IN MILLIMETERS AND FOR CUSTOMER REFERENCE ONLY.
.020 - .315 = ± 0.007"	.020 - .315 = ± 0.007"
.315 - 1.180 = ± 0.015"	.315 - 1.180 = ± 0.015"
1.180 - 4.724 = ± 0.020"	1.180 - 4.724 = ± 0.020"

APPROVALS	DATE
DRAWN G.R.S.	11/19/03
CHECKED	
ISSUED	
SHEET 1 OF 1	

CAD FILE	DWG. NO.	REV.	SIZE	SCALE
C:/112/112435.DWG	112435.DWG	A	A	NA

PART DESCRIPTION	PART NO.
Amphenol Connex BNC FEMALE TO FEMALE BULKHEAD ADAPTER	112435