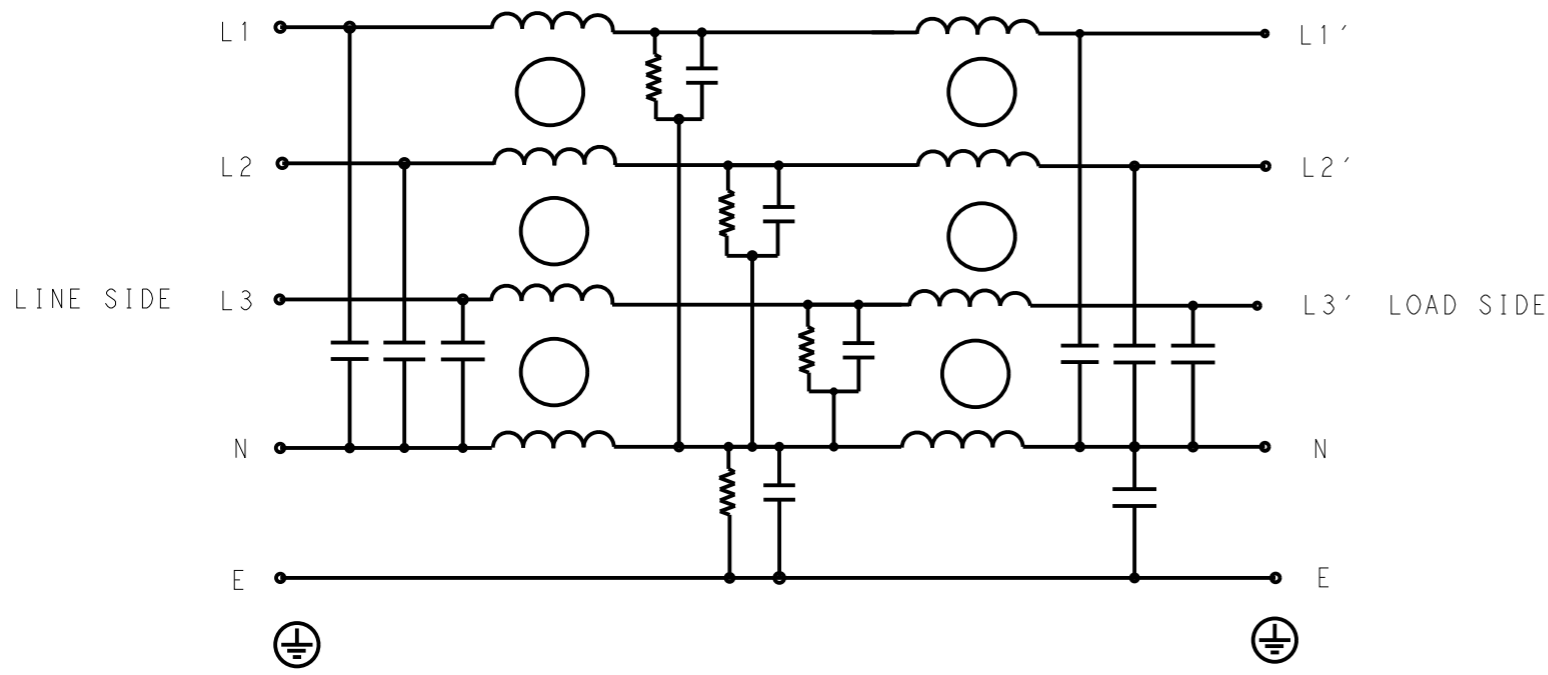


| P | LTR | DESCRIPTION | DATE | DWN | APVD |
|---|-----|-----------------|-----------|-----|------|
| | A | INITIAL RELEASE | 21APR2021 | SR | CB |



SCHEMATIC

SAFETY ORGANIZATIONS
 THIS FILTER WILL BE FORMALLY RECOGNIZED, CERTIFIED OR APPROVED BY THE LISTED AGENCY. THEREFORE, ALL TEST/REQUIREMENTS SPECIFIED IN THE LATEST REVISION OF THE FOLLOWING AGENCY STANDARDS WILL BE MET:

UL APPROVED 100A 440V 50Hz/60Hz 50°C
 CSA APPROVED 100A 440V 50Hz/60Hz 50°C

OPERATING SPECIFICATION
 LINE CURRENT/VOLTAGE: 100A, 440VAC
 LINE FREQUENCY: 50/60Hz

MAXIMUM LEAKAGE CURRENT: 11mA @ 230VAC, 50Hz
 OPERATING AMBIENT TEMPERATURE RANGE @ RATED CURRENT: -10°C TO +50°C

IN AN AMBIENT, T_a, HIGHER THAN 50°C, THE MAXIMUM OPERATING CURRENT, I_o, IS AS FOLLOWS:

$$I_o = I_r \sqrt{\frac{105 - T_a}{55}}$$

RELIABILITY SPECIFICATIONS
 STORAGE TEMPERATURE: -40°C TO +85°C
 HUMIDITY: 21 DAYS @ 40°C AND 95% RH

TEST SPECIFICATIONS
 INDUCTANCE, NOMINAL: 0.2mH

CAPACITANCE @ 1kHz
 NEUTRAL TO GROUND, NOMINAL: 2.2µF
 LINE TO NEUTRAL, NOMINAL: 6.6µF

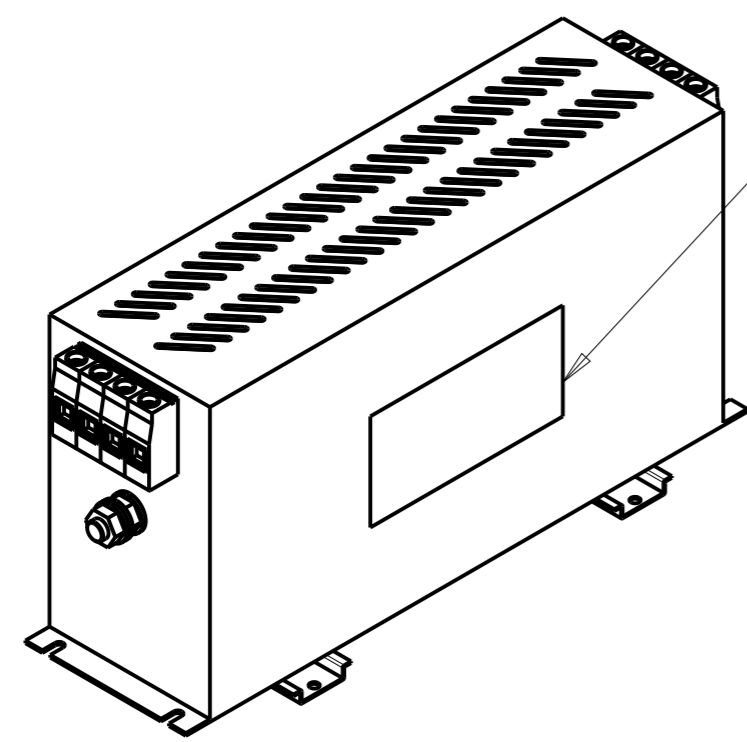
DISCHARGE RESISTOR
 L/L I.R. 2MΩ 2W
 L/N I.R. 1.5MΩ 2W
 L/G I.R. 2MΩ 2W
 N/G I.R. 680KΩ 2W
 IR (NO DISCHARGE RESISTOR) 20°C, 50% RH AND 100VDC, MIN: 6MΩ

RECOMMENDED RECEIVING INSPECITON HIPOT
 LINE TO GROUND FOR 1 MINUTE: 2632VDC
 LINE TO LINE FOR 1 MINUTE: 1892VDC
 LINE TO NEUTRAL FOR 1 MINUTE: 1093VDC

FILTER APPROVAL
 THE BEST WAY TO SELECT AND QUALIFY A FILTER IS FOR YOUR ENGINEERING TO TEST THE UNIT IN YOUR EQUIPMENT.

TYPICAL INSERTION LOSS
 COMMON MODE 50/50Ω; DIFFERENTIAL MODE 50/50Ω

| MHz | 0.01 | 0.05 | 0.15 | 0.5 | 1 | 3 | 5 | 10 | 30 |
|-----|------|------|------|-----|----|----|----|----|----|
| CM | 40 | 37 | 42 | 32 | 36 | 48 | 50 | 46 | 20 |
| DM | 45 | 40 | 50 | 25 | 32 | 50 | 47 | 32 | 22 |



LABEL TO TE MARKING SPECIFICATION

| | | | | |
|--|--|----------------------------|---|--|
| THIS DRAWING IS A CONTROLLED DOCUMENT. | | DWN SUPREETH R 21APR2021 | TE Connectivity | |
| | | CHK CHRIS BOLLE 21APR2021 | | |
| | | APVD CHRIS BOLLE 21APR2021 | NAME POWER LINE FILTER FOR DIN 35 RAIL INSTALLATION 100KEVD10ABSWHM | |
| | | PRODUCT SPEC | | |
| | | APPLICATION SPEC | SIZE A300779 CAGE CODE C-3-1609998-9 RESTRICTED TO - | |
| | | WEIGHT - | | |
| MATERIAL - | | FINISH - | SCALE 3:10 SHEET 1 OF 2 REV A | |
| | | CUSTOMER DRAWING | | |

© 2021 TE Connectivity. All Rights Reserved.

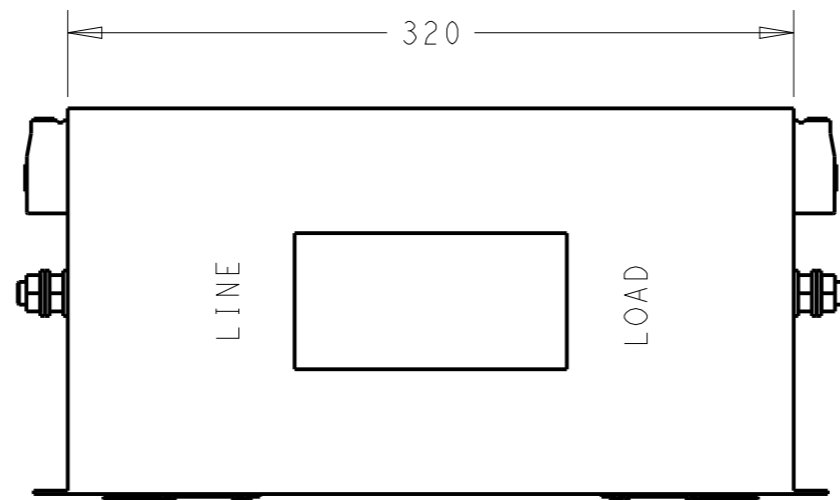
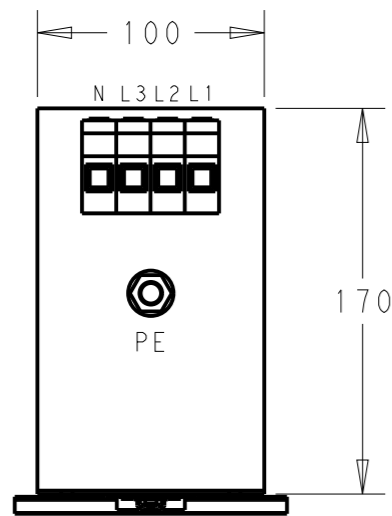
NOTE 1 GROUND CONNECTION:
 FOR ELECTRICAL SAFETY AND FILTER PERFORMANCE
 UNIT MUST HAVE A GOOD GROUND CONNECTION.
 TORQUE OUTER TERMINAL SCREWS: 2 Nm / 18 in.lbs
 TORQUE GROUND NUTS: 4-10Nm

NOTE 2 INPUT OUTPUT CONNECTION TERMINAL
 AWG SIZE: 8-4 AWG
 WIRE SECTION: 25mm²
 THREADED BOLT SIZE FOR GROUND: M10

NOTE 3 SUPPLIED WITH DIN RAIL BRACKET.

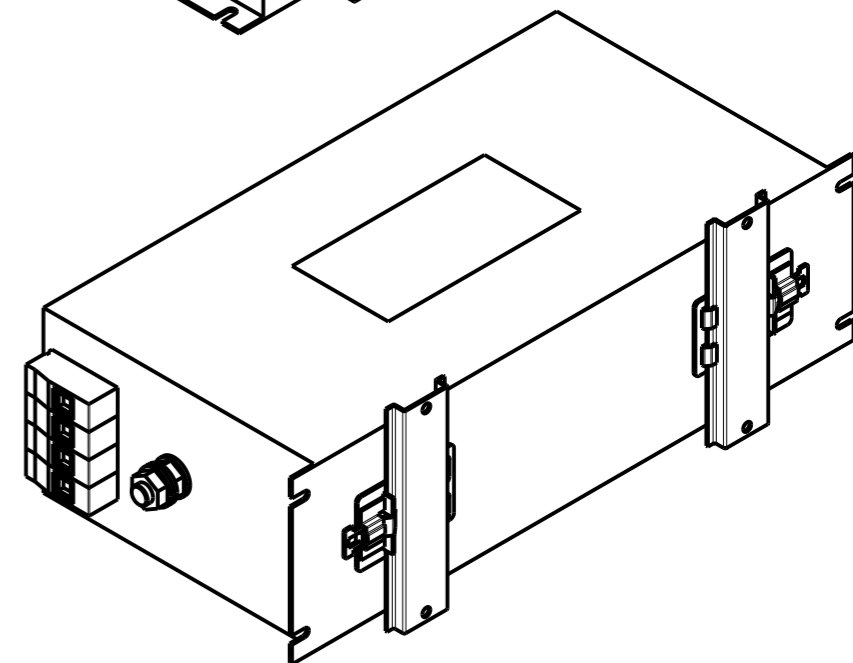
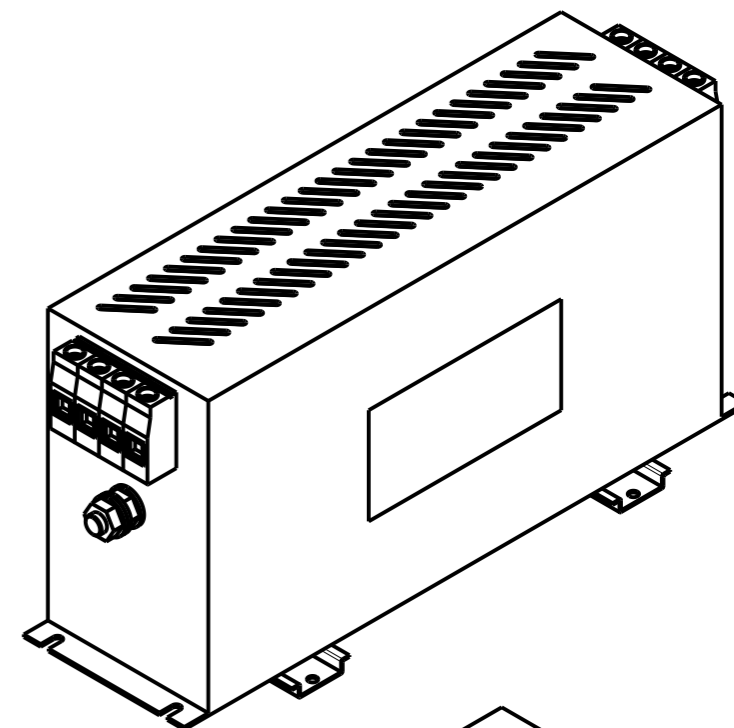
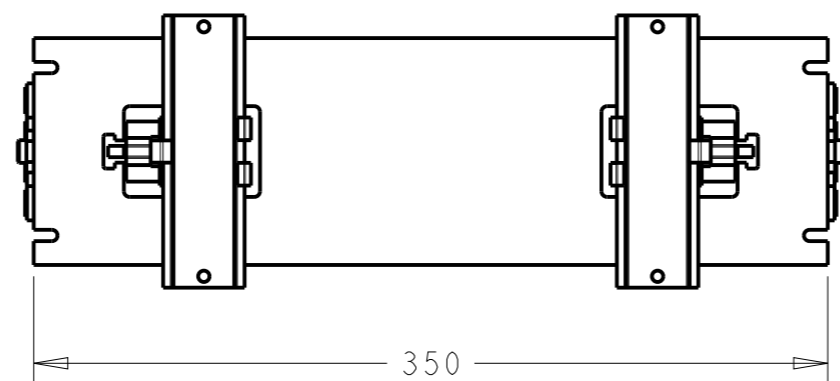
NOTE 4 DRAWING SHOWS DIN RAIL FOR REFERENCE ONLY.

| REVISIONS | | | | | |
|-----------|-----|-------------|------|-----|------|
| P | LTR | DESCRIPTION | DATE | DWN | APVD |
| | | SEE SHEET 1 | | | |
| | | | | | |
| | | | | | |



DIN RAIL CHANNEL

DIN 35 BRACKET



THIS DRAWING IS A CONTROLLED DOCUMENT.

| | | | |
|-------------------|---|--|---------|
| DIMENSIONS: mm | | TOLERANCES UNLESS OTHERWISE SPECIFIED: | |
| | | 0 PLC | ±0.5 |
| | | 1 PLC | ±0.40 |
| | | 2 PLC | ±0.130 |
| | | 3 PLC | ±0.0500 |
| | | 4 PLC | ±0.0500 |
| ANGLES | ± | | |
| MATERIAL | - | FINISH | - |

| | | |
|------------------|-------------|-----------|
| DWN | SUPREETH R | 21APR2021 |
| CHK | CHRIS BOLLE | 21APR2021 |
| APVD | CHRIS BOLLE | 21APR2021 |
| PRODUCT SPEC | - | |
| APPLICATION SPEC | - | |
| WEIGHT | - | |
| CUSTOMER DRAWING | | |



| | | | |
|---|-----------|---------------|---------------|
| NAME POWER LINE FILTER FOR DIN 35 RAIL INSTALLATION 100KEVD10ABSWM | | | |
| SIZE | CAGE CODE | DRAWING NO | RESTRICTED TO |
| A3 | 00779 | C-3-1609998-9 | - |
| SCALE | | SHEET | REV |
| 3:10 | | 2 OF 2 | A |