

1

2

3

4

5

6

7

A

B

C

D

E

F

G

H

A

B

C

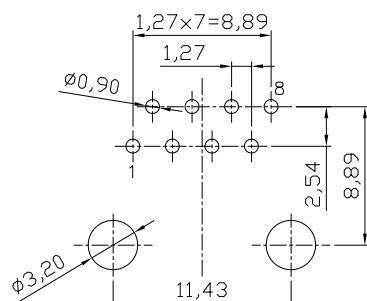
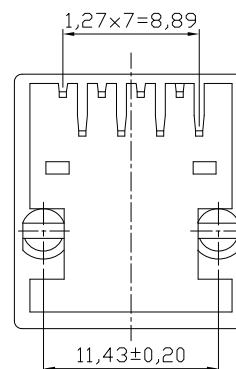
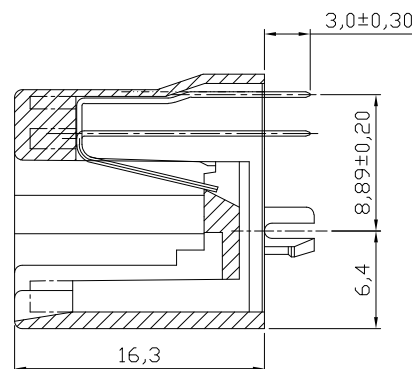
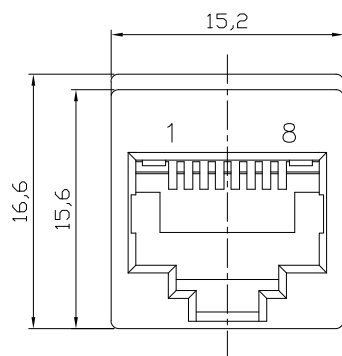
D

E

F

G

H



PC Board Layout  
Component Side Shown

CATEGORY 5 CHARACTERISTIC:

Frequency	Near-End Cross Talk dB, MIN.	Return Loss dB, MIN.
1.0 MHZ	65.0	23.0
4.0 MHZ	65.0	23.0
8.0 MHZ	62.0	23.0
10.0 MHZ	60.0	23.0
16.0 MHZ	56.0	23.0
20.0 MHZ	54.0	23.0
25.0 MHZ	52.0	14.0
31.25 MHZ	50.0	14.0
62.5 MHZ	44.0	14.0
100.0 MHZ	40.0	14.0

NOTES:

Mechanical:

- Housing material : Glass Filled Polyester UL94V-0 , Color: Black
- Contact material: Phosphor Bronze t=0.35mm
- Contact plating: Contact area---Selective gold plating  
Tails---Tin plated all over 50u" Nickel
- Operating Life: 750 Cycles min.
- PCB Retention Pre-solder: 1 LB min.
- PCB Retention Post-solder: 10 LBS min.

Electrical:

- Voltage Rating: 125VAC.
  - Current Rating: 1.5AMP.
  - Contact Resistance: 30mΩ max.
  - Insulation Resistance: 1000MΩ min. @ 500 VDC
  - Dielectric Strength: 1000 VAC 60Hz, 1 min.
- Environmental:
- Storage: -40°C To +85°C
  - Operation: -40°C~+85°C
  - Wave Soldering Temp: 200~220°C(5~10S)
- Packing: 100pcs/Tray, 3200pcs/Carton

Order code: A-2014-2-X-N-T

- Contact plating:
- selective 15u" gold
  - selective 30u" gold
  - selective 50u" gold
  - selective 6u" gold

**RoHS compliant**  
Unit:mm

Scale	Free					Date	Name	Customer-No.
TOLERANCE					Drawn	27.05.2013	Amy	
X.X	±0.20				Approved	27.05.2013	Amy	
X.XX	±0.15							ASSMANN WSW-No.
X.XXX	±0.10							A-2014-2-X-N-T
DIM	TOL							Drawing-No.
								ASS 5704 CO
		①	Drawn	27.05.2013	Amy			rev00
Angle	±5°	Id.	Modification	Date	Name			SHEET

**ASSMANN**  
WSW components

1

2

3

4

5

6

7