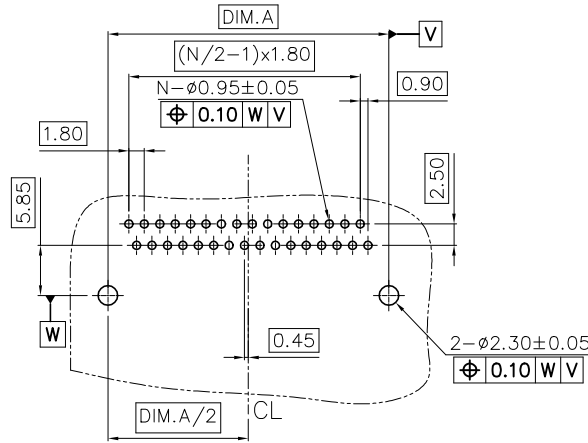
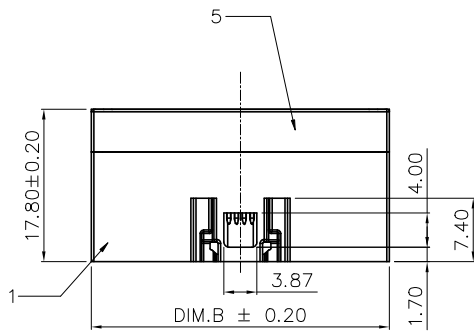
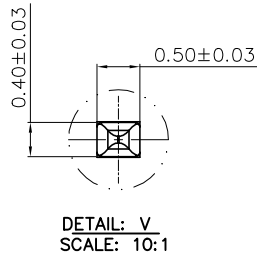
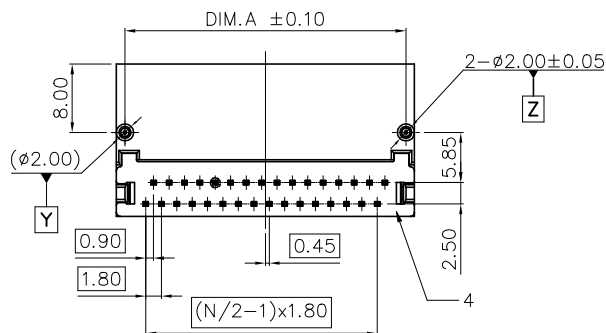
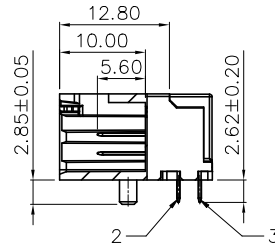
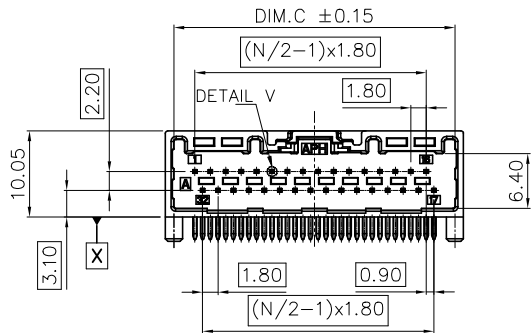


PART NUMBER
10168530-YXXXLF



RECOMMENDED P.C.BOARD HOLE DIMENSION
TOLERANCE: ±0.05mm



NOTES:

- ELECTRICAL CHARACTERISTICS:
 - CURRENT RATING : 2A Max./PER PIN.
 - CONTACT RESISTANCE: 25mΩ MAX (INITIAL).
 - INSULATOR RESISTANCE: 100MΩ MIN.
 - DIELECTRIC WITHSTANDING VOLTAGE: 500V AC
 - OPERATION TEMPERATURE: -40 °C ~ +105 °C
- MECHANICAL CHARACTERISTICS:
 - LOCKING FORCE: AT LEAST 100N MIN.
 - DURABILITY : 10 CYCLES.
- RECOMMENDED PCB THICKNESS IS 1.60mm.
- THE HOUSING WILL WITHSTAND EXPOSURE TO 260°C PEAK TEMPERATURE FOR 20 SECONDS IN A CONVECTION, INFRA-RED OR VAPOR PHASE REFLOW.
- LEAD FREE PRODUCT MEETS EUROPEAN UNION DIRECTIVES AND OTHER COUNTRY REGULATIONS AS DISCRIBLED IN GS-22-008.
- PART MUST BE FREE OF SURFACE FLAWS, MAXIMUM BURR 0.10MM.
- PRODUCT SPECITICATION: GS-12-1535.
- PACKAGE SPECITICATION: GS-14-2668.
- PART NUMBER CODE: 10168530-Y XX X X LF

CONTACT MATERIAL&PLATING

- 0-MATERIAL: PHORSPHOR BRONZE
CONTACT AREA: REFLOW Tin 1~2.5um
SOLDER AREA: REFLOW Tin 1~2.5um
- 1-MATERIAL: BRASS
CONTACT AREA: REFLOW Tin 1~2.5um
SOLDER AREA: REFLOW Tin 1~2.5um
- 2-MATERIAL: PHORSPHOR BRONZE
CONTACT AREA: 0.15um Gold
SOLDER AREA: MATTE Tin 1~2.5um
- 3-MATERIAL: BRASS
CONTACT AREA: 0.15um Gold
SOLDER AREA: MATTE Tin 1~2.5um

RoHS COMPATABLE
CODE TYPE
A - A CODE
B - B CODE
C - C CODE
D - D CODE

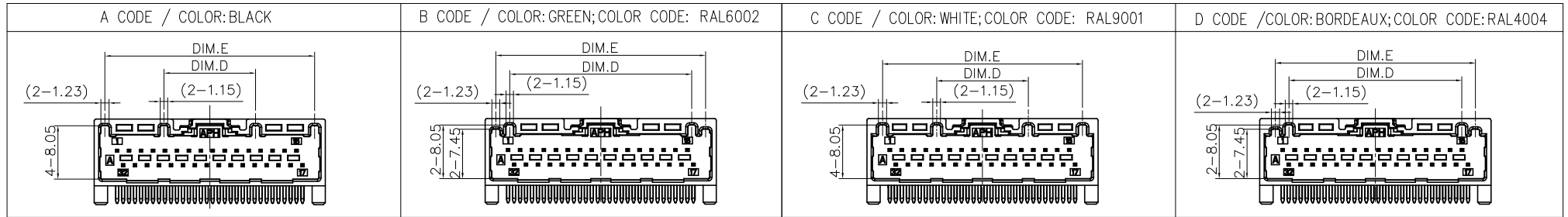
PACKAGING
K - TAPE & REEL
T - TRAY PACKAGE

NUMBER OF POSITIONS
10 - 10 PINS
12 - 12 PINS
14 - 14 PINS
.....
40 - 40 PINS

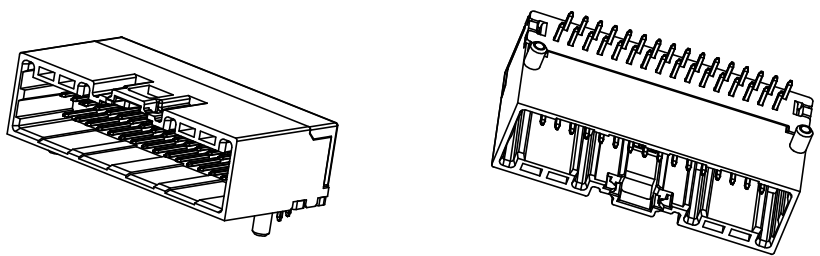
No	Components Description	Material Specifications	Q'ty	Remarks
5	COVER FOR WIRELOCK	BK LCP E130i OR E471i 100% FULL FEED, COLOR, BLACK UL94V-0	1	
4	GUIDE PLATE	HIGHT TEMPERATURE THERMOPLASTIC, COLOR, BLACK UL94 V-0	1	
3	0.5x0.4mm LONG PIN	0.76~2.0um Nickel Under plated.	N/2	
2	0.5x0.4mm SHORT PIN		N/2	
1	HOUSING	HIGHT TEMPERATURE THERMOPLASTIC BLACK OR OTHER UL94 V-0	1	SEE SHEET 2&3

mat'l. code		surface	tolerance	projection	product family
		ISO 1302	ISO 406/ISO 1101		HPL649
ltr	ecn no dr date	tolerances unless otherwise specified			title
A	REV DRAWS RELEASE JWZ 08/05/2022	angle			PIN HEADER, DUAL ROW, THT WireLock® Series R/A Connector
B	ELX-N-47400 JW.Z 20/02/2023	mm			
		0°±2'	.0±.5 .00±.25 .000±.010	scale 1:1	
		dr	JW ZHANG 08/05/2022	dwg no sheet 1 of 3 size	
		eng	NICK ZHANG 08/05/2022	10168530 A4	
		chr	NICK ZHANG 08/05/2022	type Product Customer Drawing	
		appd	TIM YAO 08/05/2022		
sheet index	revision B				
	sheet 1~3				

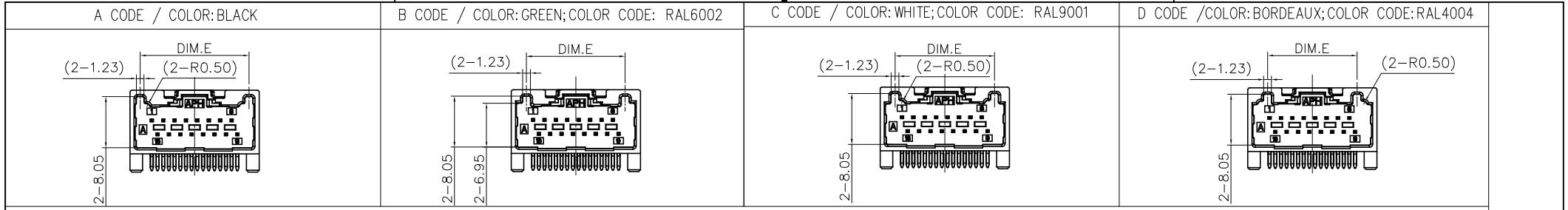
	PART NO.	DIM.A	DIM.B	DIM.C	DIM.D	DIM.E		PART NO.	DIM.A	DIM.B	DIM.C	DIM.D	DIM.E		PART NO.	DIM.A	DIM.B	DIM.C	DIM.D	DIM.E
20Pos	10168530-Y20XALF	22.00	24.00	22.00	13.80	20.78	26Pos	10168530-Y26XALF	27.40	29.40	27.40	13.80	26.18	34Pos	10168530-Y34XALF	34.60	36.60	34.60	13.80	33.38
	10168530-Y20XBLF				16.60	20.78		10168530-Y26XBLF				23.80	26.18		10168530-Y34XBLF				29.20	33.38
	10168530-Y20XCFL				13.80	19.30		10168530-Y26XCFL				13.80	24.70		10168530-Y34XCFL				13.80	31.90
	10168530-Y20XDLF				15.20	19.30		10168530-Y26XDLF				20.60	24.70		10168530-Y34XDLF				27.80	31.90
22Pos	10168530-Y22XALF	23.80	25.80	23.80	13.80	22.58	28Pos	10168530-Y28XALF	29.20	31.20	29.20	13.80	27.98	36Pos	10168530-Y36XALF	36.40	38.40	36.40	13.80	35.18
	10168530-Y22XBLF				18.40	22.58		10168530-Y28XBLF				22.00	27.98		10168530-Y36XBLF				31.00	35.18
	10168530-Y22XCFL				13.80	21.10		10168530-Y28XCFL				13.80	26.50		10168530-Y36XCFL				13.80	33.70
	10168530-Y22XDLF				17.00	21.10		10168530-Y28XDLF				22.40	26.50		10168530-Y36XDLF				29.60	33.70
24Pos	10168530-Y24XALF	25.60	27.60	25.60	13.80	24.38	30Pos	10168530-Y30XALF	31.00	33.00	31.00	13.80	29.78	38Pos	10168530-Y38XALF	38.20	40.20	38.20	13.80	36.98
	10168530-Y24XBLF				20.20	24.38		10168530-Y30XBLF				25.60	29.78		10168530-Y38XBLF				32.80	36.98
	10168530-Y24XCFL				13.80	22.90		10168530-Y30XCFL				13.80	28.30		10168530-Y38XCFL				13.80	35.50
	10168530-Y24XDLF				18.80	22.90		10168530-Y30XDLF				24.20	28.30		10168530-Y38XDLF				31.40	35.50
REMARK, THIS SHEET SHOWS 20Pos. TO 40Pos.							32Pos	10168530-Y32XALF	32.80	34.80	32.80	13.80	31.58	40Pos	10168530-Y40XALF	40.00	42.00	40.00	13.80	38.78
								10168530-Y32XBLF				27.40	31.58		10168530-Y40XBLF				34.60	38.78
								10168530-Y32XCFL				13.80	30.10		10168530-Y40XCFL				13.80	37.30
								10168530-Y32XDLF				26.00	30.10		10168530-Y40XDLF				33.20	37.30



REMARK, THIS SHEET SHOWS 20~40Pos.

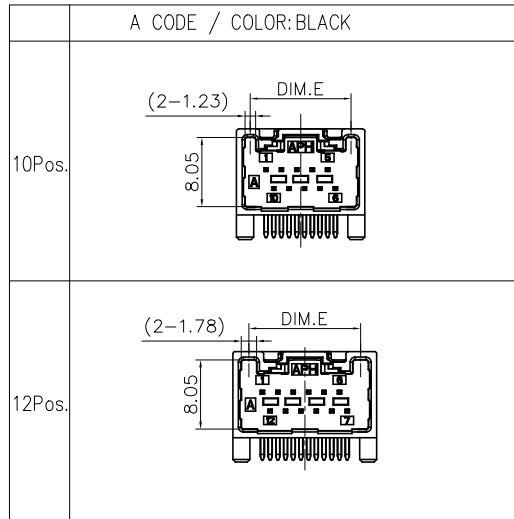


mat'l. code	surface	tolerance	projection	product family
	ISO 1302	ISO 406/ISO 1101		HPL649
ltr	ecn no	dr	date	title
B				PIN HEADER, DUAL ROW, THT
				WireLock® Series R/A Connector
				dwg no
				sheet 2 of 3
				size
				A4
				type
				Product Customer Drawing
sheet index	revision	B		
	sheet	1~3		



REMARK, THIS SHEET SHOWS 14~18 Pos.

	PART NO.	DIM.A	DIM.B	DIM.C	DIM.E		PART NO.	DIM.A	DIM.B	DIM.C	DIM.E		PART NO.	DIM.A	DIM.B	DIM.C	DIM.D	DIM.E
14Pos.	10168530-Y14XALF	16.60	18.60	16.60	15.38	16Pos.	10168530-Y16XALF	18.40	20.40	18.40	17.18	18Pos.	10168530-Y18XALF	20.20	22.20	20.20	13.80	18.98
	10168530-Y14XBLF				13.78		10168530-Y16XBLF				15.58		10168530-Y18XBLF				14.80	17.38
	10168530-Y14XCLF				13.93		10168530-Y16XCLF				15.73		10168530-Y18XCLF				13.80	17.53
	10168530-Y14XDLF				12.33		10168530-Y16XDLF				14.13		10168530-Y18XDLF				13.40	15.93



	PART NO.	DIM.A	DIM.B	DIM.C	DIM.E
10Pos.	10168530-Y10XALF	13.00	15.00	13.00	11.78
12Pos.	10168530-Y12XALF	14.80	16.80	14.80	13.03

REMARK, FOR 10 Pos. TO 12 Pos., ONLY PROVIDE A CODE.

mat'l. code		surface <input checked="" type="checkbox"/> ISO 1302	tolerance <input checked="" type="checkbox"/> ISO 406/ISO 110	projection	product family HPL649
ltr	ecn no	dr	date	tolerances unless otherwise specified	title
B				angle $0 \pm 2^\circ$	PIN HEADER,DUAL ROW,THT
				mm	WireLock Series R/A Connector
				scale 1:1	
		dr	JW ZHANG 08/05/2022		dwg no
		eng	NICK ZHANG 08/05/2022		sheet 3 of 3
		chr	NICK ZHANG 08/05/2022		size
		appd	TIM YAO 08/05/2022		A4
sheet index	revision	B		type	Product Customer Drawing
	sheet	1~3			