

RC-12S1N12ZL00 - Cable connector



1599077

<https://www.phoenixcontact.com/us/products/1599077>

Please be informed that the data shown in this PDF document is generated from our online catalog. Please find the complete data in the user documentation. Our general terms of use for downloads are valid.



M23, Cable connector, series: RC, angled, shielded: no, Screw locking mechanism, No. of pos.: 12, Direction of rotation: Standard, contact connection type: Socket, Solder cup, cable diameter range: 9 mm ... 13 mm, coding: N, Alternative product in accordance with RoHS II without Exemption 6c (Pb <0.1%) item no.: 1241035

Commercial data

Item number	1599077
Packing unit	1 pc
Note	Made to order (non-returnable)
Sales key	AB31
Product key	ABRAFC
GTIN	4046356224000
Weight per piece (including packing)	175.013 g
Weight per piece (excluding packing)	175.013 g
Customs tariff number	85366990
Country of origin	DE

RC-12S1N12ZL00 - Cable connector



1599077

<https://www.phoenixcontact.com/us/products/1599077>

Technical data

Mounting

Connection method	Solder connection
-------------------	-------------------

Product properties

Product type	Circular connector (cable-side)
Type of the screw connection	IP68 screw
Thread type	M23

Material specifications

Flammability rating according to UL 94	V0
--	----

Connection data

Conductor connection

Connection method	Solder connection
-------------------	-------------------

Mechanical properties

Mechanical data

Type of the screw connection	IP68 screw
------------------------------	------------

Connector

Insulating body

Coding	N
Insertion/withdrawal cycles	50
Connection method	Solder cup
Contact switching type	Socket
Application	Signal
Number of positions	12
Direction of rotation	Standard
Connection profile	12
Contact diameter Power contacts	1 mm
Litz wire cross-section Power contacts min.	0.08 mm ²
Litz wire cross-section Power contacts max.	1 mm ²
Rated current Power contacts	8 A
Rated voltage	48 V AC 74 V DC
Rated surge voltage	1.5 kV
Overvoltage category	III
Degree of pollution	3

RC-12S1N12ZL00 - Cable connector



1599077

<https://www.phoenixcontact.com/us/products/1599077>

Housing

Order information:	Order contact inserts and cable clamping separately
Housing material	Metal
Type of locking	Screw locking mechanism
Pg screw connection	Pg13,5
Degree of protection (plugged in)	IP65
	IP67
Thread type	M23

Seal

External cable diameter	9 mm ... 13 mm
-------------------------	----------------

Environmental and real-life conditions

Ambient conditions

Degree of protection	IP67
----------------------	------

RC-12S1N12ZL00 - Cable connector

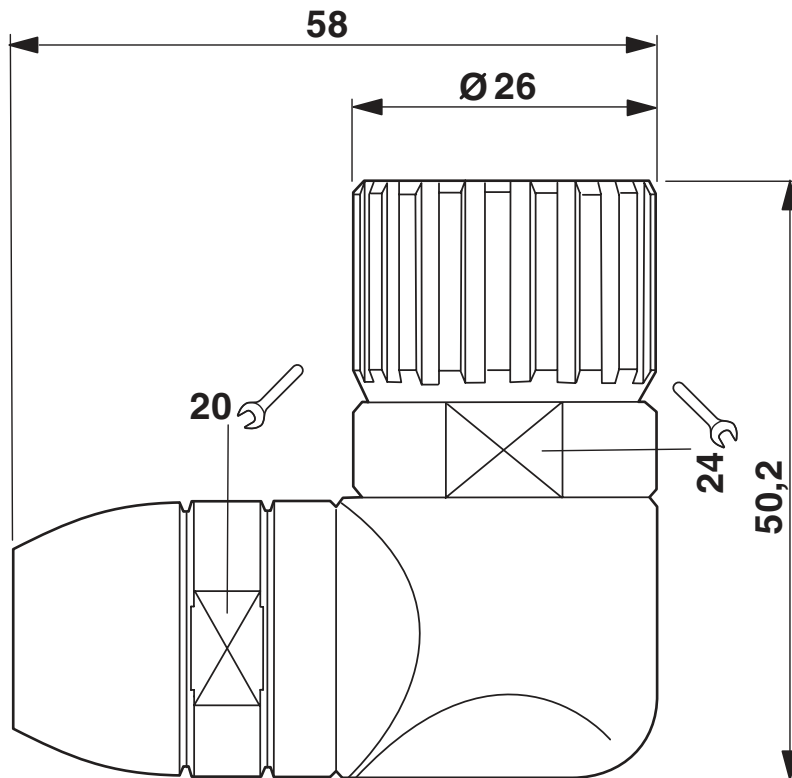


1599077

<https://www.phoenixcontact.com/us/products/1599077>

Drawings

Dimensional drawing



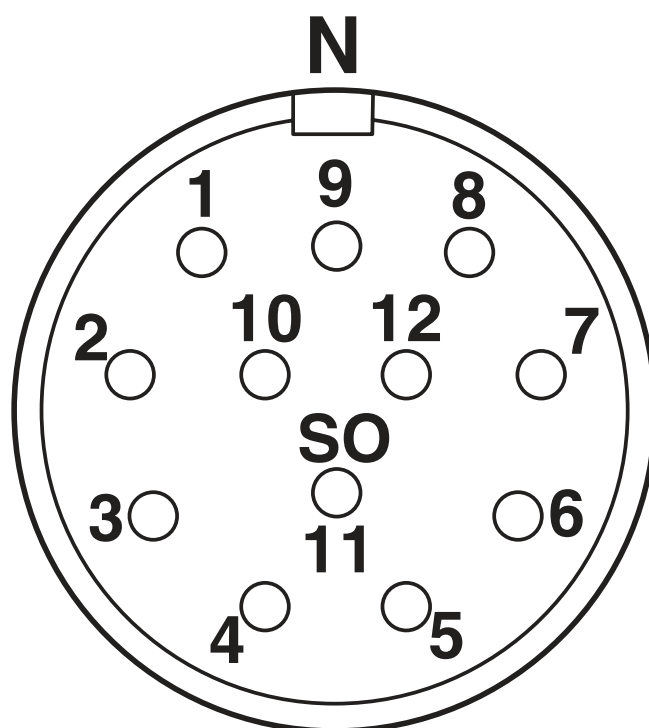
RC-12S1N12ZL00 - Cable connector



1599077

<https://www.phoenixcontact.com/us/products/1599077>

Schematic diagram



RC-12S1N12ZL00 - Cable connector



1599077

<https://www.phoenixcontact.com/us/products/1599077>

Classifications

ECLASS

ECLASS-11.0	27440109
ECLASS-12.0	27440109
ECLASS-13.0	27440109

ETIM

ETIM 8.0	EC003569
----------	----------

UNSPSC

UNSPSC 21.0	39121400
-------------	----------

RC-12S1N12ZL00 - Cable connector



1599077

<https://www.phoenixcontact.com/us/products/1599077>

Environmental product compliance

REACH SVHC	Lead 7439-92-1
China RoHS	Environmentally Friendly Use Period = 50 years
	For information on hazardous substances, refer to the manufacturer's declaration available under "Downloads"

Phoenix Contact 2023 © - all rights reserved

<https://www.phoenixcontact.com>

Phoenix Contact USA
586 Fulling Mill Road
Middletown, PA 17057, United States
(+717) 944-1300
info@phoenixcon.com