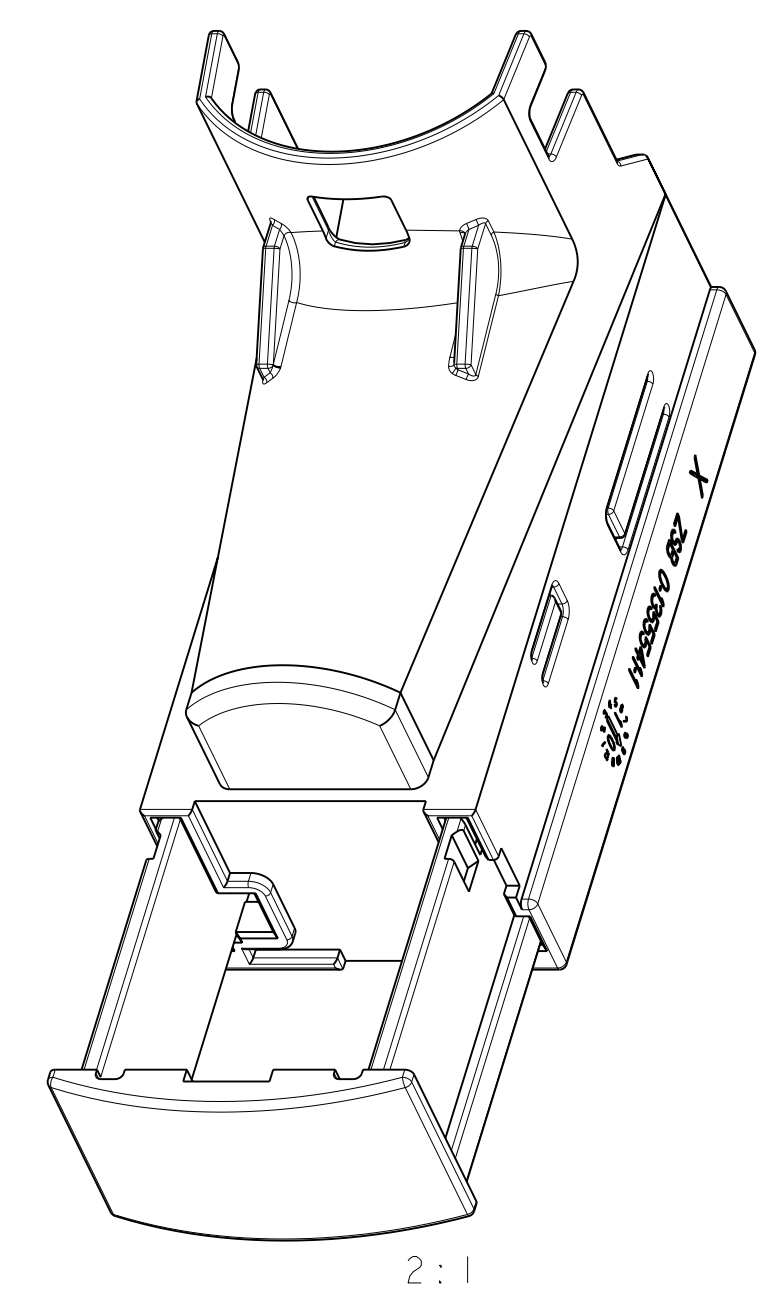
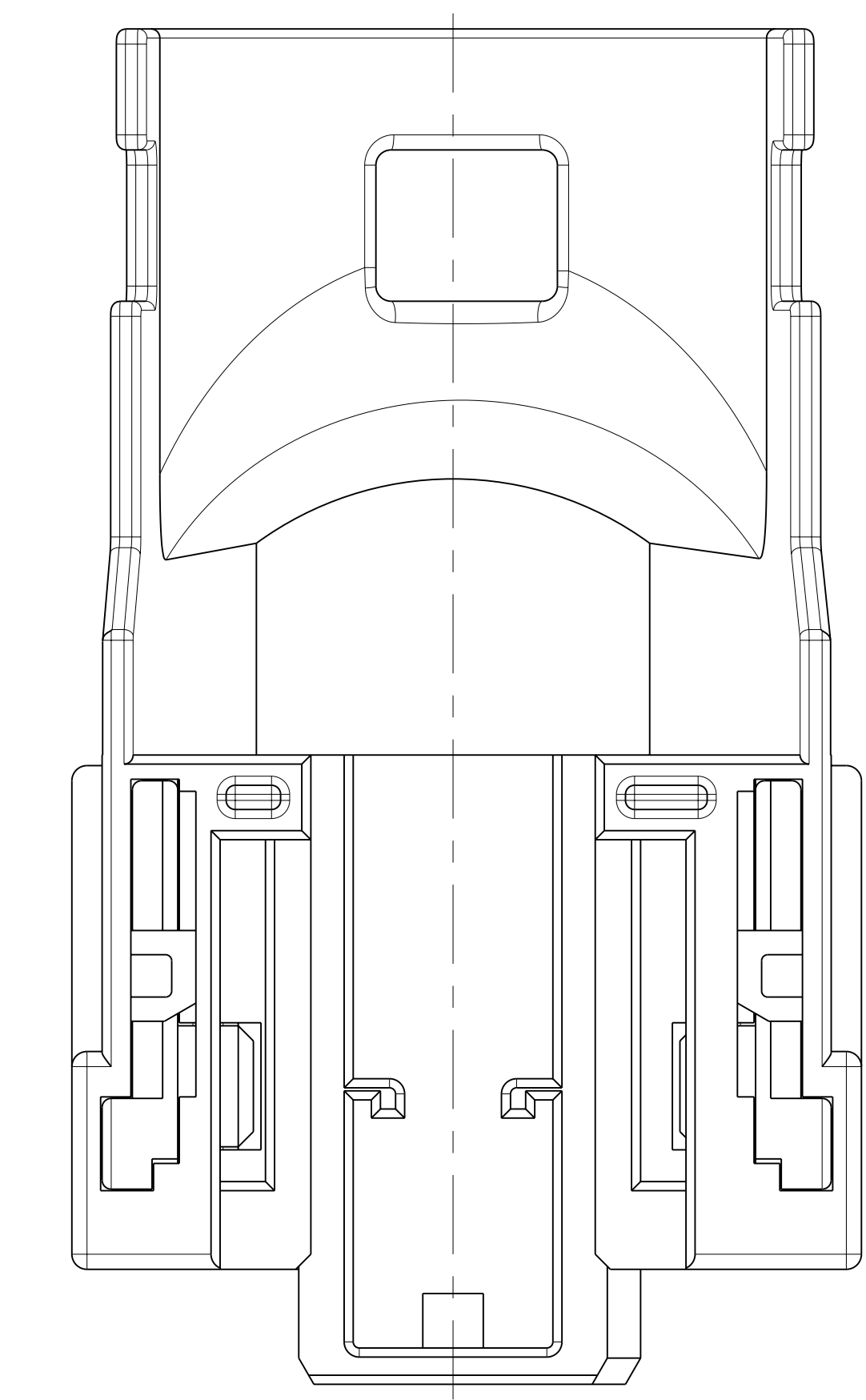
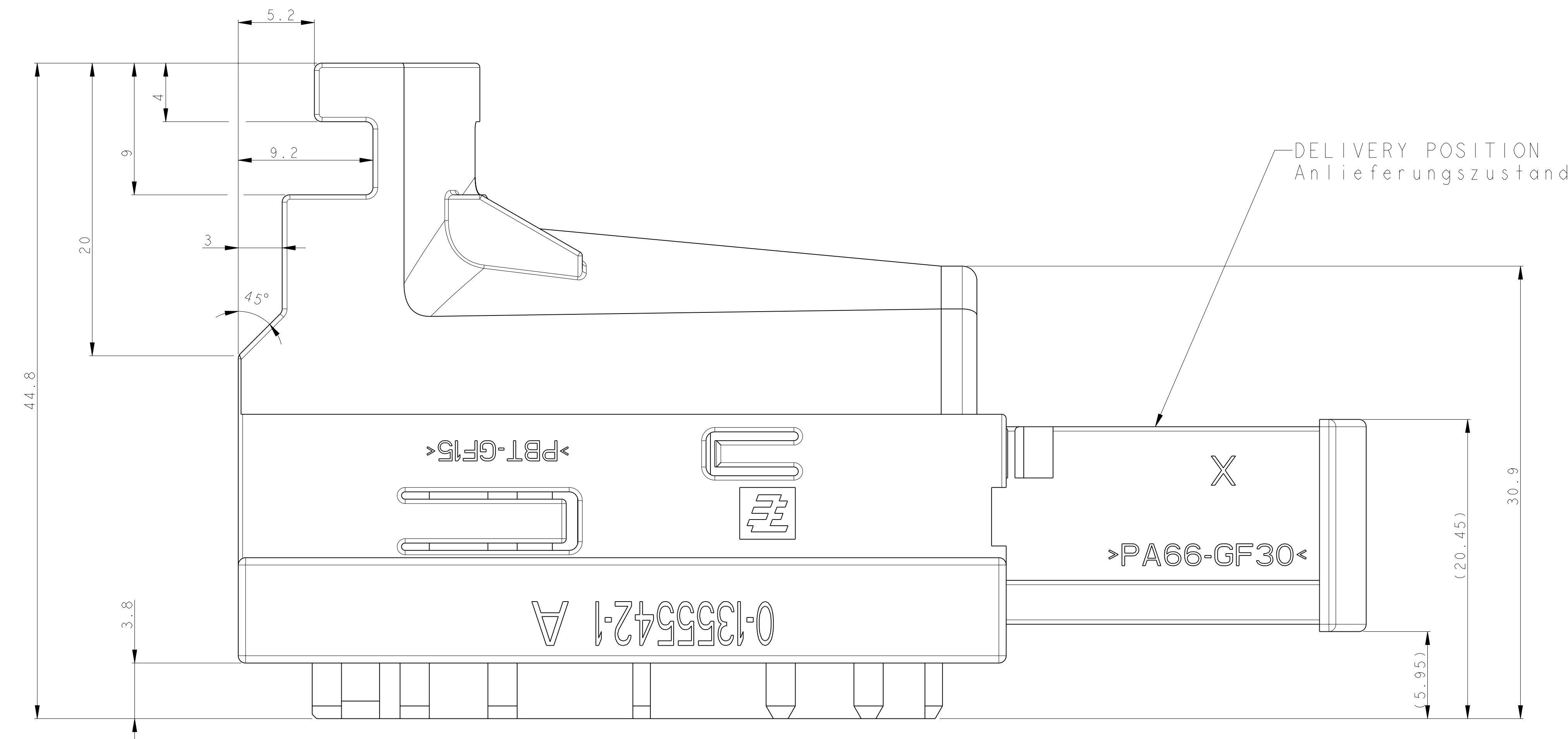
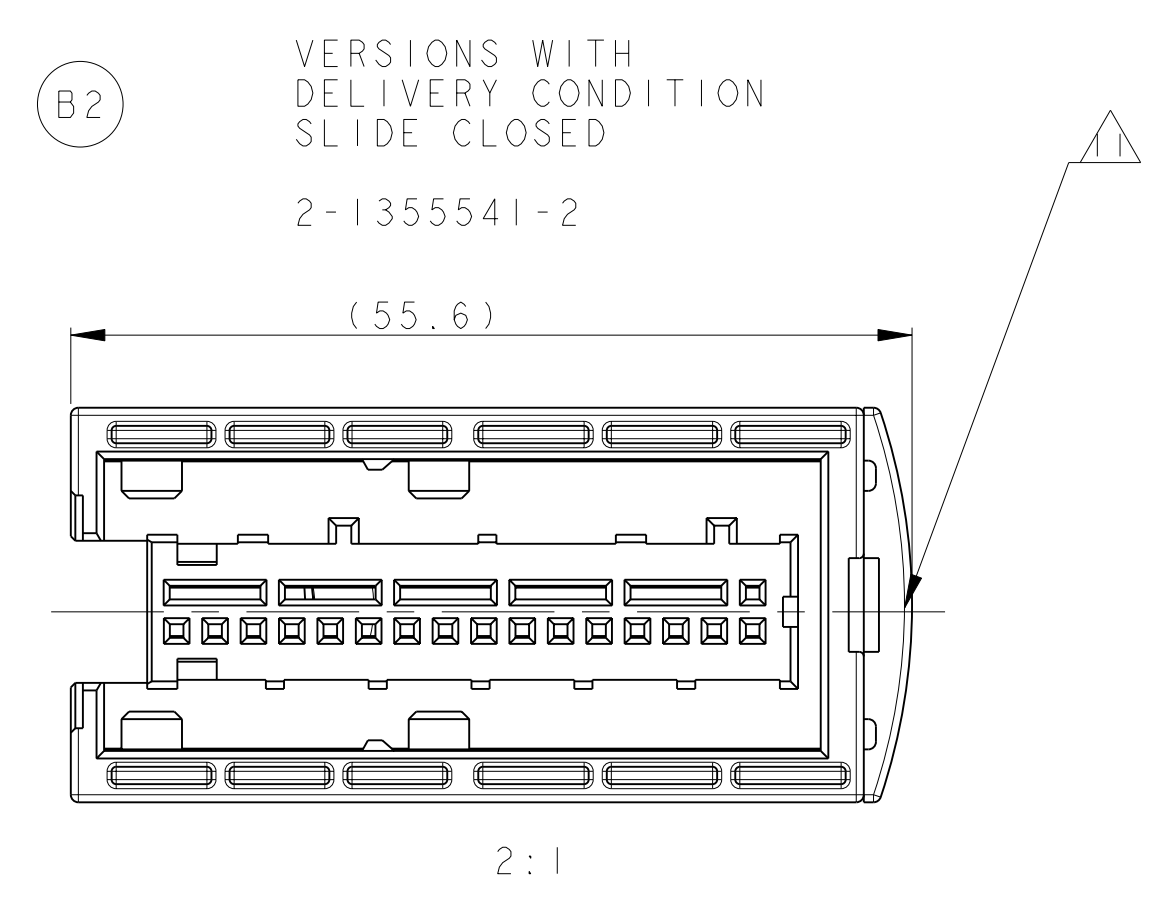
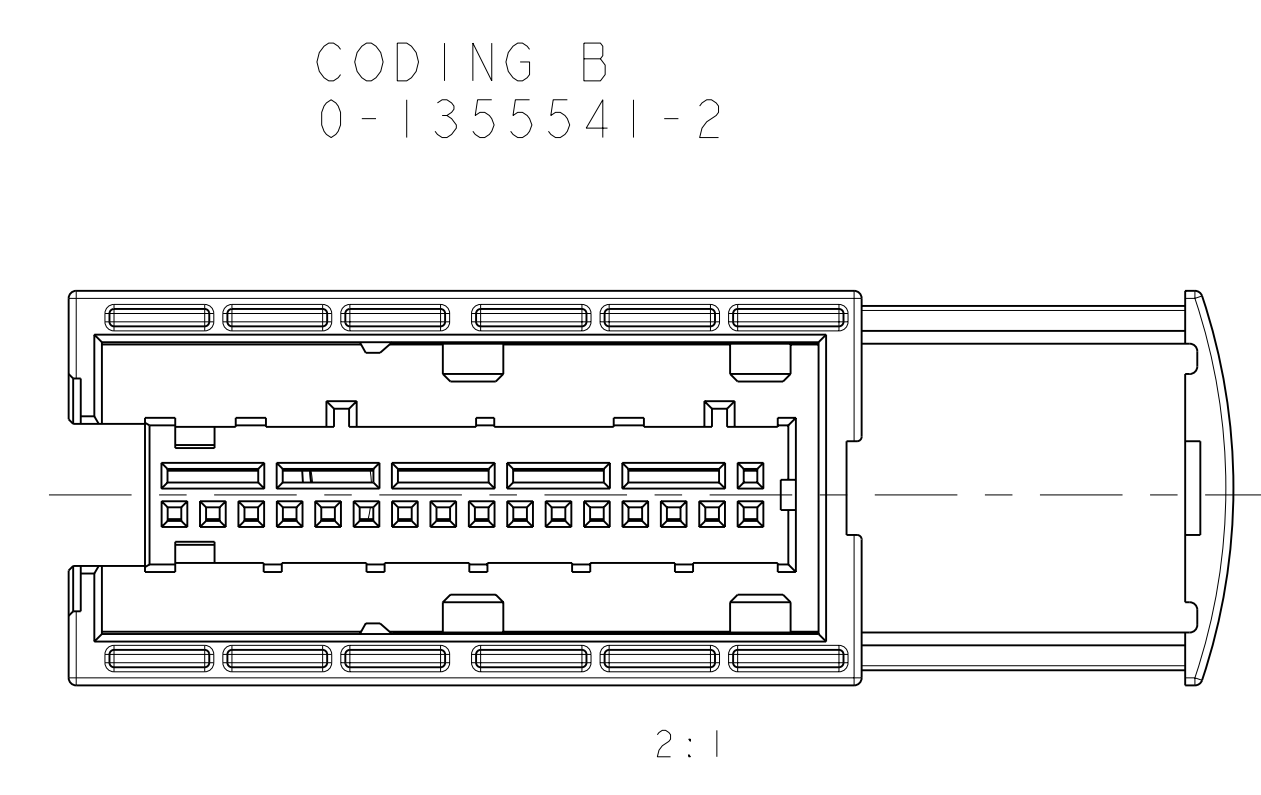
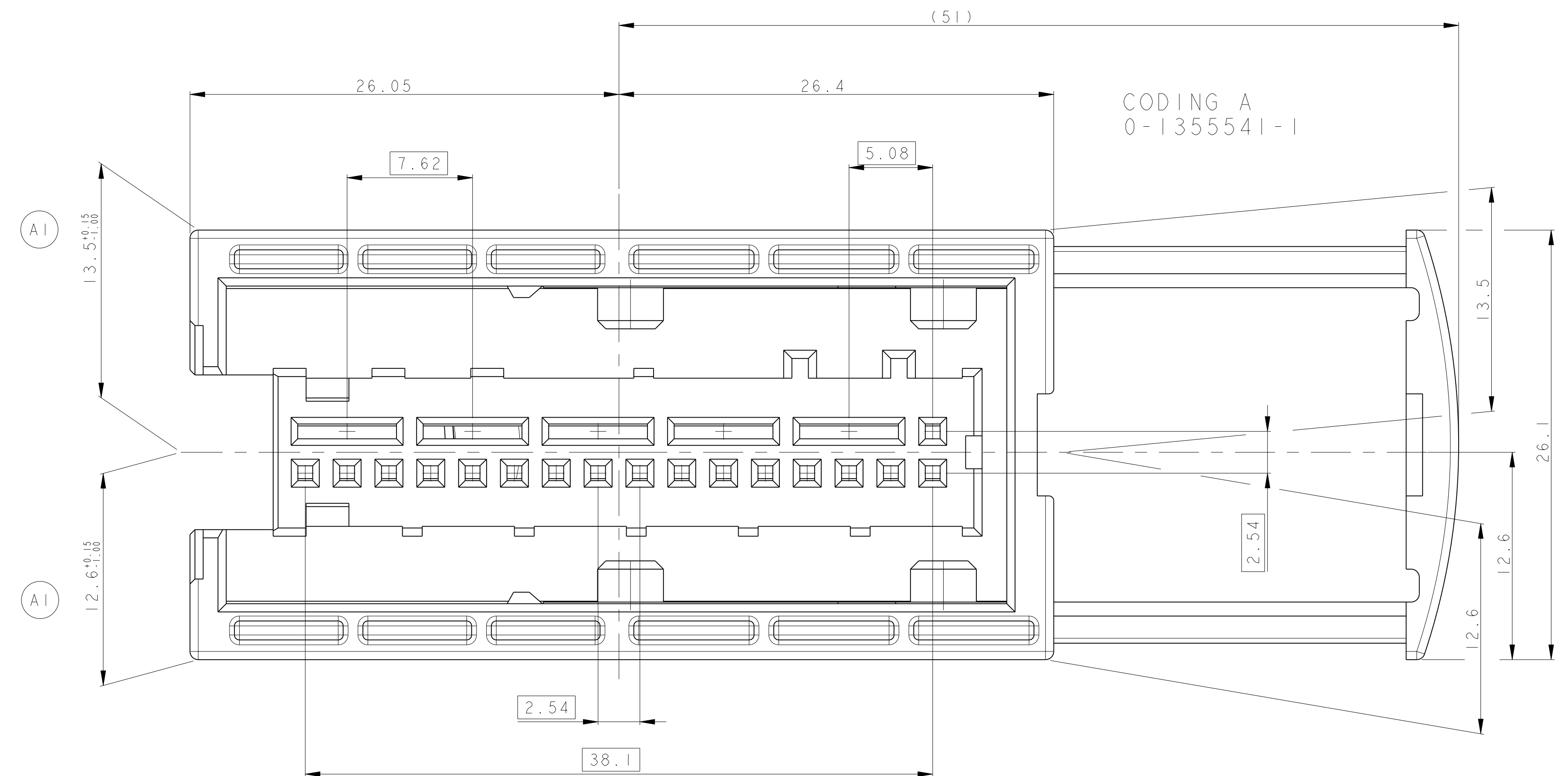
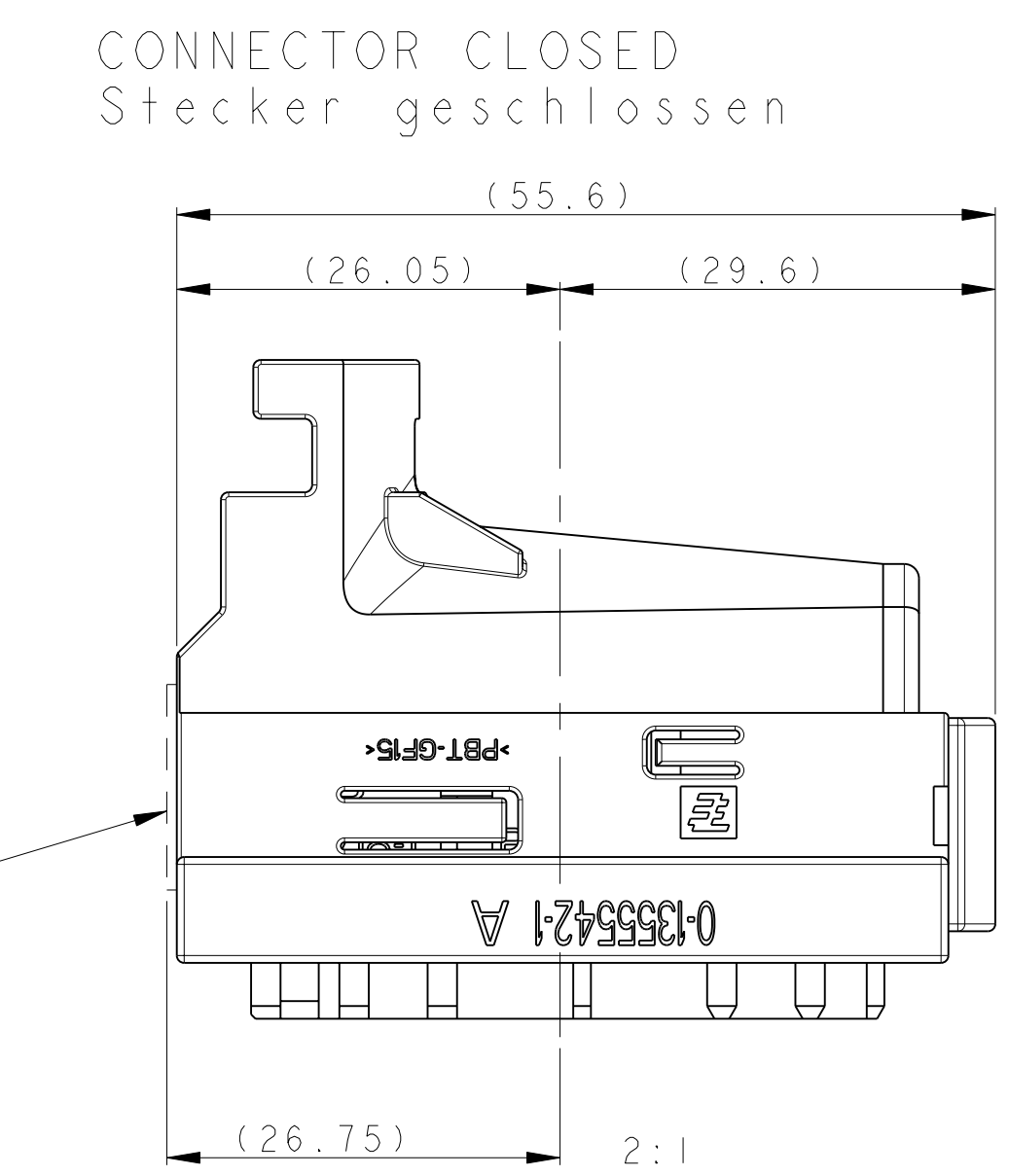
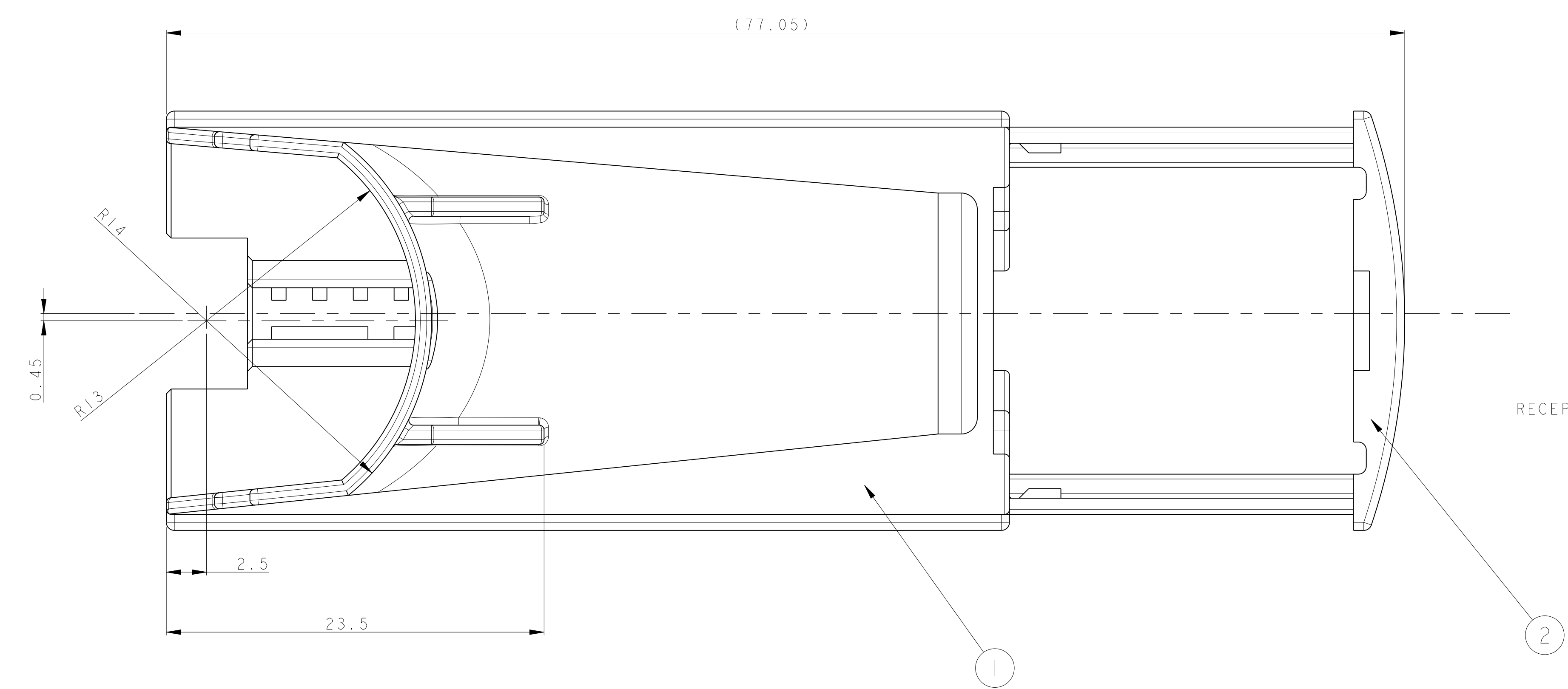


PROJEKT NO.		REVISONS	
A98-52279 B916704		DATE	APPD
B3	SEE E-08-24812	23OCT08	HSCB AM
B4	SEE E-09-023384	14JAN10	FU HS



A1	0-1355589-1	32POS MODULI PINHEADER, 90° VERSION, RIGHT, COD A
		32POS MODULI PINHEADER, 90° VERSION, LEFT, COD A
		5xTAB5.2mm+2xMODULI PINHEADER, 180° VERSION, COD A
	0-1355587-1/-2	32POS MODULI PINHEADER, 180° VERSION, COD. A AND B
	0-1241725-1	5xPQ+2xMOS RECEPTACLE HOUSING
	0-1241724-1	32POS MOS RECEPTACLE HOUSING
	114-18079	INTERFACEDRAWING FOR 5xPQ+2xMOS CONNECTOR
	114-18078	INTERFACEDRAWING FOR 32POS MOS CONNECTOR
	NUMBER	DESCRIPTION
	NUMBER	BESCHREIBUNG
	COUNTERPARTS	
	GEGENSTECKER	



- NOTES
Bemerkungen
- B4 AMP or TE-LOGO
 - AMP or TE-Logo
 - ORDER-NUMBER
 - Bestell-Nummer
 - REVISIONS-NUMBER
 - Werkzeugänderungsindex
 - GM-LOGO
 - GM-Logo
 - CAVITY MARKING
 - Nestmarkierung
 - CUSTOMER SIGN
 - Kunden-Kurzzeichen
 - PACKAGE: IN LAYERS IN CARTON
 - Verpackung: Teile lageweise im Karton
 - MATERIAL MARKING
 - Werkstoffkennzeichnung
 - PRODUCTION-DATE
 - Produktions-Datum
 - SPECIAL PACKAGE FOR RUDE TRANSPORT: 180 PIECES IN LAYERS IN CARTON
 - Spezialverpackung fuer rauhen Transport: 180 Teile lageweise im Karton
 - BEFORE MATING WITH COUNTERPART MOVE SLIDE IN PRELOCK-POSITION
 - Vor dem Stecken auf das Gegenstück zuerst den Schieber in Vorraststellung schieben

REV	QTY	DESCRIPTION	MATERIAL	SURFACE COLOR	WEIGHT	ITEM NO
B2	1	SLIDE	PA66-GF 30	RED	-	
B3	1	COVER CODING B	PBT-GF 15	BLUE	-	
B1	1	COVER CODING A	PBT-GF 15	BLACK	-	
	1	SLIDE	PA66-GF 30	RED	-	
	1	COVER CODING B	PBT-GF 15	BLUE	-	
	1	SLIDE	PA66-GF 30	RED	3,4	2
	1	COVER CODING A	PBT-GF 15	BLACK	12,1	1

TYCO ELECTRONICS CORPORATION
 DIMENSIONS: DIMENSIONS IN MILLIMETERS
 DATE: 11 JUN 09
 DRAWN BY: H. Schmitt
 CHECKED BY: H. Schmitt
 APPROVED BY: TBAPROD
 PRODUCT SPEC: AMP
 APPLICATION SPEC: AMP
 MATERIAL: PA66-GF 30
 FINISH: -
 WEIGHT: 15,5 g
 CUSTOMER DRAWING: A000779
 SCALE: 5:1
 SHEET: 1 OF 1
 REV: B4